



## PRODUCT SPECIFICATION

*Part Number*

PT322457L-TLMWU-EMR03

CUSTOMER	
CUSTOMER PART NUMBER	
DESCRIPTION	5.7" TFT LCD, RTP
APPROVED BY	
DATE	



**P-TEC**

**MODEL NO.**

PT322457L-TLMWU-EMR03

**SPEC &  
SAMPLE**

**PAGE**

2

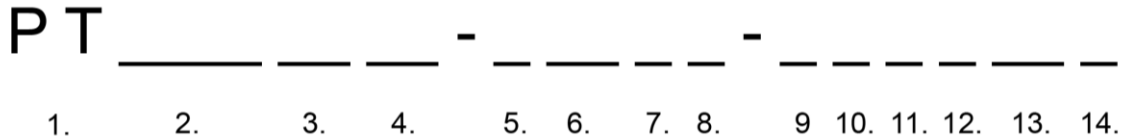
## 1. Table of Contents

<b>No.</b>	<b>Contents</b>	<b>Page</b>
1	Table of Contents	2
2	Record of Revisions	3
3	Module Numbering System	4
4	Application	5
5	Features	5
6	General Specifications	5
7	Absolute Maximum Ratings	6
8	Electrical Characteristics	7
9	Block Diagram	10
10	Input / Output Terminals Pin Assignment	11
11	Interface Timing	14
12	Optical Characteristics	16
13	Reliability Test	19
14	Packaging	20
15	Precautions	21
16	Outline Drawing	23
17	Definition of Labels	24
18	Incoming Inspection Standards	26





### 3. Module Numbering System



#### 1. P-TEC TFT

#### 8. VIEWING DIRECTION

D: 6 o'clock  
U: 12 o'clock  
F: Full Viewing Angle

#### 2. LENGTH x WIDTH PIXELS

If third character is a zero, it is removed to shorten part number. Example: 240 x 320 = PT3224

#### 9. A ~ Z CODE

Assigned by P-tec

#### 3. DIAGONAL DIMENSIONS

Example: 3.5" display = 35 in part number

#### 11. TEMPERATURE RANGE

Normal: Left Blank  
Wide: X

#### 4. PRODUCT VERSION

Series assigned by P-tec

#### 12. LUMINANCE

Blank: Normal (<300 nit)  
M: Middle (>= 300 nit)  
H: High (> 600 nit)

#### 5. LCD MODE

T: TN  
I: IPS  
V: VA

#### 13. TOUCH PANEL OPTION

No TP: Left Blank  
C: Capacitive TP  
R: Resistive TP

#### 6. POLARIZER

LM: Transmissive  
LF: Transflective

#### 14. SPECIAL CHARACTERS

Customer special requirements

#### 7. BACKLIGHT COLOR

No Backlight: Left Blank  
W: White  
B: Blue/Green  
S: Yellow/Green



#### 4. Application

This specification is applied to the 5.7 inch QVGA supported TFT-LCD module, and can display true 262,144 colors(6 bit/ color). The module is designed for OA, Car TV application and other electronic products which require flat panel display of digital signal interface. This module is composed of a 5.7”TFT-LCD panel, a driver circuit and LED backlight unit and used as the input devices for general electric appliances via both finger and pen-entry.

#### 5. Features

- QVGA (320×240 pixels) resolution.
- Digital 18 bit parallel RGB.
- Line inversion mode with stripe type.
- Both DE mode and SYNC mode are supported for digital RGB input data format.
- Transparent Touch panel
  - 4-Wire
  - Analog Resistive

#### 6. General Specifications

Item	Specifications	Unit
Screen Size	5.7 (Diagonal)	inch
Display Format	320RGB(H)×240(V)	dot
Active Area	115.2(H)×86.4(V)	mm
Dot Size	0.120(H)×0.360(V)	mm
Pixel Configuration	RGB Vertical Stripe	-
Display Mode	TN Type Transmissive Mode Normally White	-
Surface Treatment	Anti-Glare and Hard Coating(3H)	-
Viewing Direction	12 O'clock (The Gray Inversion will appear at this direction)	-
Outline Dimension	144.0(W)×104.6(H)×14.5(D)	mm
Weight	222	g
RoHS Compliance	P-tec certifies this product to be in compliance with European Union Directive 2002/95/EC on the restriction of certain hazardous substances in electrical and electronic equipment.	-

**7. Absolute Maximum Ratings****7.1 Absolute Ratings of Environment**

Item	Symbol	Value		Unit	Note
		Min.	Max.		
Storage Temperature	T <sub>ST</sub>	-30	+80	°C	(1)(3)
Operating Temperature	T <sub>OP</sub>	-20	+70	°C	(1)(2)

Note1: Background color changes slightly depending on ambient temperature.

This phenomenon is reversible.

Note2: Ta ≤ 70°C: 75%RH max.

Note3: Please refer to item of RELIABILITY.

**7.2 Electrical Absolute Ratings****7.2.1 TFT-LCD Module**

(Ta=25±2°C, GND=VSS=0V)

Item	Symbol	Value		Unit	Note
		Min.	Max.		
Digital Power Supply Voltage	VCC	-0.3	4.3	V	-

**7.2.2 Backlight Unit**

(Ta=25±2°C)

Item	Symbol	Value		Unit	Note
		Min.	Max.		
Current of Backlight Unit	I <sub>B</sub>	-	75	mA	(1)
Voltage of Backlight Unit	V <sub>B</sub>	-	30	V	(1)

Note (1) Permanent damage to the device may occur if maximum values are exceeded or reverse voltage is loaded.

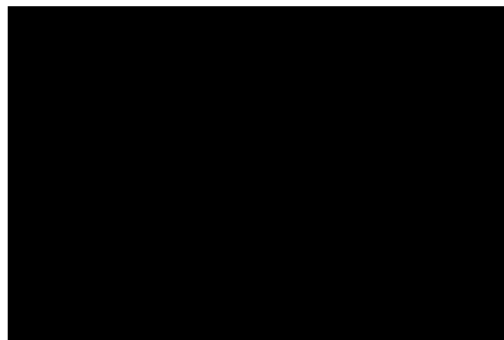
**8. Electrical Characteristics****8.1 TFT-LCD Module**

(Ta=25±2°C)

Item	Symbol	Value			Unit	Note
		Min.	Typ.	Max.		
Power Supply Voltage	VCC	3.0	3.3	3.6	V	-
Input High Threshold Voltage	VIH	0.7VCC	-	VCC	V	-
Input Low Threshold Voltage	VIL	0	-	0.3VCC	V	-
Power Consumption	PL		(0.24)		W	(1)
Frame Frequency	Fv	-	60	-	Hz	-
Dot Clock	DCLK	-	6.4	7	MHz	-

Note (1) The specified power consumption is under the conditions at VCC=3.3V, Fv=60Hz, whereas a power dissipation check pattern below is displayed.

Black Pattern / 0 Gray



Active Area

**8.2 Backlight Unit**

(Ta=25±2°C)

Item	Symbol	Value			Unit	Note
		Min.	Typ.	Max.		
Current of Backlight Unit	IB	-	60	-	mA	-
Voltage of Backlight Unit	VB	-	23.1	-	V	IB =60mA
Power Consumption	PBL	-	(1.4)	-	W	IB =60mA
LED Life Time(25°C)		40000	--	--	hr	(1)

Note (1) : Lamp life time is defined as under 25±2°C , when the average brightness decrease to 50% of original brightness



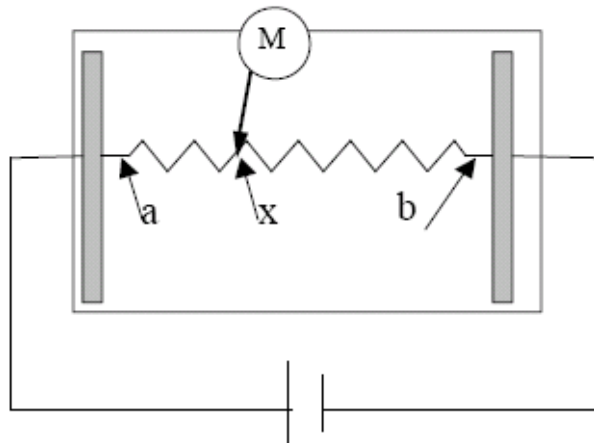
### 8.3 Transparent Touch panel

Electrical characteristics

Item		Value			Unit	Note
		Min.	Typ.	Max.		
Operating Voltage		-	5	10	V	-
Terminal Resistance	100	-	600	600	$\Omega$	At connector
	500	-	1100	500	$\Omega$	At connector
Insulation Resistance		$\geq 20M\Omega$				At DC25V
Linearity		$\leq 1.5\%$				(1)
Chatting		$\leq 10\text{ ms}$				At connector

Note(1): Measurement condition of Linearity

Linearity Definition



Va : maximum voltage in the active area of touch panel

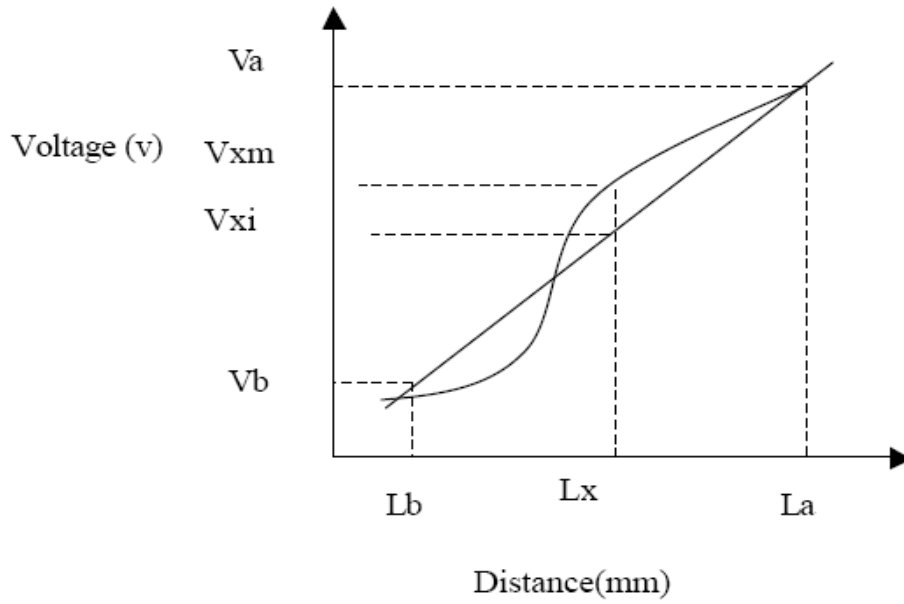
Vb: minimum voltage in the active area of touch panel

X : random measuring point

Vxm: Actual voltage of Lx point

Vxi : Theoretical voltage of Lx point

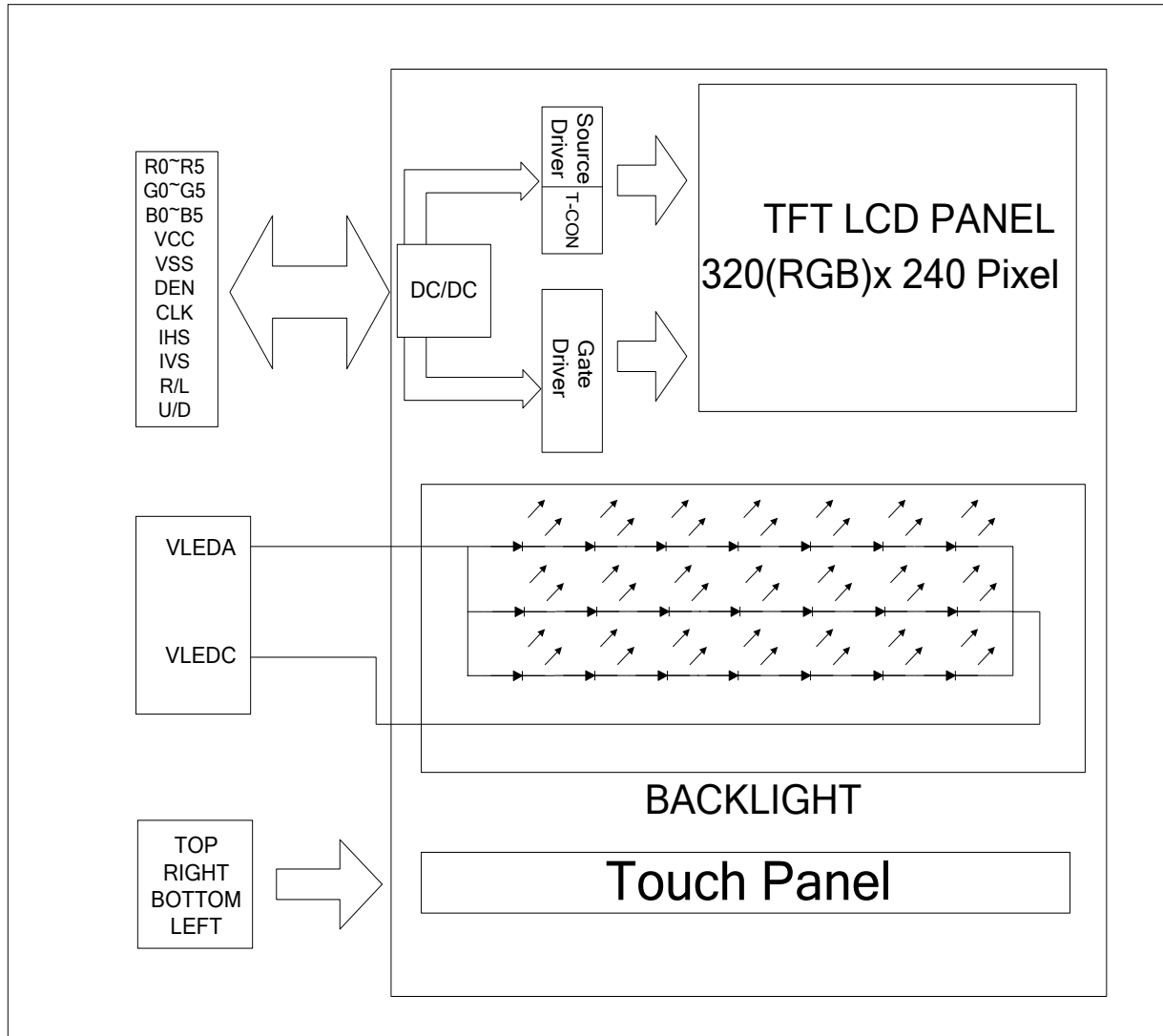




$$\text{Linearity} : [ | V_{xi} - V_{xm} | / (V_a - V_b) ] * 100\%$$



### 9. Block Diagram





## 10. Input / Output Terminals Pin Assignment

### 10.1 TFT-LCD Module

Connector: CVILUX CF25331D0R0-05

Pin No.	Symbol	I/O	Description
1	VSS	I	Ground
2	CLK	I	Clock signal
3	IHS	I	Horizontal synchronous signal
4	IVS	I	Vertical synchronous signal
5	VSS	I	Ground
6	R0	I	RED data (LSB)
7	R1	I	RED data
8	R2	I	RED data
9	R3	I	RED data
10	R4	I	RED data
11	R5	I	RED data(MSB)
12	VSS	I	Ground
13	G0	I	GREEN data(LSB)
14	G1	I	GREEN data
15	G2	I	GREEN data
16	G3	I	GREEN data
17	G4	I	GREEN data
18	G5	I	GREEN data(MSB)
19	VSS	I	Ground
20	B0	I	Blue data(LSB)
21	B1	I	Blue data
22	B2	I	Blue data
23	B3	I	Blue data
24	B4	I	Blue data
25	B5	I	Blue data(MSB)
26	VSS	I	Ground
27	DEN	I	Input data enable control
28	VCC	I	+3.3V power supply
29	VCC	I	+3.3V power supply
30	R/L	I	Right-and-Left scan setting. ("L" : Normally , "H" : Right-and-Left reversal)



Pin No.	Symbol	I/O	Description
31	U/D	I	Up/down scan setting. ("H": normal scan. "L": Up-and-Down reversal.)
32	NC	I	No connection
33	VSS	I	Ground

## 10.2 Backlight Unit

Connector: JST BHSR-02VS-1(N)

Pin No.	Symbol	I/O	Description	Wire Color
1	VLEDA	I	Backlight LED Anode.	Red
2	VLEDC	I	Backlight LED Cathode.	Black

## 10.3 Transparent Touch Panel

Connector: CVILUX CF25041D0R0-10

Pin No.	Symbol
1	TOP
2	RIGHT
3	BOTTOM
4	LEFT



### 10.4 Color Data Input Assignment

The brightness of each primary color(red, green and blue) is based on the 6 bit gray scale data input for the color. The higher the binary input, the brighter the color. The table provides the assignment of color versus data input.

Color		Data Signal																	
		Red						Green						Blue					
		D05	D04	D03	D02	D01	D00	D15	D14	D13	D12	D11	D10	D25	D24	D23	D22	D21	D20
Basic Colors	Black	0	0	0	0	0	0	0	0	0	0	0	0	0	0	0	0	0	0
	Red	1	1	1	1	1	1	0	0	0	0	0	0	0	0	0	0	0	0
	Green	0	0	0	0	0	0	1	1	1	1	1	1	0	0	0	0	0	0
	Blue	0	0	0	0	0	0	0	0	0	0	0	0	1	1	1	1	1	1
	Cyan	0	0	0	0	0	0	1	1	1	1	1	1	1	1	1	1	1	1
	Magenta	1	1	1	1	1	1	0	0	0	0	0	0	1	1	1	1	1	1
	Yellow	1	1	1	1	1	1	1	1	1	1	1	1	0	0	0	0	0	0
	White	1	1	1	1	1	1	1	1	1	1	1	1	1	1	1	1	1	1
Gray Scale Of RED	Red(0) / Dark	0	0	0	0	0	0	0	0	0	0	0	0	0	0	0	0	0	0
	Red(1)	0	0	0	0	0	1	0	0	0	0	0	0	0	0	0	0	0	0
	Red(2)	0	0	0	0	1	0	0	0	0	0	0	0	0	0	0	0	0	0
	:	:	:	:	:	:	:	:	:	:	:	:	:	:	:	:	:	:	:
	:	:	:	:	:	:	:	:	:	:	:	:	:	:	:	:	:	:	:
	Red(61)	1	1	1	1	0	1	0	0	0	0	0	0	0	0	0	0	0	0
	Red(62)	1	1	1	1	1	0	0	0	0	0	0	0	0	0	0	0	0	0
	Red(63)	1	1	1	1	1	1	0	0	0	0	0	0	0	0	0	0	0	0
Gray Scale Of Green	Green(0) / Dark	0	0	0	0	0	0	0	0	0	0	0	0	0	0	0	0	0	0
	Green(1)	0	0	0	0	0	0	0	0	0	0	1	0	0	0	0	0	0	0
	Green(2)	0	0	0	0	0	0	0	0	0	0	1	0	0	0	0	0	0	0
	:	:	:	:	:	:	:	:	:	:	:	:	:	:	:	:	:	:	:
	:	:	:	:	:	:	:	:	:	:	:	:	:	:	:	:	:	:	:
	Green(61)	0	0	0	0	0	0	1	1	1	1	0	1	0	0	0	0	0	0
	Green(62)	0	0	0	0	0	0	1	1	1	1	1	0	0	0	0	0	0	0
	Green(63)	0	0	0	0	0	0	1	1	1	1	1	1	0	0	0	0	0	0
Gray Scale Of Blue	Blue(0) / Dark	0	0	0	0	0	0	0	0	0	0	0	0	0	0	0	0	0	0
	Blue(1)	0	0	0	0	0	0	0	0	0	0	0	0	0	0	0	0	0	1
	Blue(2)	0	0	0	0	0	0	0	0	0	0	0	0	0	0	0	0	0	1
	:	:	:	:	:	:	:	:	:	:	:	:	:	:	:	:	:	:	:
	:	:	:	:	:	:	:	:	:	:	:	:	:	:	:	:	:	:	:
	Blue(61)	0	0	0	0	0	0	0	0	0	0	0	0	1	1	1	1	0	1
	Blue(62)	0	0	0	0	0	0	0	0	0	0	0	0	1	1	1	1	1	0
	Blue(63)	0	0	0	0	0	0	0	0	0	0	0	0	1	1	1	1	1	1

**11. Interface Timing****11.1 Input Signal Characteristics**

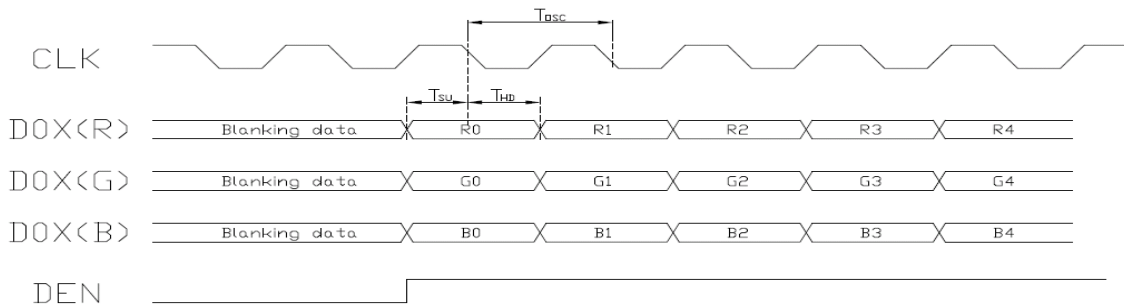
PARAMETER		Symbol	Min.	Typ.	Max.	Unit
CLK period		$T_{OSC}$	-	156	-	ns
Data setup time		$T_{SU}$	12	-	-	ns
Data hold time		$T_{HD}$	12	-	-	ns
IHS period		$T_H$	-	408	-	$T_{OSC}$
IHS pulse width		$T_{HS}$	5	30	-	$T_{OSC}$
IHS setup time		$T_{Cr}$	12	-	-	ns
IHS hold time		$T_{Cf}$	12	-	-	ns
IVS pulse width		$T_{VS}$	1	3	5	$T_H$
IVS setup time		$T_{Vr}$	12	-	-	ns
IVS hold time		$T_{Vf}$	12	-	-	$\mu$ s
IVS-DEN time	NTSC	$T_{VSE}$	-	18	-	$T_H$
	PAL	$T_{VSE}$	-	26	-	$T_H$
IHS-DEN time		$T_{HE}$	36	68	88	$T_{OSC}$
DEN pulse width		$T_{EP}$	-	320	-	$T_{OSC}$
DEN-STH time		$T_{DES}$	-	1	-	$T_{OSC}$
IVS period	NTSC	-	-	262.5	-	$T_H$
	PAL	-	-	312.5	-	$T_H$

Note: When SYNC mode is used, 1st data start from 68th CLK after IHS falling.

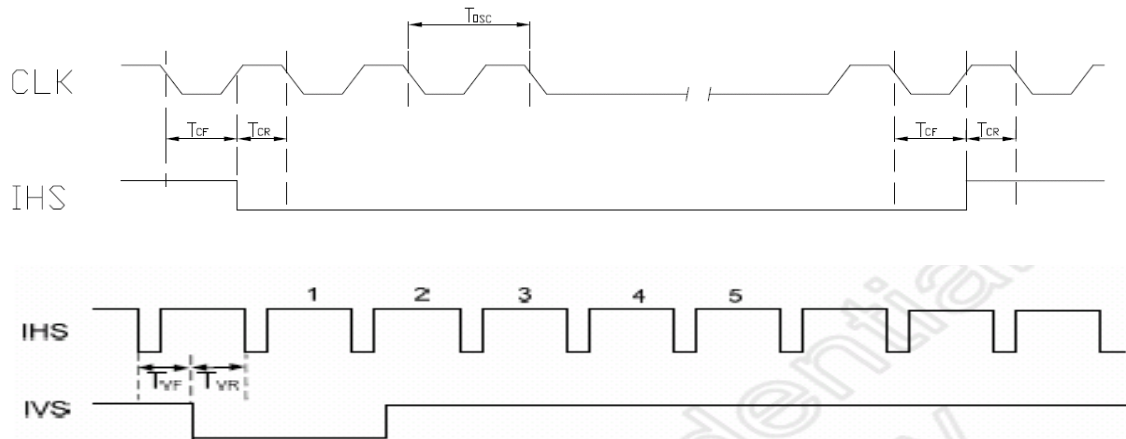


## 11.2 Waveform

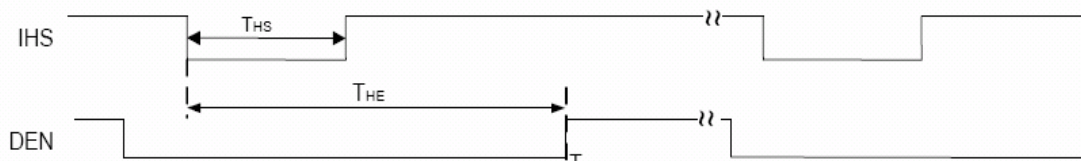
### 11.2.1 Clock and Data Waveform



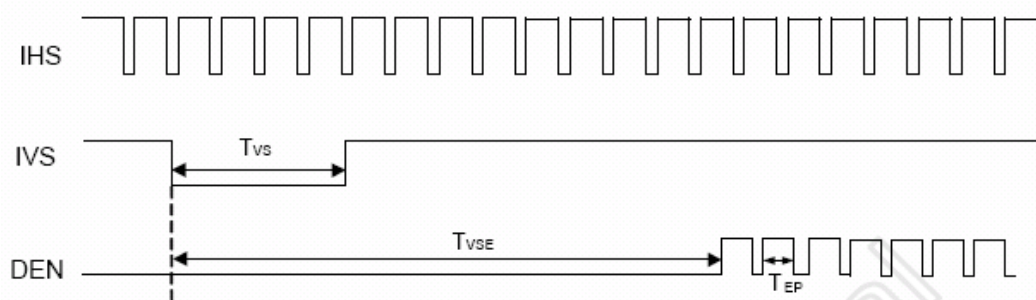
### 11.2.2 Clock and Sync waveforms



### 11.2.3 IHS and horizontal control timing waveforms



### 11.2.4 IHS and vertical control timing waveforms





## 12. Optical Characteristics

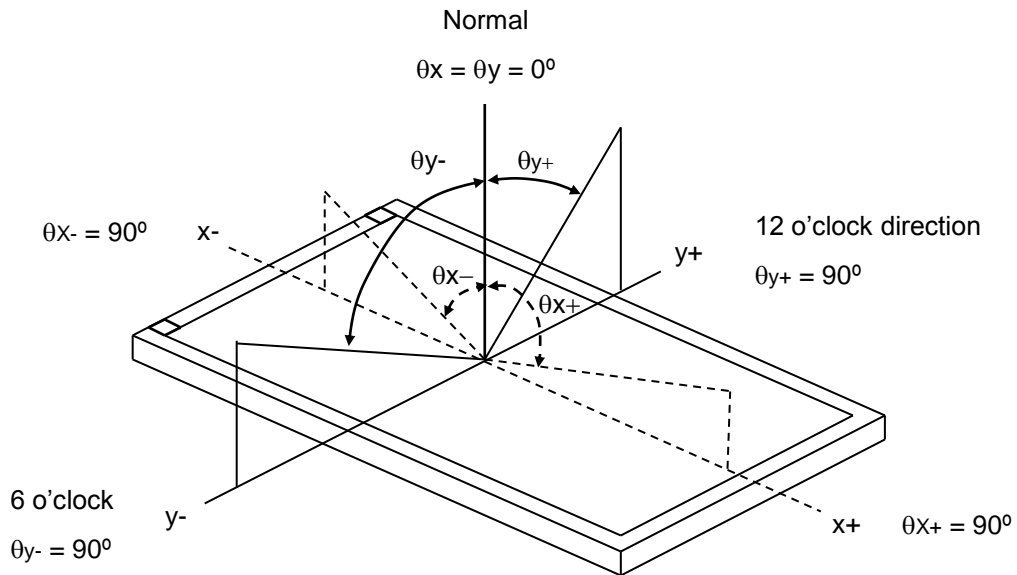
The optical characteristics should be measured in a dark environment ( $\leq 1$  lux) or equivalent state with the methods shown in Note (4).

Item		Symbol	Conditions	Min.	Typ.	Max.	Unit	Note
Contrast Ratio		CR	$\theta_x=0^\circ, \theta_y=0^\circ$ Viewing Normal Angle	300	(350)	-	-	(2)
Response Time		$T_R$		-	15	-	ms	(3)
		$T_F$		-	35	-	ms	
Luminance(Center)		Y		300	(360)	-	cd/m <sup>2</sup>	(4)
Brightness uniformity		BUNI		80	(85)	-	%	(5)
Color Chromaticity	Red	Rx		0.581	0.631	0.681	-	(1),(4)
		Ry		0.297	0.347	0.397	-	
	Green	Gx		0.268	0.318	0.368	-	
		Gy		0.551	0.601	0.651	-	
	Blue	Bx		0.092	0.142	0.192	-	
		By	0.052	0.092	0.142	-		
	White	Wx	0.263	0.313	0.363	-		
		Wy	0.295	0.345	0.395	-		
Viewing Angle	Horizontal	$\theta_{x+}$	$CR \geq 10$	55	(60)	-	deg.	
		$\theta_{x-}$		55	(60)	-		
	Vertical	$\theta_{y+}$		45	(55)	-		
		$\theta_{y-}$		35	(50)	-		





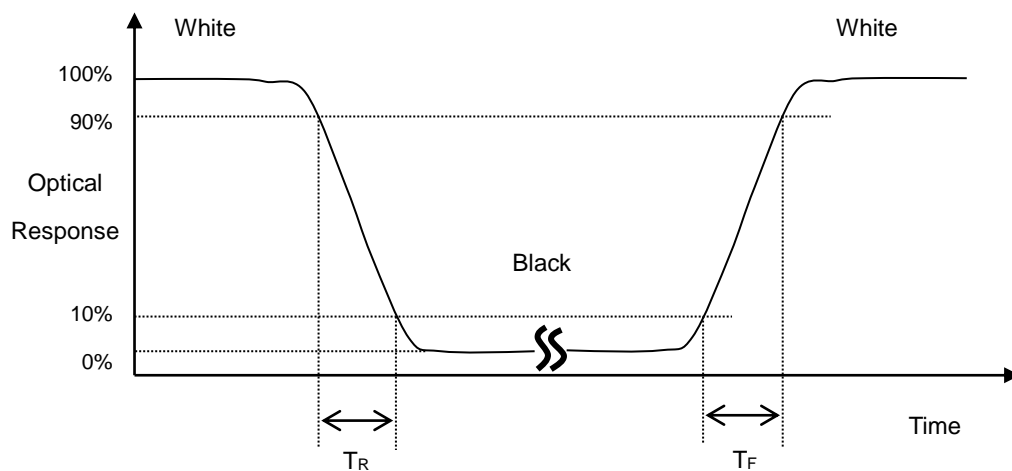
Note (1) Definition of Viewing Angle ( $\theta_x, \theta_y$ ):



Note (2) Definition of Contrast Ratio (CR):

$$\text{Contrast ratio (CR)} = \frac{\text{Luminance measured when LCD on the "White" state}}{\text{Luminance measured when LCD on the "Black" state}}$$

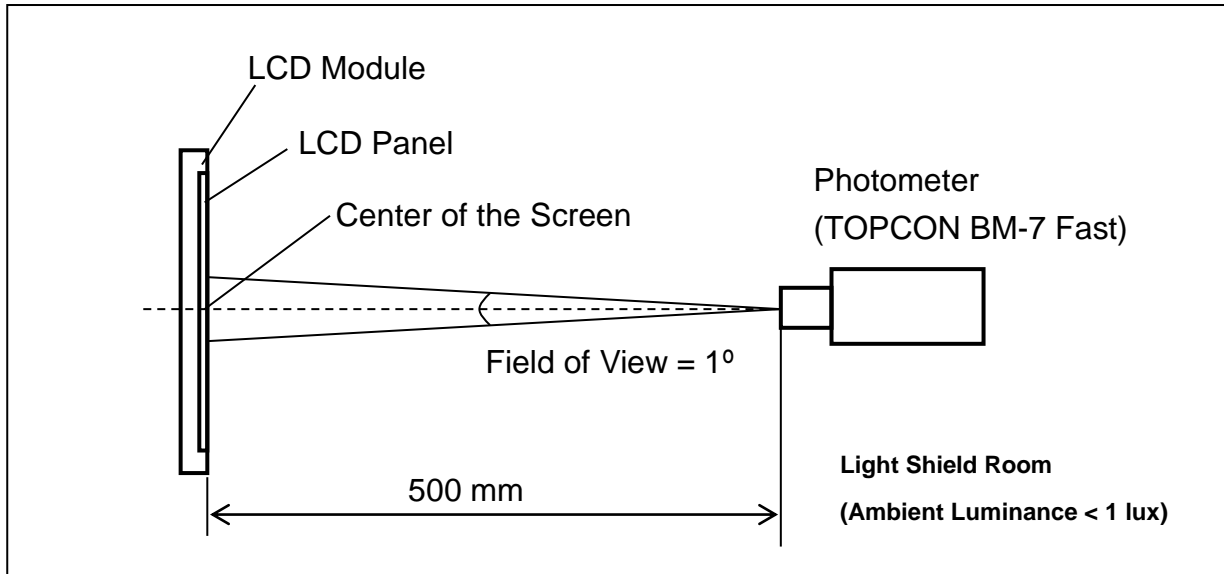
Note (3) Definition of Response Time ( $T_R, T_F$ ):





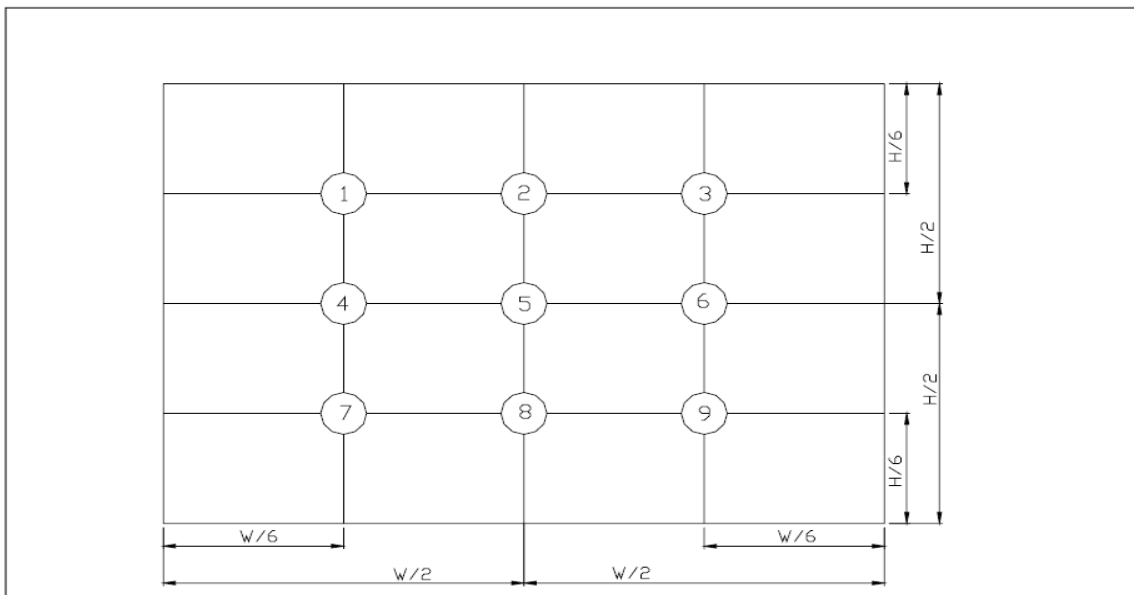
**Note (4) Measurement Set-Up:**

The LCD module should be stabilized at a given temperature for 30 minutes to avoid abrupt temperature change during measuring. In order to stabilize the luminance, the measurement should be executed after lighting Backlight for 30 minutes in a windless room.



**Note (5) Definition of brightness uniformity**

$$\text{Brightness uniformity} = (\text{Min Luminance of 9 points}) / (\text{Max Luminance of 9 points}) \times 100\%$$



( 單位 : mm )

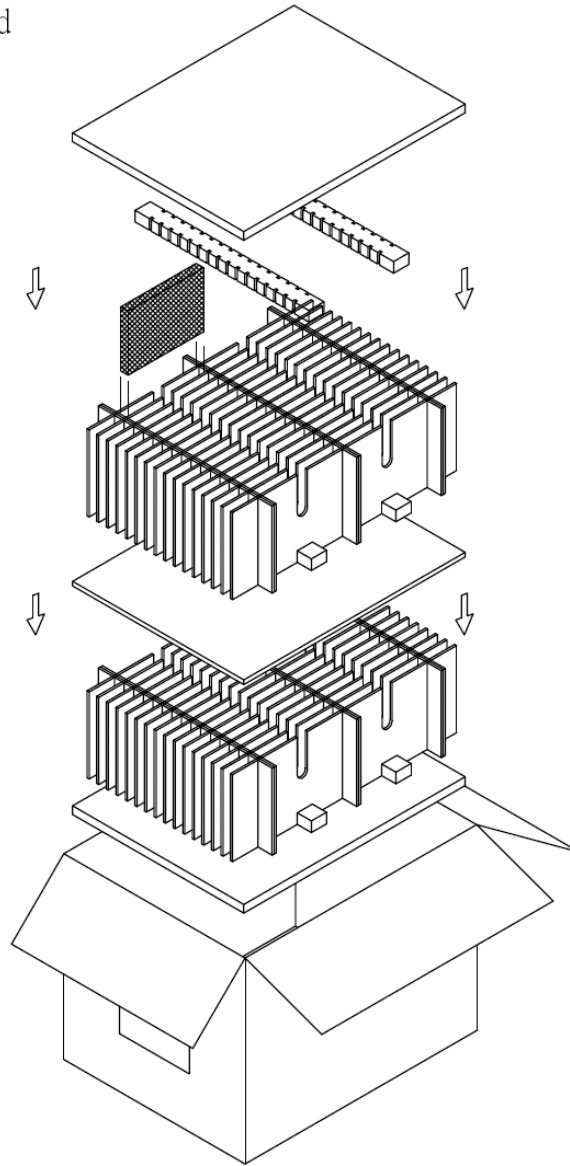
**13. Reliability Test**

No.	Test Items	Test Condition	Remark
1	High Temperature Storage Test	T <sub>a</sub> = 80°C 240 hours	-
2	Low Temperature Storage Test	T <sub>a</sub> = -30°C 240 hours	-
3	High Temperature Operation Test	T <sub>a</sub> = 70°C 240 hours	-
4	Low Temperature Operation Test	T <sub>a</sub> = -20°C 240 hours	-
5	High Temperature and High Humidity Operation Test	T <sub>a</sub> =60°C 90%RH 240 hours	-
6	Electro Static Discharge Test (non-operating)	-Panel Surface/Top Case : 150pF, 330Ω Air: ±15kV, Contact: ±8kV	-
7	Mechanical Shock Test (non-operating)	Half sine wave, 100G, 6ms 3 times shock of each six surfaces	-
8	Vibration Test (non-operating)	Sine wave, 10 ~ 55 ~ 10Hz, 3 axis, 2 hours/axis	-
9	Thermal Shock Test (non-operating)	-20°C(30min) ~ 70°C(30min), 100 cycles	-
10	Drop Test(with Carton) (non-operating)	Height: 80cm 1 corner, 3 edges, 6 surfaces	-



### 14. Packaging

Packing Method



#### PARTS LIST

	ITEM	SIZE(LxWxH) unit:mm	MATERIAL	Q.T.Y	NOTE
1	STATIC SHIEDING BAGS	200.0x145.0*0.09		60	
2	PU FOAM	440.0x340.0x15.0	SPONGE	2	
3	EPE PAD	345.0x30.0x20.0		8	
4	CARD BOARD	345.0x150.0(16 7J)	CARTON	12	
5	CARD BOARD	450.0x150.0(3 7J)	CARTON	32	
6	CARD BOARD	440.0x340.0x8.0	CARTON	1	
7	EXTERNAL BOX	460.0x360.0x355.0	CARTON	1	
8	PRODUCT	144.0x104.6x14.5		60	



## 15. Precautions

### 15.1 Assembly and Handling Precautions

- (1) Do not apply rough force such as bending or twisting to the module during assembly.
- (2) It's recommended to assemble or to install a module into the user's system in clean working areas. The dust and oil may cause electrical short or worsen the polarizer.
- (3) Don't apply pressure or impulse to the module to prevent the damage of LCD panel and Backlight.
- (4) Always follow the correct power-on sequence when the LCD module is turned on. This can prevent the damage and latch-up of the CMOS LSI chips.
- (5) Do not plug in or pull out the I/F connector while the module is in operation.
- (6) Do not disassemble the module.
- (7) Use a soft dry cloth without chemicals for cleaning, because the surface of polarizer is very soft and easily scratched.
- (8) Moisture can easily penetrate into LCD module and may cause the damage during operation.
- (9) High temperature or humidity may deteriorate the performance of LCD module. Please store LCD module in the specified storage conditions.
- (10) When ambient temperature is lower than 10°C, the display quality might be reduced. For example, the response time will become slow.

### 15.2 Safety Precautions

- (1) If the liquid crystal material leaks from the panel, it should be kept away from the eyes or mouth. In case of contact with hands, skin or clothes, it has to be washed away thoroughly with soap.
- (2) After the module's end of life, it is not harmful in case of normal operation and storage.

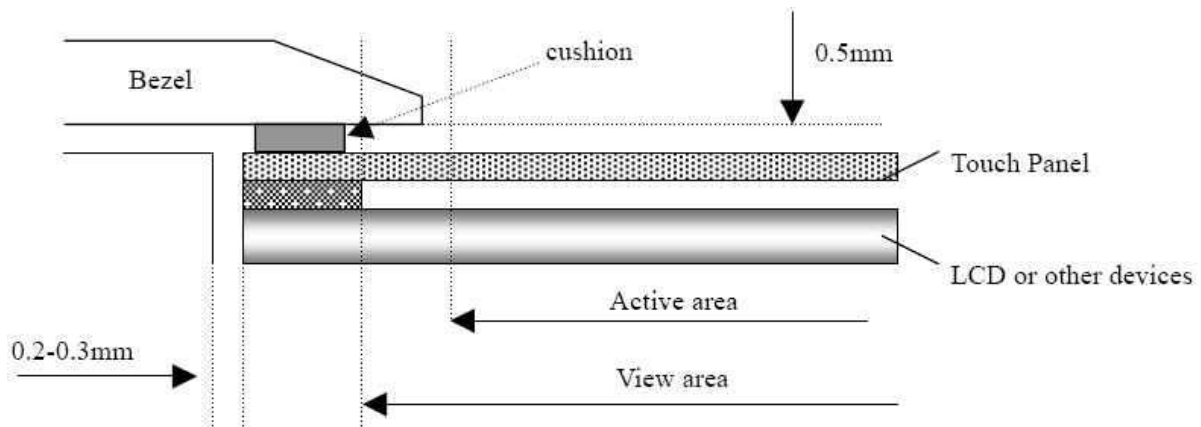
### 15.3 Terms of Warrant

- (1) Acceptance inspection period  
The period is within one month after the arrival of contracted commodity at the buyer's factory site.
- (2) Applicable warrant period  
The period is within twelve months since the date of shipping out under normal using and storage conditions.



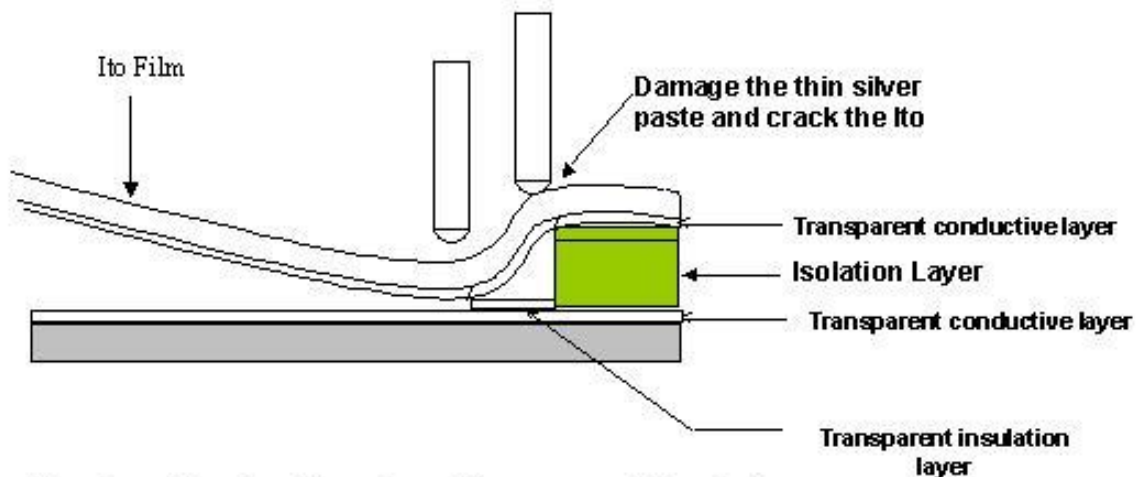
### 15.4 Cautions for installing and assembling

Bezel edge must be positioned in the area between the Active area and View area.  
The bezel may press the touch screen and cause activation if the edge touches the active area. A gap of approximately 0.5mm is needed between the bezel and the top electrode. It may cause unexpected activation if the gap is too narrow. There is a tolerance of 0.2 to 0.3mm for the outside dimensions of the touch panel and tail. A gap must be made to absorb the tolerance in the case and connector.



### 15.5 Operation Prohibit

#### Not Suggested Pen Input Position On Touch Panel



**Pen input load on the edge of transparent insulation area might damage the ITO of ITO Pet- Film and reduce the durability of touch panel**



**P-TEC**

**MODEL NO.**

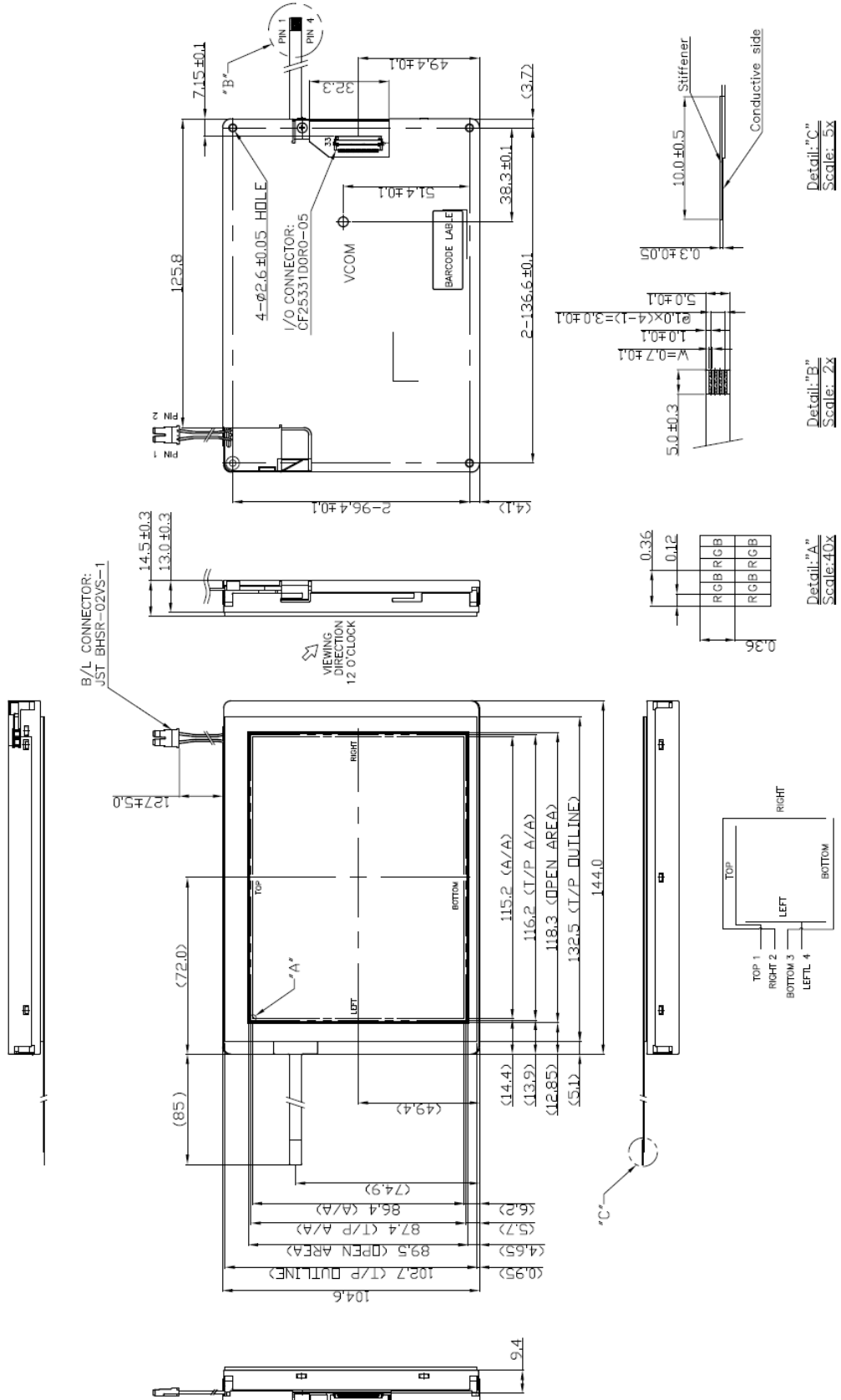
PT322457L-TLMWU-EMR03

**SPEC &  
SAMPLE**

**PAGE**

23

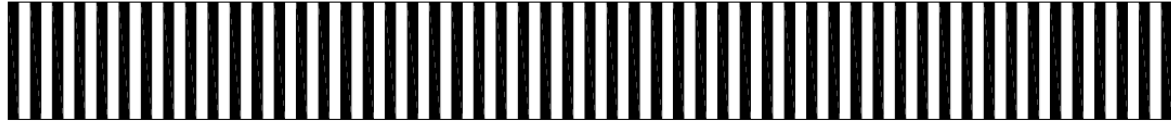
### 16.Outline Drawing





### 17. Definition of Labels

The bar code nameplate is pasted on each module as illustration, and its definitions are as following explanation.



PT322457L-TLMWU-EMR03

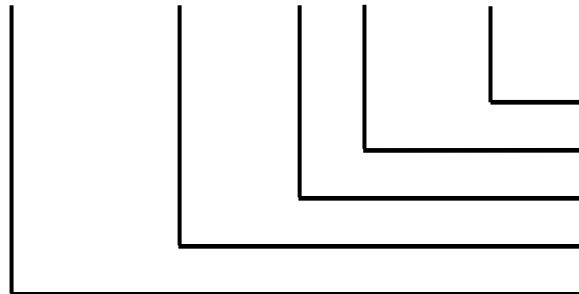


ABCDEFGHIJKLM

(a) Module Name: PT322457L-TLMWU-EMR03

(b) Serial ID:

A B C D E F G H I J K L M



Serial No.  
Revision Code  
Factory Code  
Manufactured Date  
Screen Size

Serial ID includes the information as below:

(a) Screen size (Diagonal): Inch Code (ABCD)

3.5" → 0350

10.4" → 1040

(b) Manufactured Date: Year, Month, Day (EFG)

Year (E)

Year	2000	2001	2002	2003	2004	2005	2006	2007	2008	2009
Mark	0	1	2	3	4	5	6	7	8	9
Year	2010	2011	2012	2013	2014	2015	2016	2017	2018	2019
Mark	A	B	C	D	E	F	G	H	I	J





Month (F)

Month	Jan.	Feb.	Mar.	Apr.	May	Jun.	Jul.	Aug.	Sep.	Oct.	Nov.	Dec.
Mark	1	2	3	4	5	6	7	8	9	A	B	C

Day (G)

Day	1	2	3	4	5	6	7	8	9	10	11	12	13	14	15	16
Mark	1	2	3	4	5	6	7	8	9	A	B	C	D	E	F	G
Day	17	18	19	20	21	22	23	24	25	26	27	28	29	30	31	
Mark	H	I	J	K	L	M	N	O	P	Q	R	S	T	U	V	

(c) Factory Code (H):

For P-TEC internal use.

(d) Revision Code (I):

Cover all the change, for example: 1: Rev.1, 2: Rev.2, 3: Rev.3...etc.

(e) Serial No. (JKLM):

Manufacturing sequence of product, for example: 0001~9999.

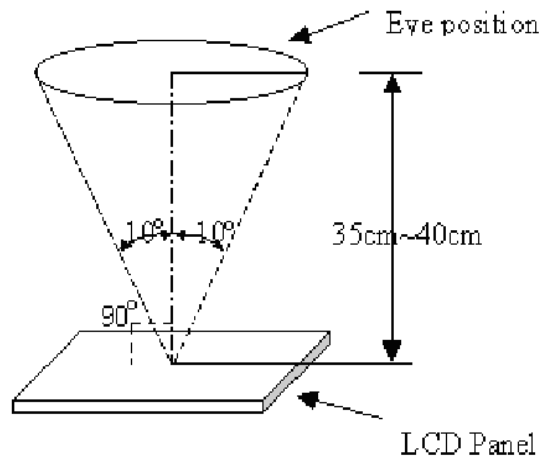


## 18. Incoming Inspection Standards

### 18.1 The environmental condition of inspection

The environmental condition and visual inspection shall be conducted as below.

- (1) Ambient temperature  $25 \pm 5^{\circ}\text{C}$
- (2) Humidity:  $60 \pm 5\% \text{ RH}$
- (3) Viewing distance is approximately 35 ~ 40 cm
- (4) Viewing angle is normal to the LCD panel as Fig\_1( $10^{\circ}$ )
- (5) Ambient Illumination: 300 ~ 500 Lux for external appearance inspection



Fig\_1

### 18.2 The defects classify of AQL as following:

Class of defects	AQL	Definition
Major	0.65%	It is defect that is likely to result in failure or to reduce materially the usability of the intended function.
Minor	1.5%	It is a defect that will not result in functioning problem with deviation classified.



**18.3 Inspection Parameters**

Item		Specification/Description			Note	
Display	Function	No Display			-	
		Malfunction			-	
Operating	Contrast ratio	Out of Spec			-	
	Line defect	No obvious Vertical and Horizontal line defect in bright , dark and colored.			-	
	Point Defect (red,green,blue,dark, white)	Item	Acceptable number			Note: 1、4、 5、6
			A	B	Total	
		BRIGHT DOT	$N \leq 2$	$N \leq 2$	$N \leq 7$	
		DARK DOT	$N \leq 3$	$N \leq 4$		
		TOTAL DOT	$N \leq 4$	$N \leq 5$		
TWO ADJACENT DOT		NOT ALLOWED				
THREE OR MORE ADJACENT DOT	NOT ALLOWED					
External Inspection (non-operating)	Scratch on the polarizer	L(mm)	W(mm)	Acceptable number	Note:2	
		$L \leq 2.5$	$W \leq 0.1$	4		
		$L > 2.5$	$W > 0.1$	0		
	Dent or bubble on the polarizer	Dimension(mm)		Acceptable number		Note:3
		$D \leq 0.5$		4		
		$D \leq 0.15$		Disregard		
	Foreign material on the polarizer	Dimension(mm)		Acceptable number		Note:3
		$D \leq 0.5$		4		
		$D \leq 0.15$		Disregard		



**P-TEC**

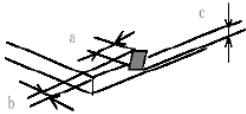
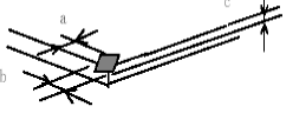

**MODEL NO.**

**PAGE**

PT322457L-TLMWU-EMR03

**SPEC &  
SAMPLE**

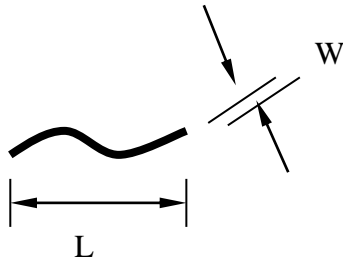
28

Item		Specification/Description			Note
Touch Panel	Scratch	L(mm)	W(mm)	Acceptable number	Note:2
		$L \leq 10$	$W < 0.05$	Disregard	
			$0.05 \leq W < 0.1$	$N \leq 4$	
			$W \geq 0.1$	0	
	Foreign Materials (Linear shape)	$L \leq 10$	$W < 0.05$	Disregard	Note:2
			$0.05 \leq W < 0.1$	$N \leq 3$	
			$W \geq 0.1$	0	
	Foreign Materials (Circular shape)	Dimension(mm)		Acceptable number	Note:3
		$D \leq 0.25$		Disregard	
		$0.25 < D \leq 0.5$		$N \leq 6$	
Glass chipping				$a \leq 5\text{mm}$ $b \leq 3\text{mm}$ $c \leq t$ (t : Glass think)	Note:7
				$a \leq 3\text{mm}$ $b \leq 3\text{mm}$ $c \leq t$ (t : Glass think)	Note:7
Newton-ring	(In case of doubtful situations) Observe on $60^\circ$ from the product surface under a white Fluorescent lamp(3-wavelength lamp).	Average diameter $\leq 1/3$ Touch Panel area Disregard.		Note:7	
Membrane Drum				$H \leq 0.35\text{mm}$	



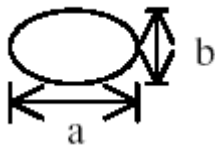
Note1. The definition of dot defect : The dot defect was judged after repair and the size of a defective dot over 1/2 of whole dot is regarded as one defective dot.

Note2.

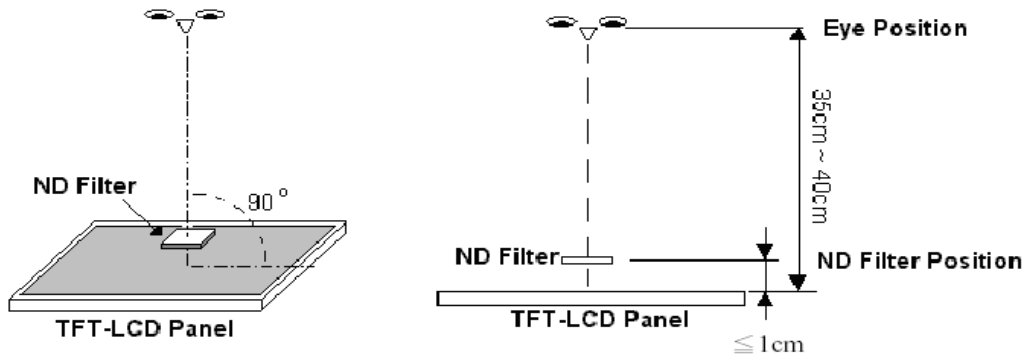


Note3. D : Diameter  $D=(a+b)/2$

Note3. D : Diameter  $D=(a+b)/2$



Note4. Bright dot is defined through 6% transmission ND Filter as following.

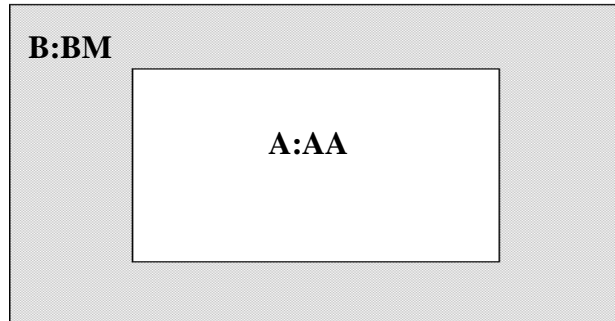


Note5. ADJACENT DOT

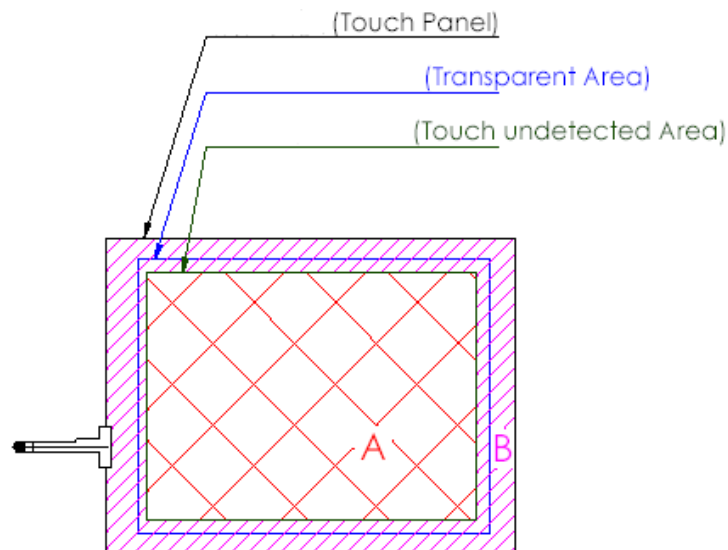




Note6.



Note7.



A area : Without any defect point effect on normal operation.

B area : None-specify

## 18.4 Handling of LCM

- (1) Don't give external shock.
- (2) Don't apply excessive force on the surface.
- (3) Liquid in LCD is hazardous substance. Must not lick and swallow. when the liquid is attach to your hand, skin, cloth etc. Wash it out thoroughly and immediately.
- (4) Don't operate it above the absolute maximum rating.
- (5) Don't disassemble the LCM.