

Electrical Characteristics

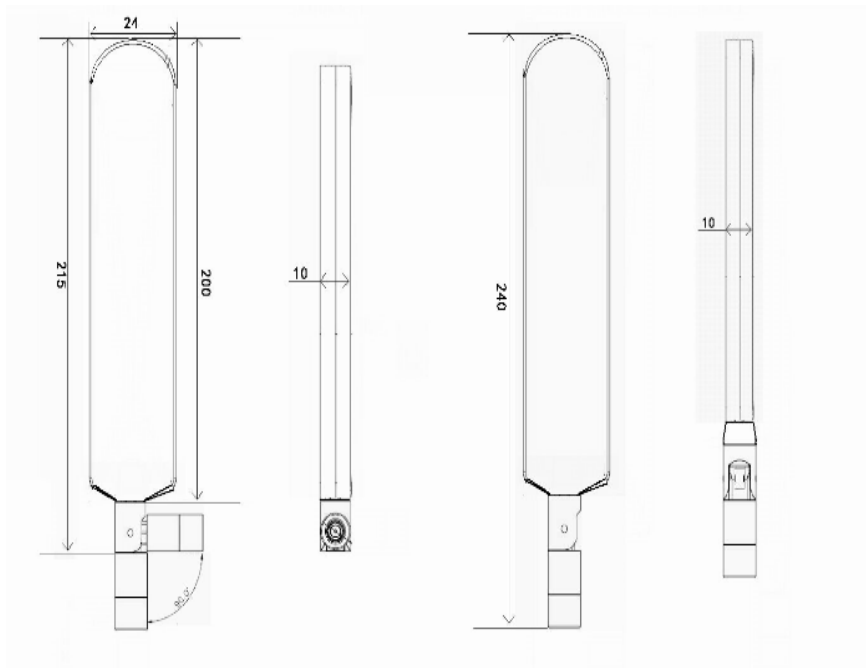


Parameters		Specification	Unit
Frequency Range		600 ~ 2700 1575.42	MHz
VSWR, max		1.7	-
Impedance		50	Ω
Power		50	W
Gain		7	dBi
Return Loss, vertical	836 MHz	5.51	dB
	1880 MHz	5.88	
Polarization		Vertical	-
Operating Temperature Range		-40 ~ +60	$^{\circ}\text{C}$
Storage Temperature Range		-45 ~ +85	$^{\circ}\text{C}$

Mechanical Characteristics

Parameters		Specification	Unit
Dimensions		240 x 25	mm
Connector Type		SMA	-
Color		Black	-
Weight		25	g

Dimensions



May, 2016