

TMP117x High-Accuracy, Low-Power, Digital Temperature Sensor With SMBus™- and I²C-Compatible Interface

1 Features

- TMP117 High Accuracy Temperature Sensor
 - $\pm 0.1^{\circ}\text{C}$ (Maximum) From 25°C to $+50^{\circ}\text{C}$
 - $\pm 0.2^{\circ}\text{C}$ (Maximum) From -40°C to $+125^{\circ}\text{C}$
 - $\pm 0.3^{\circ}\text{C}$ (Maximum) From -55°C to $+150^{\circ}\text{C}$
- TMP117M Medical Temperature Sensor
 - $\pm 0.1^{\circ}\text{C}$ (Maximum) From 30°C to $+45^{\circ}\text{C}$
- TMP117N Industrial Temperature Sensor
 - $\pm 0.2^{\circ}\text{C}$ (Maximum) From -40°C to $+125^{\circ}\text{C}$
- Temperature Operating Range: -55°C to $+150^{\circ}\text{C}$
- Low Power Consumption:
 - $3.5\text{-}\mu\text{A}$, 1-Hz Conversion Cycle
 - 250-nA Shutdown Current
- Supply Range: 1.8 V to 5.5 V
- 16-Bit Resolution: 0.0078°C (1 LSB)
- Programmable Temperature Alert Limits
- Digital Offset for System Correction
- General-Purpose EEPROM: 48 Bits
- NIST Traceability
- SMBus™, I²C Interface Compatibility

2 Applications

- Medical Grade: Meets ASTM E1112 and ISO 80601-2-56
- Environmental Monitoring and Thermostats
- Wearables
- Asset Tracking and Cold Chain
- Gas Meters and Heat Meters
- Test and Measurement
- RTDs Replacement: PT100, PT500, PT1000
- Cold-Junction Compensation of Thermocouples

3 Description

The TMP117 is a high-precision digital temperature sensor. It is designed to exceed ASTM E1112 requirements for electronic patient thermometers. The TMP117 provides a 16-bit temperature result with a resolution of 0.0078°C and an accuracy of up to $\pm 0.1^{\circ}\text{C}$ across the temperature range of 25°C to 50°C with no calibration. The TMP117 is I²C- and SMBus™-interface compatible, has programmable alert functionality, and can support up to four devices on a single bus. Integrated EEPROM is included for device programming with an additional 48-bits memory available for general use.

The low power consumption of the TMP117 minimizes the impact of self-heating on measurement accuracy. The TMP117 operates from 1.8 V to 5.5 V and typically consumes $3.5\ \mu\text{A}$.

For non-medical applications, the TMP117 can serve as a single chip digital alternative to a Platinum RTD. With an accuracy of $\pm 0.2^{\circ}\text{C}$ accuracy from -55°C to 150°C , the TMP117 offers comparable if not better accuracy than can be achieved with a Class A RTD, while only using a fraction of the power of the power typically needed for a PT100 RTD. The TMP117 simplifies the design effort by removing many of the complexities of RTDs such as precision references, matched traces, complicated algorithms, and calibration.

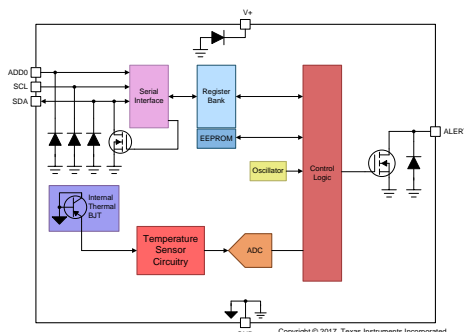
The TMP117 units are 100% tested on a production setup that is NIST traceable and verified with equipment that is calibrated to ISO/IEC 17025 accredited standards.

Device Information⁽¹⁾

PART NUMBER	PACKAGE	BODY SIZE (NOM)
TMP117	WSON (6)	2.00 mm x 2.00 mm
	DSBGA (6)	1.00 mm x 1.60 mm

(1) For all available packages, see the package option addendum at the end of the data sheet.

Functional Block Diagram



Temperature Accuracy

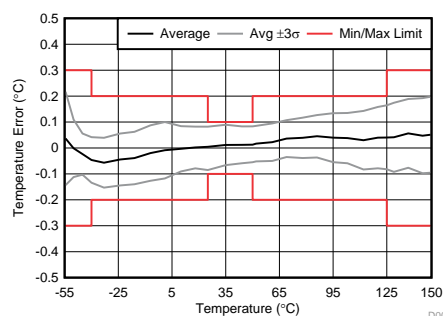


Table of Contents

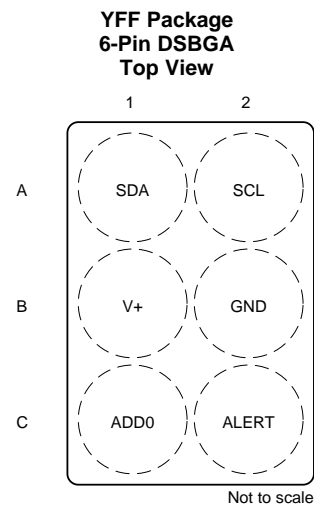
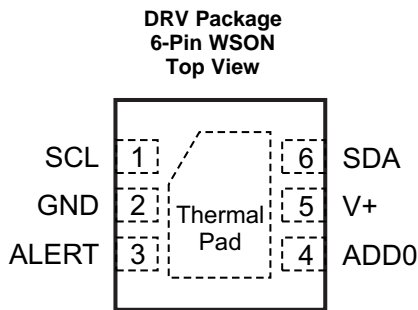
1 Features	1	7.4 Device Functional Modes	11
2 Applications	1	7.5 Programming	15
3 Description	1	7.6 Registers Map	22
4 Revision History	2	8 Application and Implementation	31
5 Pin Configuration and Functions	3	8.1 Application Information	31
6 Specifications	4	9 Power Supply Recommendations	36
6.1 Absolute Maximum Ratings	4	10 Layout	36
6.2 ESD Ratings	4	10.1 Layout Guidelines	36
6.3 Recommended Operating Conditions	4	10.2 Layout Example	37
6.4 Thermal Information	4	11 Device and Documentation Support	38
6.5 Electrical Characteristics	4	11.1 Documentation Support	38
6.6 Switching Characteristics	5	11.2 Receiving Notification of Documentation Updates	38
6.7 Two-Wire Interface Timing	6	11.3 Community Resources	38
6.8 Typical Characteristics	7	11.4 Trademarks	38
7 Detailed Description	9	11.5 Electrostatic Discharge Caution	38
7.1 Overview	9	11.6 Glossary	38
7.2 Functional Block Diagrams	9	12 Mechanical, Packaging, and Orderable Information	38
7.3 Feature Description	9		

4 Revision History

NOTE: Page numbers for previous revisions may differ from page numbers in the current version.

DATE	REVISION	NOTES
June 2018	*	Initial release.

5 Pin Configuration and Functions



Pin Functions

NAME	PIN		TYPE	DESCRIPTION
	WSON	DSBGA		
ADD0	4	C1	I	Address select. Connect to GND, V+, SDA, or SCL.
ALERT	3	C2	O	Overtemperature alert or data-ready signal. Open-drain output; requires a pullup resistor.
GND	2	B2	—	Ground
SCL	1	A2	I	Serial clock
SDA	6	A1	I/O	Serial data. Open-drain output; requires a pullup resistor.
V+	5	B1	I	Supply voltage: 1.8 V to 5.5 V

6 Specifications

6.1 Absolute Maximum Ratings

		MIN	MAX	UNIT
Supply voltage	V+	-0.3	6	V
Voltage at	SCL, SDA, ALERT and ADD0	-0.3	6	V
Operating junction temperature, T _J		-55	150	°C
Storage temperature, T _{stg}		-65	150	°C

6.2 ESD Ratings

		VALUE	UNIT
V _(ESD) Electrostatic discharge	Human-body model (HBM), per ANSI/ESDA/JEDEC JS-001 ⁽¹⁾	±2000	V
	Charged-device model (CDM), per JEDEC specification JESD22-C101 ⁽²⁾	±1000	

(1) JEDEC document JEP155 states that 500-V HBM allows safe manufacturing with a standard ESD control process.

(2) JEDEC document JEP157 states that 250-V CDM allows safe manufacturing with a standard ESD control process.

6.3 Recommended Operating Conditions

		MIN	NOM	MAX	UNIT
V+	Supply voltage	1.8	3.3	5.5	V
T _A	Operating free-air temperature	-55		150	°C

6.4 Thermal Information

THERMAL METRIC ⁽¹⁾		TMP116	UNIT
		DRV (WSON)	
		6 PINS	
R _{θJA}	Junction-to-ambient thermal resistance	68.7	°C/W
R _{θJC(top)}	Junction-to-case (top) thermal resistance	70.3	°C/W
R _{θJC(bot)}	Junction-to-case (bottom) thermal resistance	9.5	°C/W
R _{θJB}	Junction-to-board thermal resistance	38.3	°C/W
ψ _{JT}	Junction-to-top characterization parameter	1.7	°C/W
ψ _{JB}	Junction-to-board characterization parameter	38.6	°C/W

(1) For more information about traditional and new thermal metrics, see the *IC Package Thermal Metrics* application report, [SPRA953](#).

6.5 Electrical Characteristics

minimum and maximum specifications are over -55°C to 150°C and V+ = 1.8 V to 5.5 V (unless otherwise noted); typical specifications are at T_A = 25°C and V+ = 3.3 V.

PARAMETER	TEST CONDITIONS		MIN	TYP	MAX	UNIT
TEMPERATURE TO DIGITAL CONVERTER						
Temperature accuracy ⁽¹⁾	TMP117M	30°C to 45°C	-0.1	±0.05	0.1	°C
		0°C to 85°C	-0.2	±0.1	0.2	
	TMP117	25°C to 50°C	-0.1	±0.05	0.1	
		-55°C to 150°C	-0.2	±0.1	0.2	
	TMP117N	-55°C to 150°C	-0.2	±0.1	0.2	
DC power supply sensitivity	One-shot mode, 8 Averages, T _A = +25°C				10	m°C/V
Temperature resolution (LSB)					7.8125	m°C
Repeatability ⁽²⁾	⁽¹⁾				±1	LSB
Long-term stability and drift	300 hours at 150°C ⁽³⁾				±0.02	°C

(1) V+ = 3.3 V, 8 Averages, 1Hz sampling

(2) Repeatability is the ability to reproduce a reading when the measured temperature is applied consecutively, under the same conditions.

(3) Long term stability is determined using accelerated operational life testing at a junction temperature of 150°C.

Electrical Characteristics (continued)

minimum and maximum specifications are over -55°C to 150°C and V+ = 1.8 V to 5.5 V (unless otherwise noted); typical specifications are at T_A = 25°C and V+ = 3.3 V.

PARAMETER		TEST CONDITIONS	MIN	TYP	MAX	UNIT
Temperature cycling and hysteresis ⁽⁴⁾		8 Averages		±1		LSB
DIGITAL INPUT/OUTPUT						
Input capacitance				4		pF
V _{IH}	Input logic high level		0.7 (V+)			V
V _{IL}	Input logic low level				0.3 (V+)	V
I _{IN}	Input current		-0.1		0.1	μA
V _{OLS}	SDA output logic low level	I _{OL} = -3 mA	0		0.4	V
V _{OLA}	$\overline{\text{ALERT}}$ output logic low level	I _{OL} = -3 mA	0		0.4	V
POWER SUPPLY						
I _Q	Quiescent current	Active Conversion, serial bus inactive		135	220	μA
I _Q	Quiescent current	Duty cycle 1 Hz, averaging mode off, serial bus inactive		3.5	4.5	μA
		Duty cycle 1 Hz, 8 averages mode, serial bus inactive		16	22	
		Duty cycle 1 Hz, averaging mode off, serial bus active, SCL frequency = 400 kHz		15		
I _{SB}	Standby current ⁽⁵⁾	Serial bus inactive, SCL and SDA = V+		1.25	2.1	μA
I _{SD}	Shutdown current	Serial bus inactive, SCL and SDA = V+, 25°C		0.15	0.5	μA
		Serial bus inactive, SCL and SDA = V+, 125°C			4	μA
		Serial bus active, SCL frequency = 400 kHz		17		μA
I _{EE}	EEPROM write quiescent current	ADC conversion off; serial bus inactive		240		μA
V _{POR}	Power-on-reset threshold voltage	Supply going up		1.6		V
	Brownout detect	Supply going down		1.1		V
	Reset Time	Time required by device to reset		1.5		ms
	Conversion time	One-shot mode	13.5	15.5	17	ms

(4) Hysteresis is defined as the ability to reproduce a temperature reading as the temperature varies from room → hot → room → cold → room. The temperatures used for this test are -40°C, 25°C, and 150°C.

(5) Quiescent current between conversions

6.6 Switching Characteristics

minimum and maximum specifications are over -55°C to 150°C and V+ = 1.8 V to 5.5 V (unless otherwise noted) typical specifications are at T_A = 25°C and V+ = 3.3 V.

PARAMETER		TEST CONDITIONS	MIN	TYP	MAX	UNIT
EEPROM						
Programming time				7		ms
Number of writes			1,000	50,000		Times
Data retention time			10	100		Years

6.7 Two-Wire Interface Timing

minimum and maximum specifications are over -55°C to 150°C and $V+ = 1.8\text{ V}$ to 5.5 V (unless otherwise noted)⁽¹⁾

		FAST-MODE		UNIT
		MIN	MAX	
f_{SCL}	SCL operating frequency	1	400	KHz
t_{BUF}	Bus free time between STOP and START conditions	1300		ns
$t_{\text{HD;STA}}$	Hold time after repeated STRAT condition. After this period, the first clock is generated ⁽²⁾	600		ns
$t_{\text{SU;STA}}$	Repeated START condition setup time	600		ns
$t_{\text{SU;STO}}$	STOP condition setup time	600		ns
$t_{\text{HD;DAT}}$	Data hold time	0		ns
$t_{\text{VD;DAT}}$	Data valid time ⁽³⁾		0.9	μs
$t_{\text{SU;DAT}}$	Data setup time	100		ns
t_{LOW}	SCL clock low period	1300		ns
t_{HIGH}	SCL clock high period	600		ns
$t_{\text{F}} - \text{SDA}$	Data fall time	$20 \times (V+ / 5.5)$	300	ns
$t_{\text{F}}, t_{\text{R}} - \text{SCL}$	Clock fall and rise time		300	ns
t_{R}	Rise time for SCL $\leq 100\text{ kHz}$		1000	ns
	Serial bus timeout (SDA bus released if there is no clock)	20	40	ms

- (1) The master and device have the same $V+$ value. Values are based on statistical analysis of samples tested during initial release.
- (2) The maximum $t_{\text{HD;DAT}}$ could be $0.9\ \mu\text{s}$ for Fast-Mode, and is less than the maximum $t_{\text{VD;DAT}}$ by a transition time.
- (3) $t_{\text{VD;DATA}}$ = time for data signal from SCL "LOW" to SDA output ("HIGH" to "LOW", depending on which is worse).

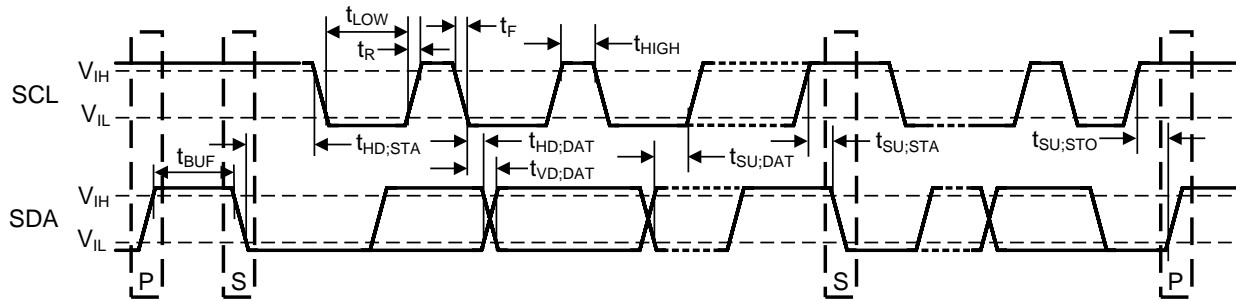


Figure 1. Two-Wire Timing Diagram

6.8 Typical Characteristics

at $T_A = 25^\circ\text{C}$, $V_+ = 3.3\text{ V}$, and measurement taken in oil bath (unless otherwise noted)

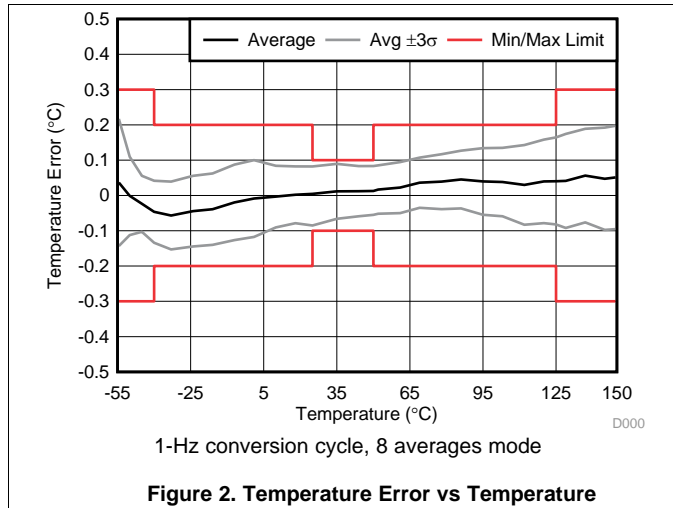


Figure 2. Temperature Error vs Temperature

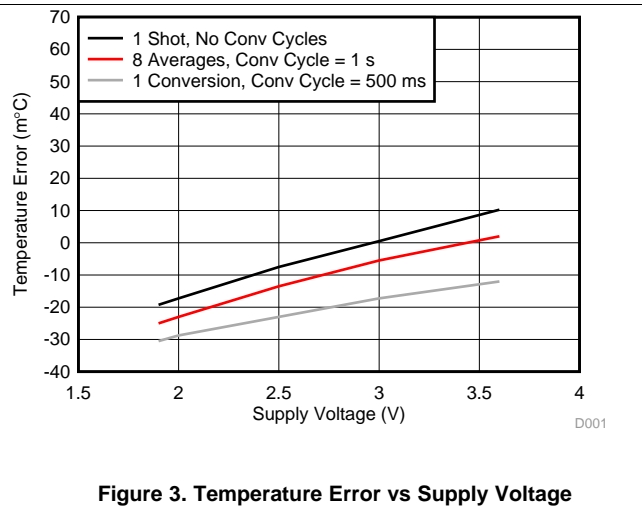


Figure 3. Temperature Error vs Supply Voltage

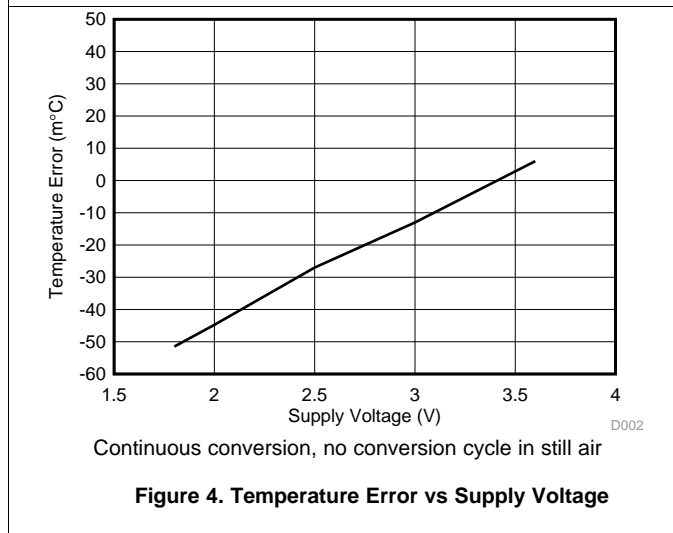


Figure 4. Temperature Error vs Supply Voltage

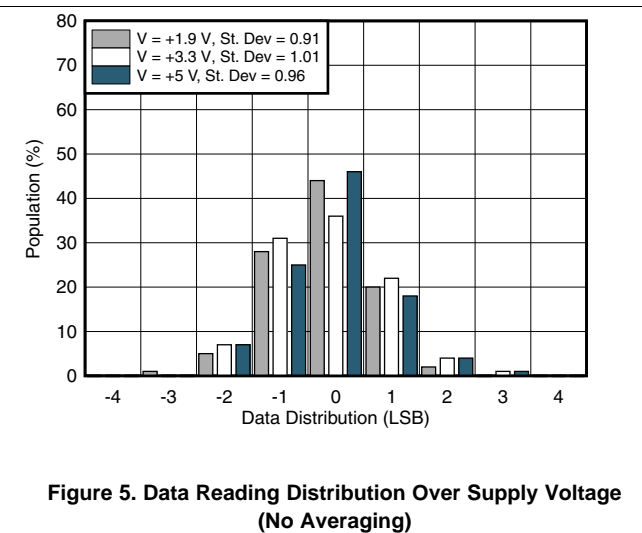


Figure 5. Data Reading Distribution Over Supply Voltage (No Averaging)

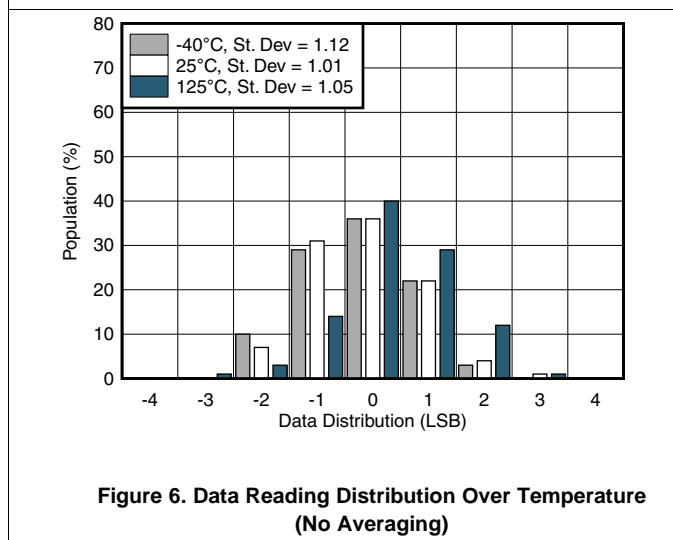


Figure 6. Data Reading Distribution Over Temperature (No Averaging)

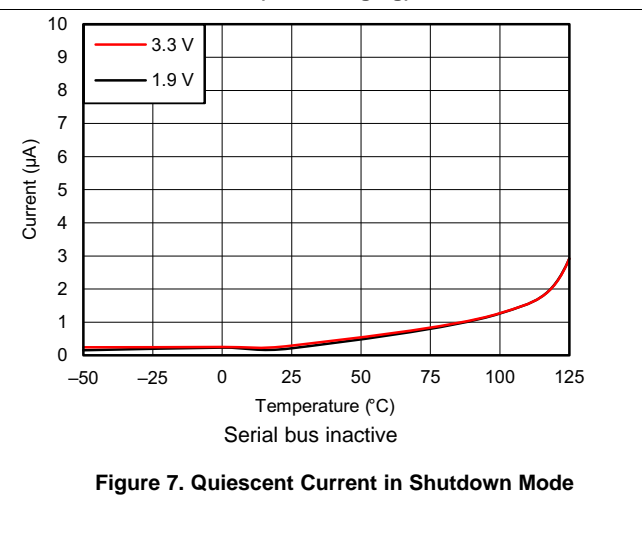


Figure 7. Quiescent Current in Shutdown Mode

Typical Characteristics (continued)

at $T_A = 25^\circ\text{C}$, $V_+ = 3.3\text{ V}$, and measurement taken in oil bath (unless otherwise noted)

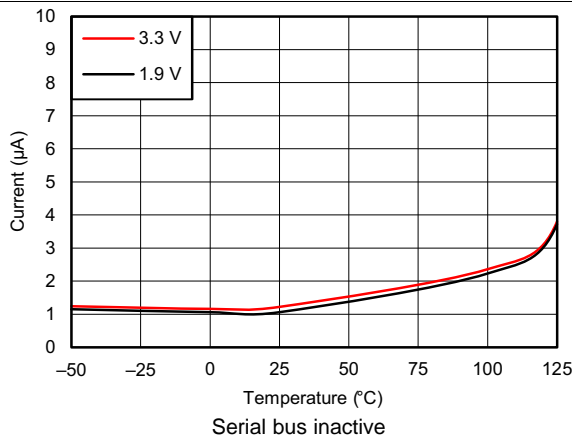
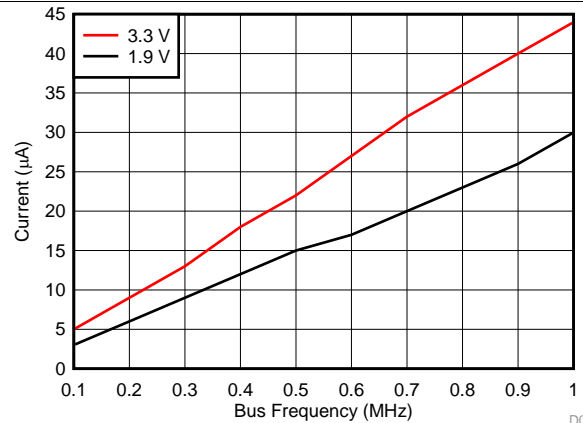


Figure 8. Quiescent Current in Standby Mode



SCL, SDA, ADD0 pins are constantly clocked

Figure 9. Quiescent Current in Shutdown Mode

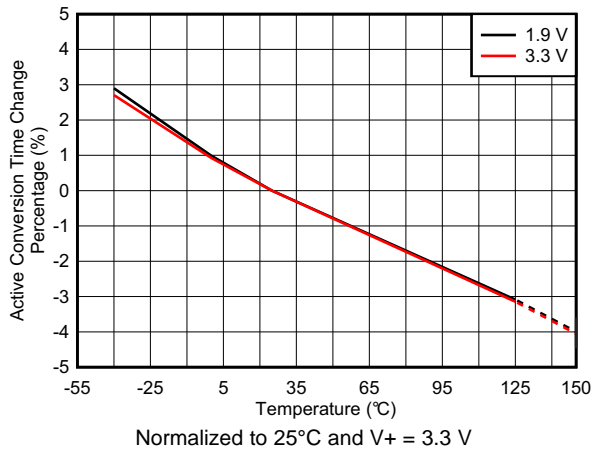


Figure 10. Active Conversion Time vs Temperature

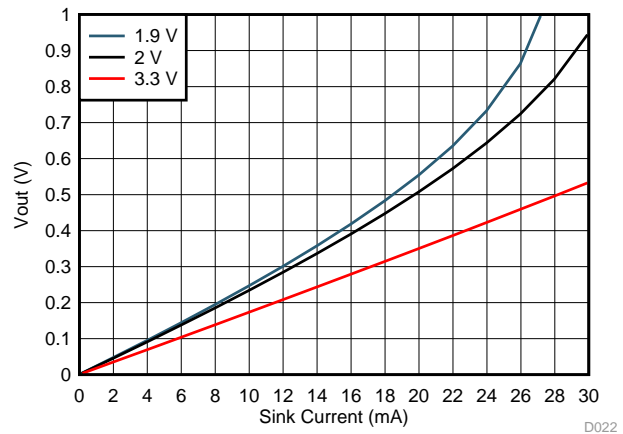


Figure 11. ALERT Pin Output Voltage vs Pin Sink Current

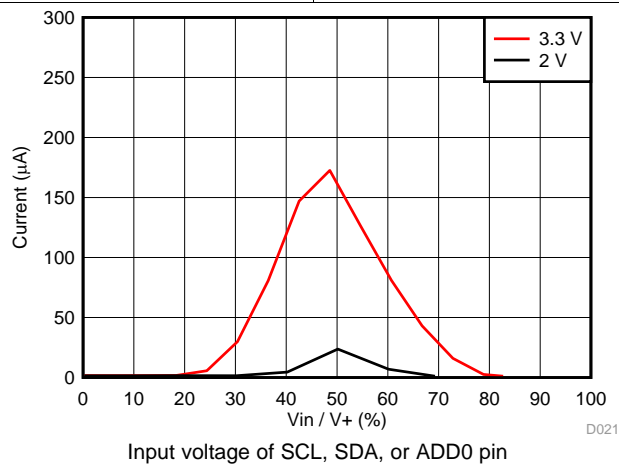


Figure 12. Supply Current vs Input Cell Voltage

ADVANCE INFORMATION

7 Detailed Description

7.1 Overview

The TMP117 is a digital output temperature sensor that is optimal for thermal-management and thermal-protection applications. The TMP117 is two-wire, SMBus, and I²C interface-compatible. The device is specified over an operating temperature range of –55°C to +125°C. [Figure 13](#) shows a block diagram of the TMP117.

7.2 Functional Block Diagrams

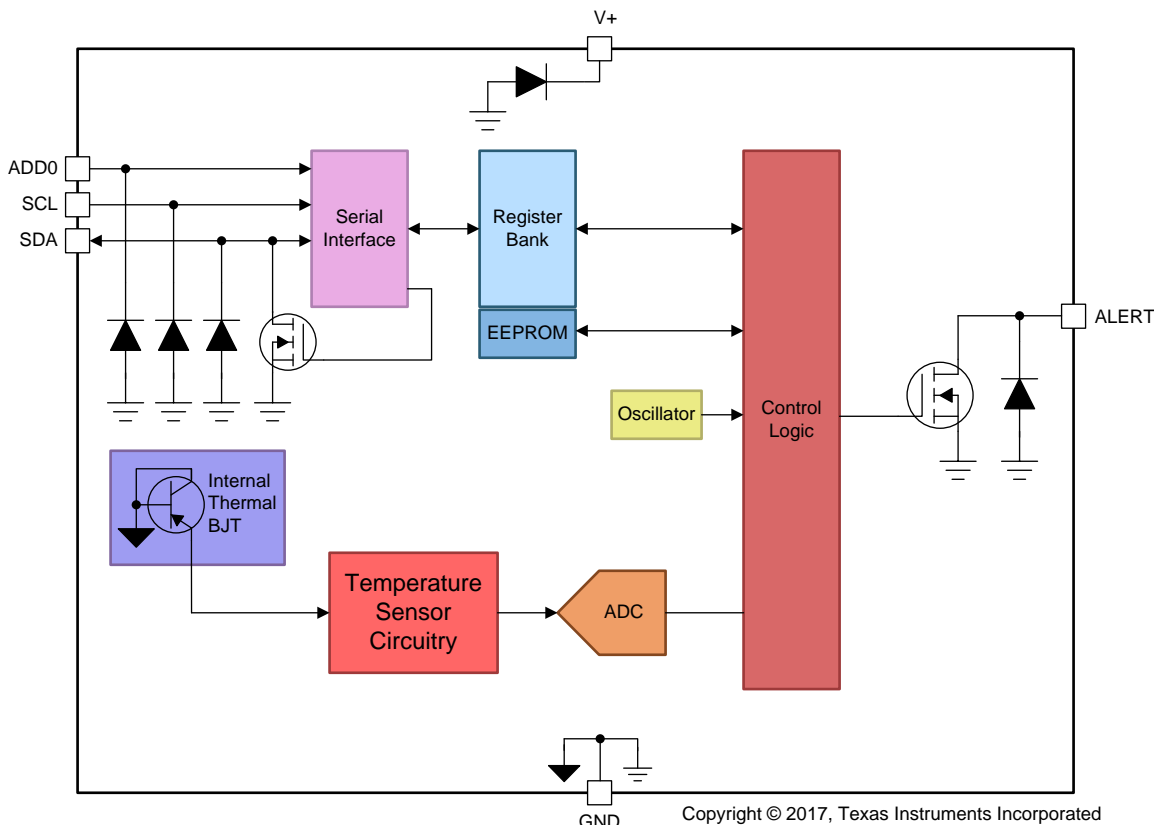


Figure 13. Internal Block Diagram

7.3 Feature Description

7.3.1 Power Up

After the supply voltage reaches within the operating range, the device requires 1.5 ms to power up before conversions begin. The device can be programmed to start up in shutdown mode as well. See the [EEPROM Programming](#) section for more information. The [temperature register](#) reads –256°C before the first conversion.

7.3.2 Temperature Result and Limits

At the end of every conversion, the device updates the temperature register with the conversion result. The data reading in the result register is in two's complement format, has a data width of 16 bits, and a resolution of 7.8125 m°C. [Table 1](#) shows multiple examples of possible binary data that can be read from the temperature result register and the corresponding hexadecimal and decimal equivalents.

The TMP117 also has alert status flags and alert pin functionality that use the temperature limits stored in the [low limit register](#) and [high limit register](#). The same data format used for the temperature result register can be used for data that are written to the high and low limit registers.

Feature Description (continued)
Table 1. 16-Bit Temperature Data Format

TEMPERATURE (°C)	TEMPERATURE REGISTER VALUE (0.0078125°C RESOLUTION)	
	BINARY	HEX
-256	1000 0000 0000 0000	8000
-25	1111 0011 1000 0000	F380
-0.1250	1111 1111 1111 0000	FFF0
-0.0078125	1111 1111 1111 1111	FFFF
0	0000 0000 0000 0000	0000
0.0078125	0000 0000 0000 0001	0001
0.1250	0000 0000 0001 0000	0010
1	0000 0000 1000 0000	0080
25	0000 1100 1000 0000	0C80
100	0011 0010 0000 0000	3200
255.9921	0111 1111 1111 1111	7FFF

7.4 Device Functional Modes

7.4.1 Temperature Conversions

The TMP117 can be configured to operate in various conversion modes by using the MOD[1:0] bits. These modes provide flexibility to operate the device in the most power efficient way necessary for the intended application.

7.4.1.1 Conversion Cycle

When the device is operating in continuous conversion mode (see the [Continuous Conversion Mode \(CC\)](#) section), every conversion cycle consists of an active conversion period followed by a standby period. The device typically consumes 135 μA during active conversion, and the device typically consumes 1.25 μA during the low-power standby period, as indicated in [Table 1](#). [Figure 14](#) shows a representative current consumption profile of a conversion cycle. The duration of the active conversion period and standby period can be configured using the CONV[2:0] and AVG[1:0] bits in the [configuration register](#), thereby allowing the average current consumption of the device to be optimized based on the application requirements. Changing the conversion cycle period also affects the temperature result update rate because the temperature result register is updated at the end of every conversion.

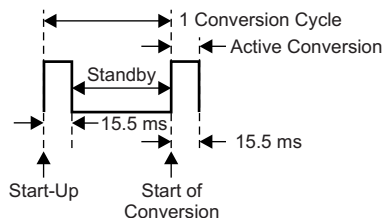


Figure 14. Conversion Cycle Timing Diagram

7.4.1.2 Averaging

Users can configure the device to report the average of multiple temperature conversions with the AVG[1:0] bits to improve noise in the conversion results. When the TMP117 is configured to perform averaging, the device executes the configured number of conversions. The device accumulates those conversion results and reports the average of all the collected results at the end of the process. As shown in the noise histograms of [Figure 6](#) and [Figure 7](#), the temperature result output has a repeatability of approximately ± 3 LSBs when there is no averaging and ± 1 LSB when the device is configured to perform eight averages. As shown in [Figure 15](#), engineer can achieve this improvement in noise performance with an increase in the active conversion time in a conversion cycle as a trade-off. Note that this outcome will increase the average active current consumption. For example, a single active conversion typically takes 15.5 ms, so if the device is configured to report an average of eight conversions, then the active conversion time is 124 ms ($15.5 \text{ ms} \times 8$). Use [Equation 1](#) to factor in this increase in active conversion time to accurately calculate the average current consumption of the device. The average current consumption of the device can be decreased by increasing the amount of time the device spends in standby period as compared to active conversion. On reset, the device is configured to report an average of eight conversions with a conversion cycle time of 1 second.

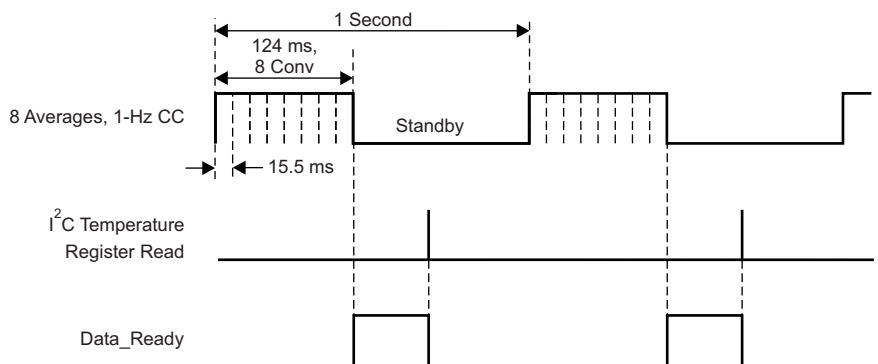


Figure 15. Averaging Timing Diagram

Device Functional Modes (continued)

Use [Equation 1](#) to calculate the average current consumption of the device in continuous mode.

$$\frac{(\text{Active Current Consumption} \times \text{Active Conversion Time}) + (\text{Standby Current Consumption} \times \text{Standby Time})}{\text{Conversion Cycle Time}}$$

(1)

7.4.1.3 Continuous Conversion Mode (CC)

When the MOD[1:0] bits are set to 00 in the [configuration register](#), the device operates in continuous conversion mode. The device continuously performs temperature conversions in this mode, as shown in [Figure 14](#), and updates the temperature result register at the end of every conversion. As described in the [Conversion Cycle](#) section, every conversion cycle consists of an active conversion period followed by a standby period whose duration can be configured using the CONV and AVG bits in the [configuration register](#) based on the temperature accuracy, power consumption, and temperature update rate trade-offs of the application that the device is used in. At the end of a conversion, the Data_Ready flag in the configuration register is set. The user can read the configuration register or the temperature result register to clear the Data_Ready flag. Therefore, the Data_Ready flag can be used to determine when the conversion completes so that an external controller can synchronize reading the result register with conversion result updates. The user can set the DR/nAlert_EN bit in the configuration register to monitor the state of the Data_Ready flag on the ALERT pin.

7.4.1.4 Shutdown Mode (SD)

When the MOD[1:0] bits are set to 01 in the [configuration register](#), the device instantly aborts the currently running conversion and enters a low-power shutdown mode. In this mode, the device powers down all active circuitry and can be used in conjunction with the OS mode to perform temperature conversions. In SD mode, the device typically consumes only 250 nA, which makes the TMP117 suitable for battery-operated systems and other low-power consumption applications.

7.4.1.5 One-Shot Mode (OS)

When MOD[1:0] bits are set to 11 in the [configuration register](#) to run a single conversion, referred to as a one-shot conversion. After the device completes a one-shot conversion, the device returns to the low-power shutdown mode. A one-shot conversion cycle only consists of active conversion time and no standby period, unlike CC mode. Thus, the duration of a one-shot conversion is only affected by the AVG bit settings. The CONV bits do not affect the duration of a one-shot conversion. [Figure 16](#) shows a timing diagram for this mode with an AVG setting of 00. At the end of a one-shot conversion, the Data_Ready flag in the configuration register is set. The Data_Ready flag can thus be used to determine when the conversion completes. The user can perform an I²C read on the configuration register or temperature result register to clear the Data_Ready flag. The user can also set the DR/nAlert_EN bit in the configuration register to monitor the state of the Data_Ready flag on the ALERT pin.

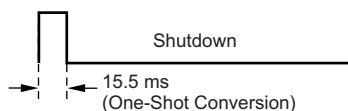


Figure 16. One-Shot Timing Diagram

7.4.2 Therm and Alert Functions

The built-in therm and alert functions of the TMP117 can alert the user if the temperature has crossed a certain temperature limit or if the device is within a certain temperature range. At the end of every conversion, the TMP117 compares the converted temperature result to the values stored in the [low limit register](#) and [high limit register](#). The device then either sets or clears the corresponding status flags in the configuration register, as described in this section.

Device Functional Modes (continued)

7.4.2.1 Alert Mode

When the T/nA bit in the [configuration register](#) is set to 0, the device is in alert mode. In this mode, the device compares the conversion result at the end of every conversion with the values in the [low limit register](#) and [high limit register](#). If the temperature result exceeds the value in the high limit register, the HIGH_Alert status flag in the configuration register is set. On the other hand, if the temperature result is lower than the value in the low limit register, the LOW_Alert status flag in the configuration register is set. As shown in [Figure 17](#), the user can run an I²C read transaction on the configuration register to clear the status flags in alert mode.

When a user configures the device in alert mode, it affects the behaviour of the ALERT pin. The device asserts the ALERT pin in this mode when either the HIGH_Alert or the LOW_Alert status flag is set, as shown in [Figure 17](#). The user can either run an I²C read of the configuration register (which also clears the status flags) or run an SMBus alert response command (see the [SMBus Alert Function](#) section) to deassert the ALERT pin. The polarity of the ALERT pin can be changed by using the POL bit setting in the configuration register.

This mode effectively makes the device behave like a window limit detector. Thus this mode can be used in applications where detecting if the temperature goes outside of the specified range is necessary.

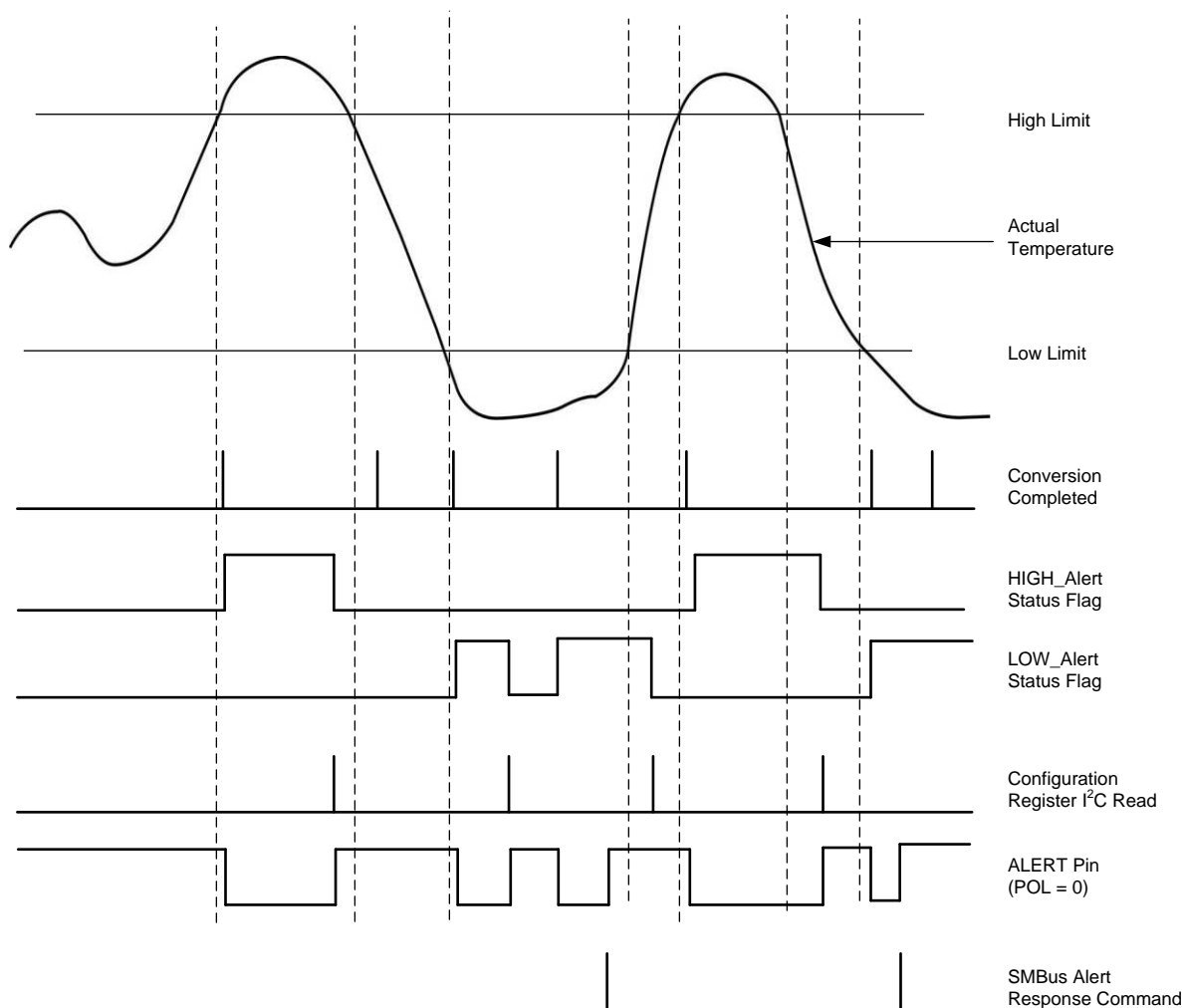


Figure 17. Alert Mode Timing Diagram

ADVANCE INFORMATION

Device Functional Modes (continued)

7.4.2.2 Therm Mode

When the T/nA bit in the [configuration register](#) is set to 1 the device is in therm mode. In this mode, the device compares the conversion result at the end of every conversion with the values in the [low limit register](#) and [high limit register](#) and sets the HIGH_Alert status flag in the configuration register if the temperature exceeds the value in the high limit register. When set, the device clears the HIGH_Alert status flag if the conversion result goes below the value in the low limit register. Thus, the difference between the high and low limits effectively acts like a hysteresis. In this mode, the LOW_Alert status flag is disabled and always reads 0. Unlike the alert mode, I²C reads of the configuration register do not affect the status bits. The HIGH_Alert status flag is only set or cleared at the end of conversions based on the value of the temperature result compared to the high and low limits.

As in alert mode, configuring the device in therm mode also affects the behaviour of the ALERT pin. In this mode, the device asserts the ALERT pin if the HIGH_Alert status flag is set and deasserts the ALERT pin when the HIGH_Alert status flag is cleared. In therm mode, the ALERT pin cannot be cleared by performing an I²C read of the configuration register or by performing an SMBus alert response command. As in alert mode, the polarity of the active state of the ALERT pin can be changed if the user adjusts the POL bit setting in the configuration register.

Thus, this mode effectively makes the device behave like a high-limit threshold detector. This mode can be used in applications where detecting if the temperature has gone above a desired threshold is necessary. [Figure 18](#) shows a timing diagram of this mode.

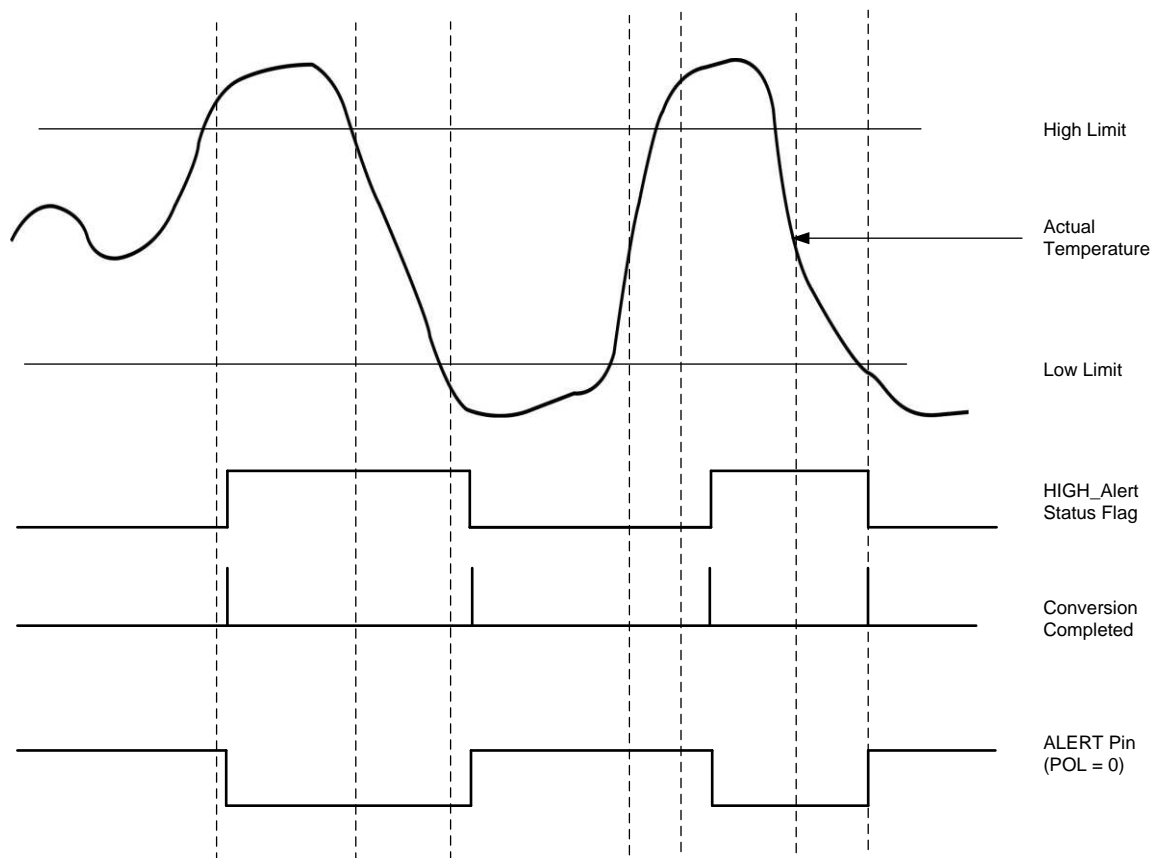


Figure 18. Therm Mode Timing Diagram

7.5 Programming

7.5.1 EEPROM Programming

7.5.1.1 EEPROM Overview

The device has a user-programmable EEPROM that can be used for two purposes:

- Storing power-on-reset (POR) values of the high limit register, low limit register, conversion cycle time, averaging mode, conversion mode (continuous or shutdown mode), alert function mode (alert or therm mode), and alert polarity
- Storing four 16-bit locations for general-purpose use. See the [EEPROM\[4:1\] registers](#) for more information.

On reset, the device goes through a POR sequence that loads the values programmed in the EEPROM into the respective register map locations. This process takes approximately 1.5 ms. When the power-up sequence is complete, the device starts operating in accordance to the configuration parameters that are loaded from the EEPROM. Any I²C writes performed during this initial POR period to the limit registers or the configuration register are ignored. I²C read transactions can still be performed with the device during the power-up period. While the POR sequence is being executed, the EEPROM_Busy status flag in the [EEPROM unlock register](#) is set.

During production, the EEPROM in the TMP117 is programmed with reset values as shown in [Table 3](#). The [Programming the EEPROM](#) section describes how to change these values. A unique ID is also programmed in the general-purpose EEPROM locations during production. This unique ID is used to support NIST traceability. The TMP117 units are 100% tested on a production setup that is NIST traceable and verified with equipment that is calibrated to ISO/IEC 17025 accredited standards. Only reprogram the general-purpose EEPROM[4:1] locations if NIST traceability is not desired.

7.5.1.2 Programming the EEPROM

To prevent accidental programming, the EEPROM is locked by default. When locked, any I²C writes to the register map locations are performed only on the volatile registers and not on the EEPROM.

[Figure 19](#) illustrates a flow chart describing the EEPROM programming sequence. To program the EEPROM, first unlock the EEPROM by setting the EUN bit in the [EEPROM unlock register](#). After the EEPROM is unlocked, any subsequent I²C writes to the register map locations program a corresponding non-volatile memory location in the EEPROM. Programming a single location typically takes 7 ms to complete and consumes 230 μ A. Do not perform any I²C writes until programming is complete. During programming, the EEPROM_busy flag is set. Read this flag to monitor if the programming is complete. After programming the desired data, issue a general-call reset command to trigger a software reset. The programmed data from the EEPROM are then loaded to the corresponding register map locations as part of the reset sequence. This command also clears the EUN bit and automatically locks the EEPROM to prevent any further accidental programming. Avoid using the device to perform temperature conversions when the EEPROM is unlocked.

Programming (continued)

ADVANCE INFORMATION

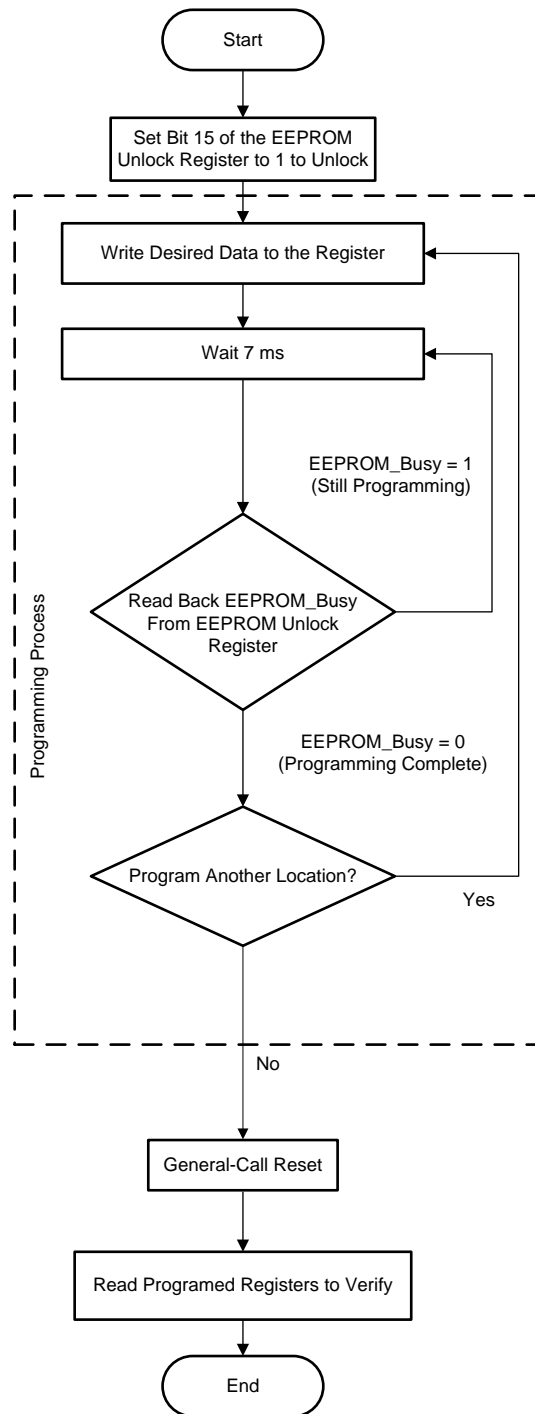


Figure 19. EEPROM Programming Sequence

Programming (continued)

7.5.2 Pointer Register

Figure 20 shows the internal register structure of the TMP117. The 8-bit pointer register of the device is used to address a given data register. The power-up reset value is 00. By default, the TMP117 reads the temperature on power-up.

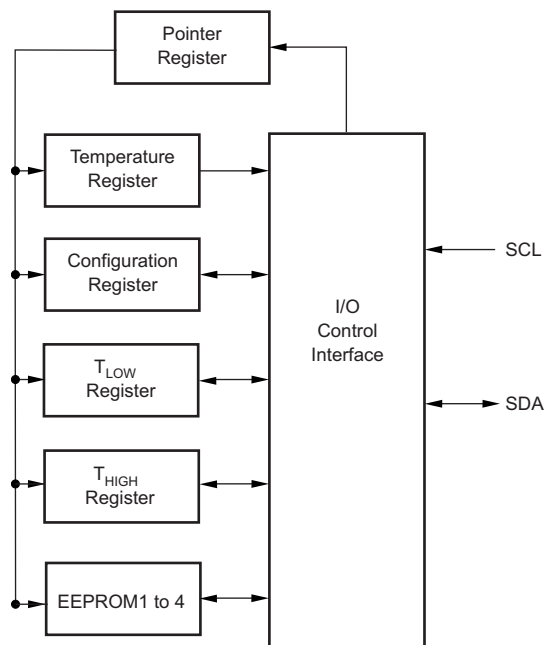


Figure 20. Internal Register Structures

7.5.3 I²C and SMBus Interface

7.5.3.1 Serial Interface

The TMP117 operates as a slave device only on the two-wire, SMBus and I²C interface-compatible bus. Connections to the bus are made through the open-drain I/O lines and the SDA and SCL pins. The SDA and SCL pins feature integrated spike-suppression filters and Schmitt triggers to minimize the effects of input spikes and bus noise. The device supports the transmission protocol for fast (1 kHz to 400 kHz) mode. Register bytes are sent with the most significant byte first, followed by the least significant byte.

7.5.3.1.1 Bus Overview

The device that initiates the transfer is called a *master*, and the devices controlled by the master are *slaves*. The bus must be controlled by a master device that generates the serial clock (SCL), controls the bus access, and generates the START and STOP conditions.

To address a specific device, a START condition is initiated, indicated by pulling the data line (SDA) from a high-to low-logic level when the SCL pin is high. All slaves on the bus shift in the slave address byte on the rising edge of the clock, and the last bit indicates whether a read or write operation is intended. During the ninth clock pulse, the addressed slave generates an acknowledge and pulls the SDA pin low to respond to the master.

A data transfer is then initiated and sent over eight clock pulses followed by an acknowledge bit. During the data transfer, the SDA pin must remain stable when the SCL pin is high because any change in the SDA pin when the SCL pin is high is interpreted as a START or STOP signal.

When all data are transferred, the master generates a repeated START or STOP condition indicated by pulling the SDA pin from low to high when the SCL pin is high.

Programming (continued)

7.5.3.1.2 Serial Bus Address

To communicate with the TMP117, the master must first address slave devices through an address byte. The address byte has seven address bits and a read-write (R/W) bit that indicates the intent of executing a read or write operation.

The TMP117 features an address pin to allow up to four devices to be addressed on a single bus. [Table 2](#) describes the pin logic levels used to properly connect up to four devices. x represents the read-write (R/W) bit.

Table 2. Address Pin and Slave Addresses

DEVICE TWO-WIRE ADDRESS	ADD0 PIN CONNECTION
1001000x	Ground
1001001x	V+
1001010x	SDA
1001011x	SCL

7.5.3.1.3 Writing and Reading Operation

The user can write a register address to the pointer register to access a particular register on the TMP117. The value for the pointer register is the first byte transferred after the slave address byte with the R/W bit low. Every write operation to the TMP117 requires a value for the pointer register.

When reading from the TMP117, the last value stored in the pointer register by a write operation is used to determine which register is read by a read operation. To change the register pointer for a read operation, a new value must be written to the pointer register. The user can issue an address byte with the R/W bit low, followed by the pointer register byte, to write a new value for the pointer register. No additional data are required. The master can then generate a START condition and send the slave address byte with the R/W bit high to initiate the read command. See [Figure 23](#) for details of this sequence. If repeated reads from the same register are desired, it is not necessary to send the pointer register bytes continuously because the TMP117 retains the pointer register value until the value is changed by the next write operation.

Register bytes are sent with the most significant byte first, followed by the least significant byte.

7.5.3.1.4 Slave Mode Operations

The TMP117 can operate as a slave receiver or slave transmitter. As a slave device, the TMP117 never drives the SCL line.

7.5.3.1.4.1 Slave Receiver Mode

The first byte transmitted by the master is the slave address with the R/W bit low. The TMP117 then acknowledges reception of a valid address. The next byte transmitted by the master is the pointer register. The TMP117 then acknowledges reception of the pointer register byte. The next byte or bytes are written to the register addressed by the pointer register. The TMP117 acknowledges reception of each data byte. The master can terminate data transfer by generating a START or STOP condition.

7.5.3.1.4.2 Slave Transmitter Mode

The first byte transmitted by the master is the slave address with the R/W bit high. The slave acknowledges reception of a valid slave address. The next byte is transmitted by the slave and is the most significant byte of the register indicated by the pointer register. The master acknowledges reception of the data byte. The next byte transmitted by the slave is the least significant byte. The master acknowledges reception of the data byte. The master can terminate data transfer by generating a *not-acknowledge* on reception of any data byte or by generating a START or STOP condition.

7.5.3.1.5 SMBus Alert Function

The TMP117 supports the SMBus alert function. When the ALERT pin is connected to an SMBus alert signal and a master senses that an alert condition is present, the master can send out an SMBus ALERT command (0001 1001) to the bus. If the ALERT pin is active, the device acknowledges the SMBus ALERT command and responds by returning the slave address on the SDA line. The eighth bit (LSB) of the slave address byte indicates if the alert condition is caused by the temperature exceeding $T_{(HIGH)}$ or falling below $T_{(LOW)}$. The LSB is high if the temperature is greater than $T_{(HIGH)}$, or low if the temperature is less than $T_{(LOW)}$. See Figure 24 for details of this sequence.

If multiple devices on the bus respond to the SMBus ALERT command, arbitration during the slave address portion of the SMBus ALERT command determines which device clears the alert status of that device. The device with the lowest two-wire address wins the arbitration. If the TMP117 wins the arbitration, the TMP117 ALERT pin becomes inactive at the completion of the SMBus ALERT command. If the TMP117 loses the arbitration, the TMP117 ALERT pin remains active.

7.5.3.1.6 General-Call Reset Function

The TMP117 responds to a two-wire, general-call address (0000 000) if the eighth bit is 0. The device acknowledges the general-call address and responds to commands in the second byte. If the second byte is 0000 0110, the TMP117 internal registers are reset to power-up values.

7.5.3.1.7 Timeout Function

The TMP117 resets the serial interface if the SCL line is held low by the master or the SDA line is held low by the TMP117 for 35 ms (typical) between a START and STOP condition. The TMP117 releases the SDA line if the SCL pin is pulled low and waits for a START condition from the host controller. To avoid activating the timeout function, maintain a communication speed of at least 1 kHz for the SCL operating frequency.

7.5.3.1.8 Timing Diagrams

The TMP117 is two-wire, SMBus, and I²C interface-compatible. Figure 21 to Figure 25 show the various operations on the TMP117. Parameters for Figure 21 are defined in *Two-Wire Interface Timing*. Bus definitions are:

Bus Idle: Both SDA and SCL lines remain high.

Start Data Transfer: A change in the state of the SDA line from high to low when the SCL line is high defines a START condition. Each data transfer is initiated with a START condition.

Stop Data Transfer: A change in the state of the SDA line from low to high when the SCL line is high defines a STOP condition. Each data transfer is terminated with a repeated START or STOP condition.

Data Transfer: The number of data bytes transferred between a START and a STOP condition is not limited and is determined by the master device. The TMP117 can also be used for single byte updates. To update only the MS byte, terminate the communication by issuing a START or STOP communication on the bus.

Acknowledge: Each receiving device, when addressed, is obliged to generate an acknowledge bit. A device that acknowledges must pull down the SDA line during the acknowledge clock pulse in such a way that the SDA line is stable low during the high period of the acknowledge clock pulse. The user must take setup and hold times into account. On a master receive, the termination of the data transfer can be signaled by the master generating a *not-acknowledge* (1) on the last byte transmitted by the slave.

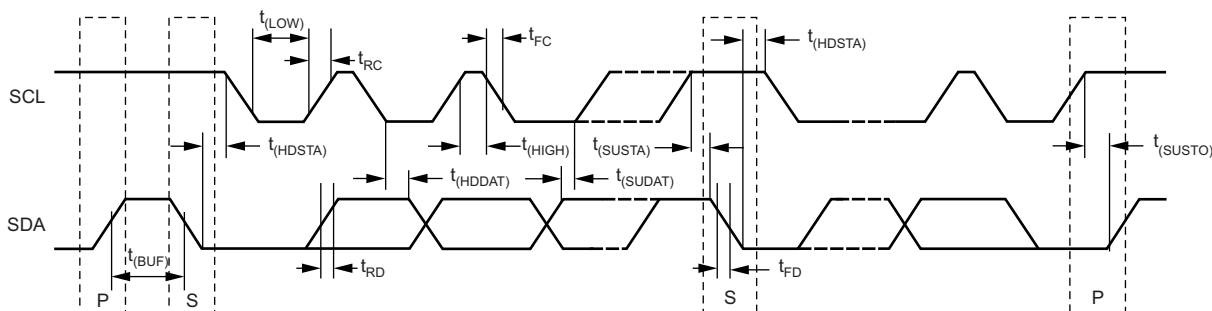


Figure 21. Two-Wire Timing Diagram

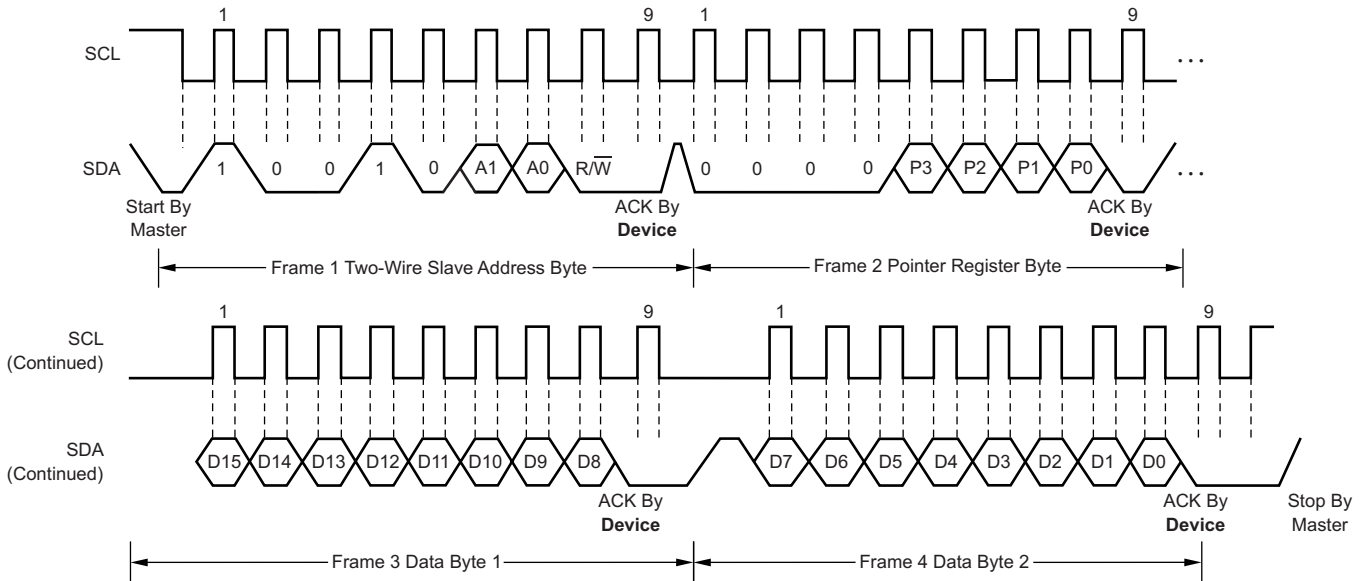


Figure 22. Write Word Command Timing Diagram

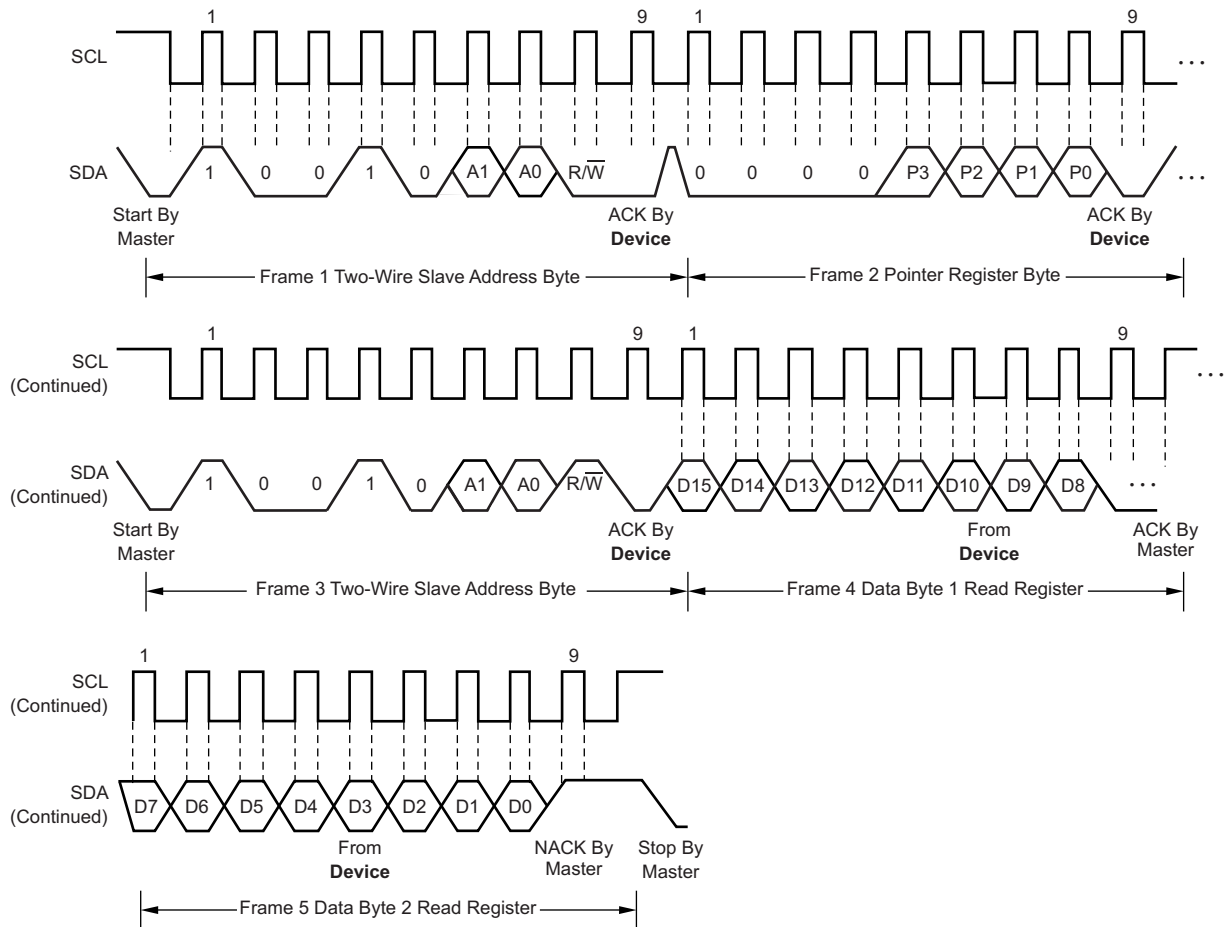


Figure 23. Read Word Command Timing Diagram

ADVANCE INFORMATION

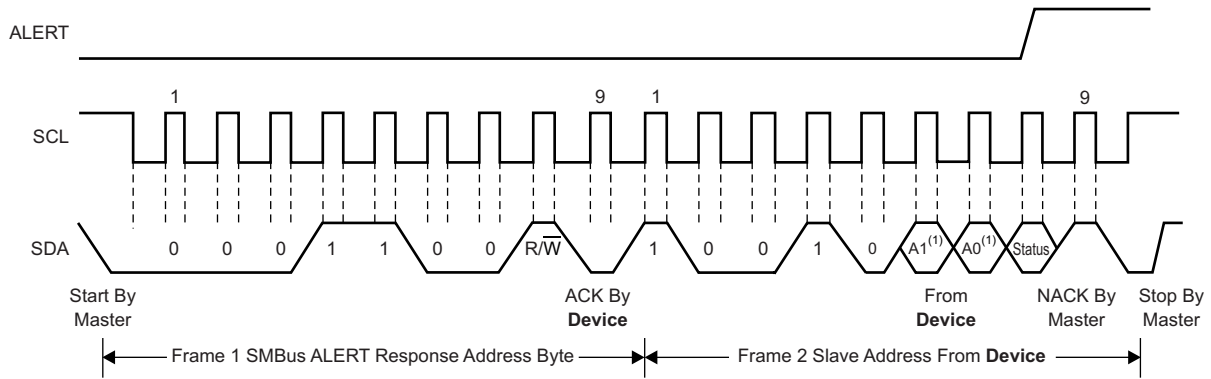


Figure 24. SMBus ALERT Timing Diagram

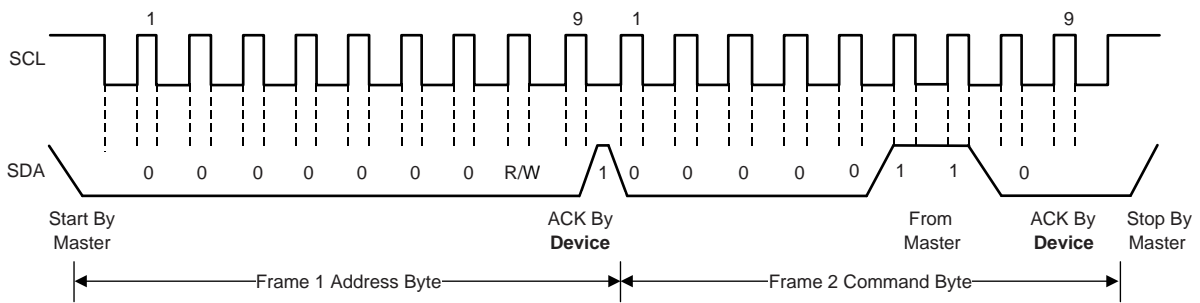


Figure 25. General-Call Reset Command Timing Diagram

ADVANCE INFORMATION

7.6 Registers Map

Table 3. Register Map

ADDRESS (HEX)	DEFAULT VALUE (HEX)	REGISTER DATA																REGISTER NAME
		15	14	13	12	11	10	9	8	7	6	5	4	3	2	1	0	
00h	8000	T15	T14	T13	T12	T11	T10	T9	T8	T7	T6	T5	T4	T3	T2	T1	T0	Temperature
01h	0220 ⁽¹⁾	HIGH_Alert	LOW_Alert	Data_Ready	EEPROM_Busy	MOD1	MOD0	CONV2	CONV1	CONV0	AVG1	AVG0	T/nA	POL	DR/nAlert_EN	Soft_Rest	—	Configuration
02h	6000 ⁽¹⁾	H15	H14	H13	H12	H11	H10	H9	H8	H7	H6	H5	H4	H3	H2	H1	H0	High Limit
03h	8000 ⁽¹⁾	L15	L14	L13	L12	L11	L10	L9	L8	L7	L6	L5	L4	L3	L2	L1	L0	Low Limit
07h	0000 ⁽¹⁾	D15	D14	D13	D12	D11	D10	D9	D8	D7	D6	D5	D4	D3	D2	D1	D0	Temperature Offset
04h	0000	EUN	EEPROM_Busy	—	—	—	—	—	—	—	—	—	—	—	—	—	—	EEPROM Unlock
05h	xxxx ⁽¹⁾	D15	D14	D13	D12	D11	D10	D9	D8	D7	D6	D5	D4	D3	D2	D1	D0	EEPROM1
06h	xxxx ⁽¹⁾	D15	D14	D13	D12	D11	D10	D9	D8	D7	D6	D5	D4	D3	D2	D1	D0	EEPROM2
08h	xxxx ⁽¹⁾	D15	D14	D13	D12	D11	D10	D9	D8	D7	D6	D5	D4	D3	D2	D1	D0	EEPROM3
0Fh	x116	—	—	—	—	DID11	DID10	DID9	DID8	DID7	DID6	DID5	DID4	DID3	DID2	DID1	DID0	Device ID

- (1) This value is stored in electrically-erasable, programmable read-only memory (EEPROM) during device manufacturing. The device reset value can be changed by writing the relevant code in the EEPROM cells (see the [EEPROM Overview](#) section).

7.6.1 Register Descriptions

Table 4. TMP117 Access Type Codes

ACCESS TYPE	CODE	DESCRIPTION
R	R	Read
Read-write	R/W	Read, write, or both
W	W	Write
-n		Value after reset or the default value

7.6.1.1 Temperature Register (address = 00h) [default reset = 8000h]

This register is a 16-bit, read-only register that stores the output of the most recent conversion. One LSB equals 7.8125 m°C. Data are represented in binary two's complement format. Following power-up or a general-call reset, the temperature register reads –256°C until the first conversion is complete. See the [Power Up](#) section for more information.

Figure 26. Temperature Register

15	14	13	12	11	10	9	8
T15	T14	T13	T12	T11	T10	T9	T8
R-1	R-0	R-0	R-0	R-0	R-0	R-0	R-0
7	6	5	4	3	2	1	0
T7	T6	T5	T4	T3	T2	T1	T0
R-0	R-0	R-0	R-0	R-0	R-0	R-0	R-0

Table 5. Temperature Register Field Descriptions

BIT	FIELD	TYPE	RESET	DESCRIPTION
15:0	T[15:0]	R	8000h	16-bit, read-only register that stores the most recent temperature conversion results.

7.6.1.2 Configuration Register (address = 01h) [default reset = 0220h]
Figure 27. Configuration Register

15	14	13	12	11	10	9	8
HIGH_Alert	LOW_Alert	Data_Ready	EEPROM_Busy	MOD1 ⁽¹⁾	MOD0 ⁽²⁾	CONV2 ⁽²⁾	CONV1 ⁽²⁾
R-0	R-0	R-0	R-0	R/W-0	R/W-0	R/W-1	R/W-0
7	6	5	4	3	2	1	0
CONV0 ⁽²⁾	AVG1 ⁽²⁾	AVG0 ⁽²⁾	T/nA ⁽²⁾	POL ⁽²⁾	DR/Alert ⁽²⁾	—	—
R/W-0	R/W-0	R/W-1	R/W-0	R/W-0	R/W-0	R-0	R-0

- (1) The MOD1 bit cannot be stored in EEPROM. The device can only be programmed to start up in shutdown mode or continuous conversion mode.
- (2) These bits can be stored in EEPROM. The factory setting for this register is 0220.

Table 6. Configuration Register Field Descriptions

BIT	FIELD	TYPE	RESET	DESCRIPTION
15	HIGH_Alert	R	0	Alert mode: 1: Set when the conversion result is higher than the high limit 0: Cleared on read of configuration register Therm mode: 1: Set when the conversion result is higher than the therm limit 0: Cleared when the conversion result is lower than the hysteresis
14	LOW_Alert	R	0	Alert mode: 1: Set when the conversion result is lower than the low limit 0: Cleared when the configuration register is read Therm mode: Always set to 0
13	Data_Ready	R	0	Data ready flag. This flag indicates that the conversion is complete and the temperature register can be read. Every time the temperature register or configuration register is read, this bit is cleared. This bit is set at the end of the next conversion when the temperature register is updated. Data ready can be monitored on the ALERT pin by using bit 2 of the configuration register.
12	EEPROM_Busy	R	0	EEPROM busy flag. The value of the flag indicates that the EEPROM is busy during programming or power-up.
11:10	MOD[1:0]	R/W	0	Set conversion mode. 00: Continuous conversion (CC) 01: Shutdown (SD) 10: Continuous conversion (read back = 00) 11: One-shot conversion (OS)
9:7	CONV[2:0]	R/W	100	Conversion cycle bit. See Table 7 for the standby time between conversions.
6:5	AVG[1:0]	R/W	01	Conversion averaging modes. These bits determine the number of conversion results that are collected and averaged before updating the temperature register. The average is an accumulated average and not a running average. Table 8 lists the bit settings for AVG.
4	T/nA	R/W	0	Therm/alert mode select. 1: Therm mode 0: Alert mode
3	POL	R/W	0	ALERT pin polarity bit. 1: Active high 0: Active low
2	DR/Alert	R/W	0	Data ready, ALERT flag select bit. 1: ALERT pin reflects the status of the data ready flag 0: ALERT pin reflects the status of the alert flags
1	Soft_Reset	R/W	0	Software reset bit. When set to 1 it triggers software reset with a duration of 2ms This bit always read back 0
0	—	R	0	Not used

Table 7. Conversion Cycle Time in CC Mode

CONV[2:0]	AVG[1:0] = 00	AVG[1:0] = 01
000	15.5 ms	125 ms
001	125 ms	125 ms
010	250 ms	250 ms
011	500 ms	500 ms
100	1 s	1 s
101	4 s	4 s
110	8 s	8 s
111	16 s	16 s

Table 8. AVG Bit Settings

AVG1	AVG0	DESCRIPTION
0	0	No averaging, 15.5-ms active conversion time
0	1	8 averages, 125-ms active conversion time

7.6.1.3 High Limit Register (address = 02h) [reset = 6000h]

This register is a 16-bit, read/write register that stores the high limit for comparison with the temperature result. One LSB equals 7.8125 m°C. The range of the register is ±256°C. Negative numbers are represented in binary two's complement format. Following power-up or a general-call reset, the high-limit register is loaded with the stored value from the EEPROM that is set as factory default to 6000h.

Figure 28. High Limit Register

15	14	13	12	11	10	9	8
H15	H14	H13	H12	H11	H10	H9	H8
R/W-0	R/W-1	R/W-1	R/W-0	R/W-0	R/W-0	R/W-0	R/W-0
7	6	5	4	3	2	1	0
H7	H6	H5	H4	H3	H2	H1	H0
R/W-0	R/W-0	R/W-0	R/W-0	R/W-0	R/W-0	R/W-0	R/W-0

Table 9. High Limit Register Field Descriptions

BIT	FIELD	TYPE	RESET	DESCRIPTION
15:0	H[15:0]	R/W	6000h	16-bit, read/write register that stores the high limit for comparison with the temperature result.

7.6.1.4 Low Limit Register (address = 03h) [reset = 8000h]

This register is configured as a 16-bit, read/write register that stores the low limit for comparison with the temperature result. One LSB equals 7.8125 m°C. The range of the register is ±256°C. Negative numbers are represented in binary two's complement format. Following power-up or reset, the low-limit register is loaded with the stored value from the EEPROM that is set in the factory to 8000h.

Figure 29. Low Limit Register

15	14	13	12	11	10	9	8
L15	L14	L13	L12	L11	L10	L9	L8
R/W-1	R/W-0	R/W-0	R/W-0	R/W-0	R/W-0	R/W-0	R/W-0
7	6	5	4	3	2	1	0
L7	L6	L5	L4	L3	L2	L1	L0
R/W-0	R/W-0	R/W-0	R/W-0	R/W-0	R/W-0	R/W-0	R/W-0

Table 10. Low Limit Register Field Descriptions

BIT	FIELD	TYPE	RESET	DESCRIPTION
15:0	L[15:0]	R/W	8000h	16-bit, read/write register that stores the low limit for comparison with the temperature result.

7.6.1.5 Temperature Offset Register (address = 07h) [reset = 0000h]

This 16-bit register is to be used as a user-defined temperature offset register during system calibration. The offset will be added to the temperature result after linearization. It has a same resolution of 7.8125m°C and same range of ±256°C as the temperature result register. If added result is out of boundary, then the temperature result will show as the maximum or minimum value. This register read-write functionality is similar as the EEPROM1 register.

Figure 30. Temperature Offset Register

15	14	13	12	11	10	9	8
D15	D14	D13	D12	D11	D10	D9	D8
R/W-0	R/W-0	R/W-0	R/W-0	R/W-0	R/W-0	R/W-0	R/W-0
7	6	5	4	3	2	1	0
D7	D6	D5	D4	D3	D2	D1	D0
R/W-0	R/W-0	R/W-0	R/W-0	R/W-0	R/W-0	R/W-0	R/W-0

Table 11. Temperature Offset Register Field Descriptions

BIT	FIELD	TYPE	RESET	DESCRIPTION
15:0	D[15:0]	R/W	0	This 16-bit register is to be used as a scratch pad by the customer.

7.6.1.6 EEPROM Unlock Register (address = 04h) [reset = 0000h]

Figure 31. EEPROM Unlock Register

15	14	13	12	11	10	9	8
EUN	EEPROM_Busy	—	—	—	—	—	—
R/W-0	R-0	R-0	R-0	R-0	R-0	R-0	R-0
7	6	5	4	3	2	1	0
—	—	—	—	—	—	—	—
R-0	R-0	R-0	R-0	R-0	R-0	R-0	R-0

Table 12. EEPROM Unlock Register Field Descriptions

BIT	FIELD	TYPE	RESET	DESCRIPTION
15	EUN	R/W	0	EEPROM unlock. 0: EEPROM is locked for programming: writes to all EEPROM addresses (such as configuration, limits, and EEPROM locations 1-4) are written to registers in digital logic and are not programmed in the EEPROM 1: EEPROM unlocked for programming: any writes to writable registers program the respective location in the EEPROM
14	EEPROM_Busy	R	0	EEPROM busy. This flag is the mirror of the EEPROM busy flag (bit 12) in the configuration register. 0: Indicates that the EEPROM is ready, which means that the EEPROM has finished the last transaction and is ready to accept new commands 1: Indicates that the EEPROM is busy, which means that the EEPROM is currently completing a program or power-up on reset load
13:0	—	R	0	Not used

7.6.1.7 EEPROM1 Register (address = 05h) [reset = 0000h]

The EEPROM1 register is a 16-bit register that be used as a scratch pad by the customer to store general-purpose data. This register has a corresponding EEPROM location. Writes to this address when the EEPROM is locked write data into the register and not to the EEPROM. Writes to this register when the EEPROM is unlocked causes the corresponding EEPROM location to be programmed. See the [Programming the EEPROM](#) section for more information. EEPROM[4:1] are preprogrammed during manufacturing with the unique ID that can be overwritten. To support NIST traceability, do not delete or reprogram EEPROM[4:1].

Figure 32. EEPROM1 Register

15	14	13	12	11	10	9	8
D15	D14	D13	D12	D11	D10	D9	D8
R/W-x	R/W-x	R/W-x	R/W-x	R/W-x	R/W-x	R/W-x	R/W-x
7	6	5	4	3	2	1	0
D7	D6	D5	D4	D3	D2	D1	D0
R/W-x	R/W-x	R/W-x	R/W-x	R/W-x	R/W-x	R/W-x	R/W-x

Table 13. EEPROM1 Register Field Descriptions

BIT	FIELD	TYPE	RESET	DESCRIPTION
15:0	D[15:0]	R/W	xxxxh	This 16-bit register is to be used as a scratch pad by the customer.

7.6.1.8 EEPROM2 Register (address = 06h) [reset = 0000h]

This register function the same as the EEPROM1 register.

Figure 33. EEPROM2 Register

15	14	13	12	11	10	9	8
D15	D14	D13	D12	D11	D10	D9	D8
R/W-x	R/W-x	R/W-x	R/W-x	R/W-x	R/W-x	R/W-x	R/W-x
7	6	5	4	3	2	1	0
D7	D6	D5	D4	D3	D2	D1	D0
R/W-x	R/W-x	R/W-x	R/W-x	R/W-x	R/W-x	R/W-x	R/W-x

Table 14. EEPROM2 Register Field Descriptions

BIT	FIELD	TYPE	RESET	DESCRIPTION
15:0	D[15:0]	R/W	xxxxh	This 16-bit register is to be used as a scratch pad by the customer.

7.6.1.9 EEPROM3 Register (address = 08h) [reset = xxxh]

This register function is the same as the EEPROM1 register.

Figure 34. EEPROM3 Register

15	14	13	12	11	10	9	8
D15	D14	D13	D12	D11	D10	D9	D8
R/W-x	R/W-x	R/W-x	R/W-x	R/W-x	R/W-x	R/W-x	R/W-x
7	6	5	4	3	2	1	0
D7	D6	D5	D4	D3	D2	D1	D0
R/W-x	R/W-x	R/W-x	R/W-x	R/W-x	R/W-x	R/W-x	R/W-x

Table 15. EEPROM3 Register Field Descriptions

BIT	FIELD	TYPE	RESET	DESCRIPTION
15:0	D[15:0]	R/W	xxxh	This 16-bit register is to be used as a scratch pad by the customer.

7.6.1.10 Device ID Register (address = 0Fh) [reset = x116h]

This read-only register indicates the device ID.

Figure 35. Device ID Register

15	14	13	12	11	10	9	8
—	—	—	—	DID11	DID10	DID9	DID8
R-x	R-x	R-x	R-x	R-0	R-0	R-0	R-1
7	6	5	4	3	2	1	0
DID7	DID6	DID5	DID4	DID3	DID2	DID1	DID0
R-0	R-0	R-0	R-1	R-0	R-1	R-1	R-0

Table 16. Device ID Register Field Descriptions

BIT	FIELD	TYPE	RESET	DESCRIPTION
15:12	—	R	x	Not used.
11:0	DID[11:0]	R	116h	These bits indicate the device ID.

8 Application and Implementation

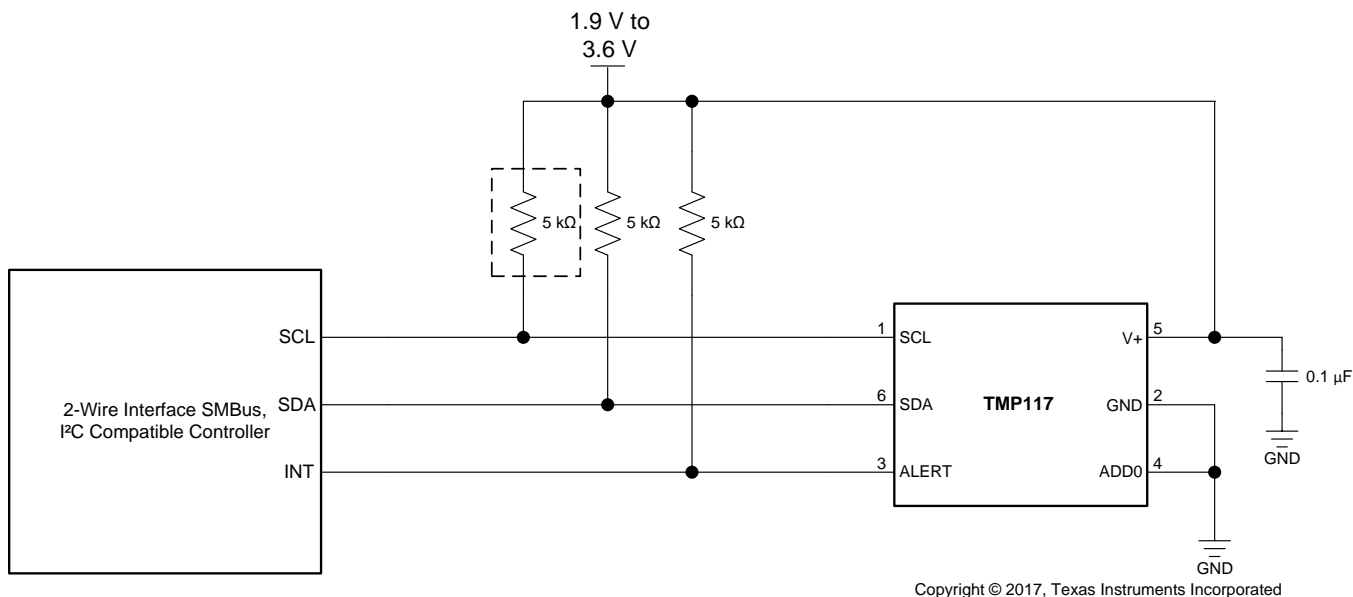
NOTE

Information in the following applications sections is not part of the TI component specification, and TI does not warrant its accuracy or completeness. TI's customers are responsible for determining suitability of components for their purposes. Customers should validate and test their design implementation to confirm system functionality.

8.1 Application Information

The TMP117 is used to measure the temperature of the board location where the device is mounted. The programmable address options allow up to four locations on the board to be monitored on a single serial bus. For more information, refer to the related [TMP116 Ambient Air Temperature Measurement](#) (SNOA966), [Replacing Resistance Temperature Detectors with the TMP116 Temp Sensor](#) (SNOA969), and [Temperature Sensors: PCB Guidelines for Surface Mount Devices](#) (SNOA967) application reports on ti.com.

8.1.1 Typical Application



NOTE: The SDA and ALERT pins require pullup resistors.

Figure 36. Typical Connections

8.1.1.1 Design Requirements

The TMP117 operates only as a slave device and communicates with the host through the I²C-compatible serial interface. SCL is the input pin, SDA is a bidirectional pin, and ALERT is the output. The TMP117 requires a pullup resistor on the SCL, SDA, and ALERT pins. The recommended value for the pullup resistors is 5 kΩ. In some applications the pullup resistor can be lower or higher than 5 kΩ. A 0.1-μF bypass capacitor is recommended to be connected between V+ and GND. An SCL pullup resistor is required if the system microprocessor SCL pin is open-drain. Use a ceramic capacitor type with a temperature rating from -40°C to +125°C, placed as close as possible to the V+ pin of the TMP117. The decoupling capacitor reduces any noise induced by the system. When connected directly to GND, V+, SDA, and SCL, use the ADD0 pin for address selection for configuring four possible unique slave ID addresses. [Table 1](#) explains the addressing scheme. The ALERT output pin can be connected to a microcontroller interrupt that triggers an event that occurred when the temperature limit exceeds the programmable value in registers 02h and 03h. The ALERT pin can be left floating if not in use or connected to ground.

ADVANCE INFORMATION

Application Information (continued)

8.1.1.2 Detailed Design Procedure

8.1.1.2.1 TMP117 Design Procedure

The TMP117 is a local temperature sensor. Measuring a temperature point with a surface-mount device is very challenging because of the external influence of surrounding air and other components. The TMP117 mainly monitors the PCB temperature at the desired hotspot. To maintain accuracy in applications that requires surface temperature measurement, follow good layout techniques (such as understanding the dominant thermal path, isolating the island surround by the package, and keeping the distance as far as possible from the heat source).

For sensors in plastic packages (such as the TMP117 DFN device), [Figure 37](#) shows that the die attach pad (DAP) provides the most dominant thermal path. With the DAP, a board-mounted sensor usually does an excellent job of measuring board temperature. The die sits on top of the metal plate leadframe with a non-conductive die adhesive in between, allowing for a fast thermal response.

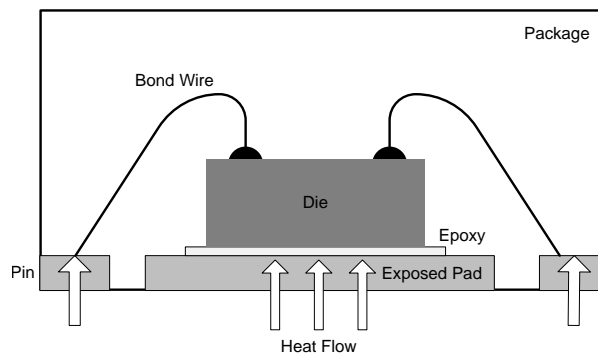


Figure 37. WSON Package Cross Section

Most power-hungry electronic components such as processor chips, field programmable gate arrays (FPGAs), application-specific integrated circuits (ASICs), and voltage regulators heat up during operation. In order to accurately measure the ambient temperature of a sensor in a plastic package, isolate the sensor from the heat source using isolation island techniques and distance. TI recommends two vias per TMP117 dimension of the thermal pad. The DAP and two vias help improve thermal characteristics. Thus, in order to take advantage of this feature, mount the TMP117 on the board with the two copper planes on the top and bottom of the via of equal length as the exposed die attach dimension. The bottom plane contains the temperature sensing elements. In order to achieve the fast temperature response, the mini board dimension must be enough to accommodate the TMP117 and the bypass capacitor with the isolation air gap to prevent the heat source dissipated to the mini sub-board.

8.1.1.2.2 Noise and Averaging

The device temperature sampling distribution (without internal averaging) covers an area of approximately six neighboring codes. The noise area of the six codes remains the same at full supply and full temperature range with a standard deviation of approximately 1 LSB. The device provides an averaging tool for 8, 32, and 64 samples. As illustrated in , even the 8-sample averaging reduces the internal noise distribution to a theoretical minimum of 2 LSB. This averaging means that if the system temperature slowly changes and the supply voltage is stable, then the 8-sample averaging can be enough to neutralize the device noise and provide stable temperature readings. However, if the system temperature is noisy (such as when measuring air flow temperatures), than higher averaging numbers are recommended to be used.

Application Information (continued)

8.1.1.2.3 Self-Heating Effect (SHE)

During ADC conversion some power is dissipated that heats the device despite the small power consumption of the TMP117. Consider the self-heating effect (SHE) for certain precise measurements. Figure 38 shows the device SHE in still air at 25°C after the supply is switched on. The device package, including the thermal pad, is soldered to the 11-mm x 20-mm x 1.1-mm size coupon board. The board is located horizontally, with the device on top. The TMP117 is in continuous conversion mode with 64 sampling averaging and zero conversion cycle time. There is no digital bus activity aside from reading temperature data one time each second. As shown in Figure 38, the SHE stabilization time in still air is greater when the device dissipates more power.

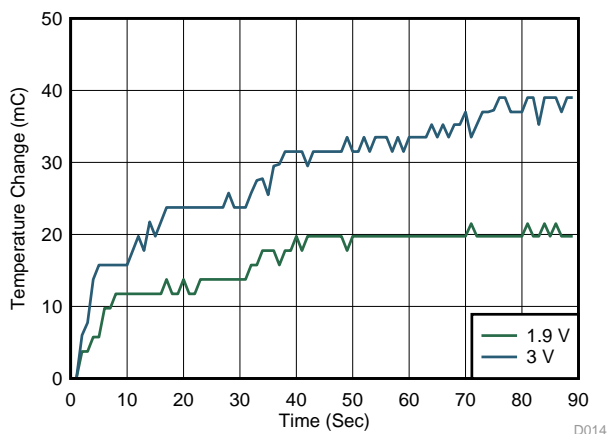


Figure 38. Self-Heating in Still Air vs. Temperature and Dissipated Power

The SHE drift is strongly proportional to the device dissipated power. The SHE drift is also proportional to the device temperature because the consumption current with the same supply voltage increases with temperature. Figure 39 shows the SHE drifts versus temperature and dissipated power at 25°C for the same coupon board and the same conditions described previously.

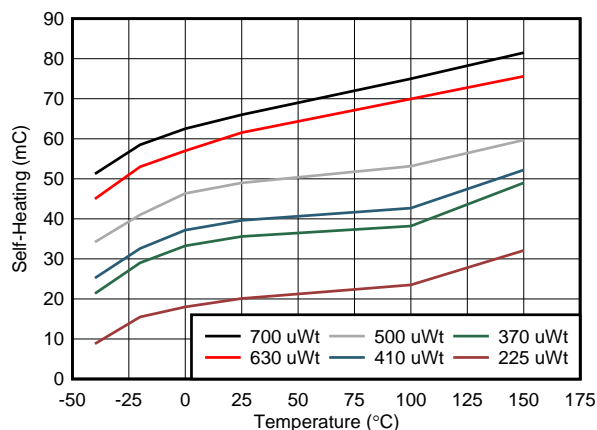


Figure 39. Self-Heating in Still Air vs. Temperature and Dissipated Power at 25°C

To estimate the SHE for similar size boards, calculate the device consumption power for 25°C and use the corresponding power line shown in Figure 39. For example, in CC mode without DC at a 3.3-V supply at 25°C, the device dissipates 410 μ Wt. So self-heating in still air is approximately 40 m°C for the described condition.

Application Information (continued)

The following methods can reduce the SHE:

- System calibration removes not only the self-heating error and power-supply rejection ratio (PSRR) effect but also compensates the temperature shift caused by the thermal resistance between the device and the measured object.
- If practical, use the device one-shot mode. If continuous conversion is needed, use the conversion cycle mode with significant standby time. For example, in most cases an 8-sample averaging (125 ms) with a 1-second conversion cycle provides enough time for the device to cool down to the environment temperature and removes the SHE.
- Use the minimal acceptable power supply voltage.
- Use a printed-circuit board (PCB) layout that provides minimal thermal resistance to the device.
- Avoid using small-value pullup resistors on the SDA and ALERT pins. Instead, use pullup resistors larger than 2 k Ω .
- Ensure that the SCL and SDA signal levels remain below 10% or above 90% of the device supply voltage.
- Avoid heavy bypass traffic on the data line. Communication to other devices on the same data line increases the supply current even if the device is in SD mode.
- Use the highest available communication speed.

8.1.1.2.4 Synchronized Temperature Measurements

When four temperature measurements are needed in four different places simultaneously, triggering a reset is recommended. In this method, four devices are programmed with control registers set to CC mode with a conversion cycle time of 16 s. All four devices are connected to same two-wire bus with four different bus addresses. The bus general-call reset command is issued by the master. This command triggers all devices to reset (which takes approximately 1.5 ms) and triggers a simultaneous temperature sampling according to configuration registers setting. The master has 16 seconds to read data from the devices.

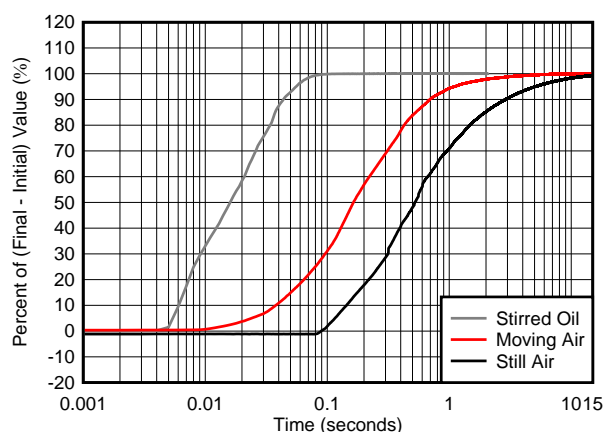
Application Information (continued)

8.1.1.3 Application Curve

Figure 40 shows how fast the TMP117 reacts to changes in temperature. Two elements must be considered when conducting the thermal responses experiment: the thermal conductivity and thermal mass. Thermal conductivity is the measure of the capacity of a material (such as still air or stirred oil) to conduct heat. Thermal conductivity is mainly used to describe how heat is conducted through a material. Higher values reflect greater efficiency of transferring heat. A good layout technique is to keep the thermal mass as small as possible. Smaller thermal masses result in better thermal responses.

The purpose of these experiments is to investigate how much time is required for the TMP117 temperature to reach the set point temperature and stabilize. There are three types of tests for the thermal response: still air, moving air, and stirred oil, as shown in Figure 40. This figure shows the step response of the TMP117 enclosed in a chamber of still air, in a wind tunnel of moving air, and submerged in an oil bath (for the respective traces) in a temperature environment of 70°C from room temperature (23°C). The time-constant, or the time for the output to reach 63% of the input step is dependent on the type of test. The time-constant result depends on the PCB and the thickness of the board that the TMP117 is mounted to. For this test, the TMP117EVM is used to perform the thermal response. The TMP117EVM dimension is 7.6 mm × 17.8 mm with a 1-mm thickness.

Among all methods, still air has the slowest thermal response because of the enclosed box placed inside the oven chamber without any helping elements, whereas the stirred oil experiment yields the fastest thermal response time.



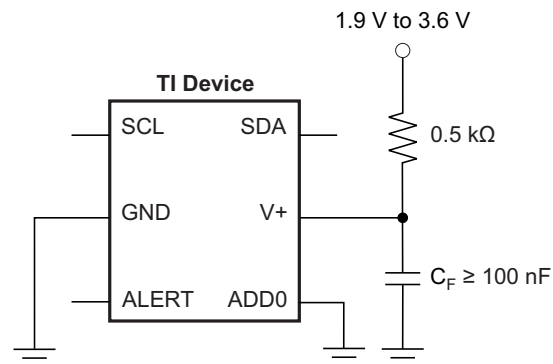
$$V+ = 3.3 \text{ V}, t_{\text{INITIAL}} = 23^{\circ}\text{C}, t_{\text{FINAL}} = 70^{\circ}\text{C}$$

Figure 40. Thermal Response

9 Power Supply Recommendations

The TMP117 operates on a power-supply range from 1.9 V to 5.5 V. The device is trimmed for operation at a 3.3-V supply, but can measure temperature accurately in the full supply range. A power-supply bypass capacitor is required, which must be placed as close to the supply and ground pins of the device as possible. A typical value for this supply bypass capacitor is 100 nF. Applications with noisy or high-impedance power supplies may require additional decoupling capacitors to reject power-supply noise.

The TMP117 is a very low-power device that generates low noise on the supply bus. The user can apply an RC filter to the V+ pin of the device to further reduce noise that the TMP117 might propagate to other components. R_F in Figure 41 must be less than 0.5 k Ω and C_F must be at least 100 nF. The package thermal pad is not connected to the device ground and can be left floating for convenience or grounded for better thermal resistance.



Copyright © 2017, Texas Instruments Incorporated

Figure 41. Noise-Reduction Techniques

10 Layout

10.1 Layout Guidelines

NOTE

To achieve a high-precision temperature reading for a rigid PCB, do not solder down the thermal pad. For a flexible PCB, the user can solder the thermal pad to increase board level reliability.

For more information on board layout, refer to the related [Precise Temperature Measurements With TMP116](#) (SNOA986) and [Wearable Temperature Sensing Layout Considerations Optimized for Thermal Response](#) (SNIA021) application reports on ti.com.

Place the power-supply bypass capacitor as close as possible to the supply and ground pins. The recommended value of this bypass capacitor is 0.1 μ F. Additional decoupling capacitance can be added to compensate for noisy or high-impedance power supplies. In some cases, the pullup resistor can be the heat source, therefore, maintain some distance between the resistor and the device. Mount the TMP117 on the PCB pad to provide the minimum thermal resistance to the measured object surface or to the surrounding air. The recommended PCB layout minimizes the device self-heating effect, reduces the time delay as temperature changes, and minimizes the temperature offset between the device and the object.

10.2 Layout Example

- VIA to Power or Ground Plane
- VIA to Internal Layer

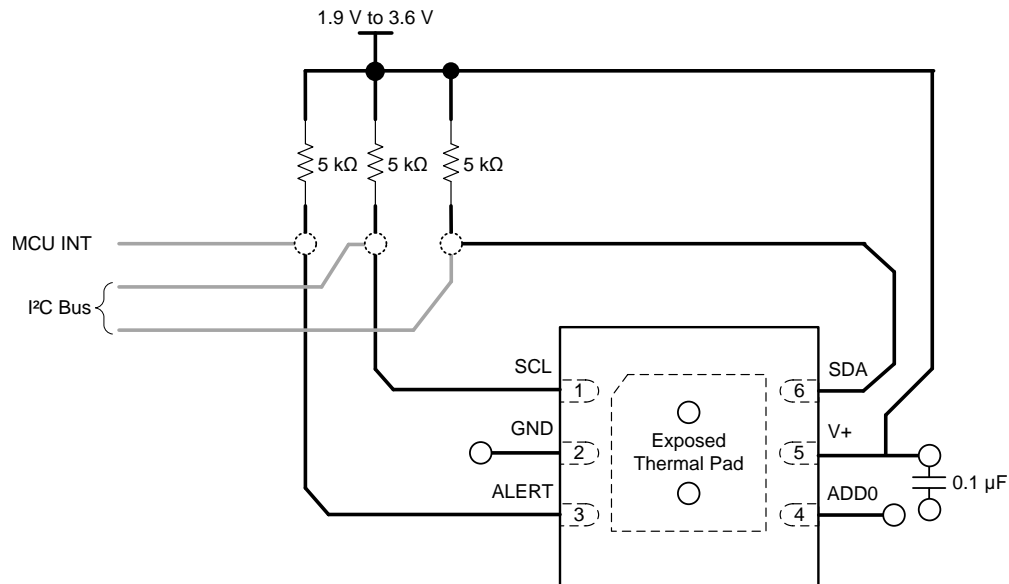


Figure 42. Layout Recommendation

11 Device and Documentation Support

11.1 Documentation Support

11.1.1 Related Documentation

For related documentation see the following:

- [TMPx75 Temperature Sensor With I²C and SMBus Interface in Industry Standard LM75 Form Factor and Pinout](#) (SBOS288)
- [TMP275 ±0.5°C Temperature Sensor With I2C and SMBus Interface in Industry Standard LM75 Form Factor and Pinout](#) (SBOS363)
- [TMP116 Ambient Air Temperature Measurement](#) (SNOA966)
- [Replacing Resistance Temperature Detectors with the TMP116 Temp Sensor](#) (SNOA969)
- [Temperature Sensors: PCB Guidelines for Surface Mount Devices](#) (SNOA967)
- [Precise Temperature Measurements With TMP116](#) (SNOA986)
- [Wearable Temperature Sensing Layout Considerations Optimized for Thermal Response](#) (SNIA021)

11.2 Receiving Notification of Documentation Updates

To receive notification of documentation updates, navigate to the device product folder on ti.com. In the upper right corner, click on *Alert me* to register and receive a weekly digest of any product information that has changed. For change details, review the revision history included in any revised document.

11.3 Community Resources

The following links connect to TI community resources. Linked contents are provided "AS IS" by the respective contributors. They do not constitute TI specifications and do not necessarily reflect TI's views; see TI's [Terms of Use](#).

TI E2E™ Online Community *TI's Engineer-to-Engineer (E2E) Community*. Created to foster collaboration among engineers. At e2e.ti.com, you can ask questions, share knowledge, explore ideas and help solve problems with fellow engineers.

Design Support *TI's Design Support* Quickly find helpful E2E forums along with design support tools and contact information for technical support.

11.4 Trademarks

E2E is a trademark of Texas Instruments.

SMBus is a trademark of Intel Corporation.

All other trademarks are the property of their respective owners.

11.5 Electrostatic Discharge Caution



This integrated circuit can be damaged by ESD. Texas Instruments recommends that all integrated circuits be handled with appropriate precautions. Failure to observe proper handling and installation procedures can cause damage.

ESD damage can range from subtle performance degradation to complete device failure. Precision integrated circuits may be more susceptible to damage because very small parametric changes could cause the device not to meet its published specifications.

11.6 Glossary

[SLYZ022](#) — *TI Glossary*.

This glossary lists and explains terms, acronyms, and definitions.

12 Mechanical, Packaging, and Orderable Information

The following pages include mechanical, packaging, and orderable information. This information is the most current data available for the designated devices. This data is subject to change without notice and revision of this document. For browser-based versions of this data sheet, refer to the left-hand navigation.

PACKAGING INFORMATION

Orderable Device	Status (1)	Package Type	Package Drawing	Pins	Package Qty	Eco Plan (2)	Lead/Ball Finish (6)	MSL Peak Temp (3)	Op Temp (°C)	Device Marking (4/5)	Samples
PTMP117AIDRVR	ACTIVE	WSON	DRV	6	3000	TBD	Call TI	Call TI	-55 to 150		Samples

(1) The marketing status values are defined as follows:

ACTIVE: Product device recommended for new designs.

LIFEBUY: TI has announced that the device will be discontinued, and a lifetime-buy period is in effect.

NRND: Not recommended for new designs. Device is in production to support existing customers, but TI does not recommend using this part in a new design.

PREVIEW: Device has been announced but is not in production. Samples may or may not be available.

OBSOLETE: TI has discontinued the production of the device.

(2) **RoHS:** TI defines "RoHS" to mean semiconductor products that are compliant with the current EU RoHS requirements for all 10 RoHS substances, including the requirement that RoHS substance do not exceed 0.1% by weight in homogeneous materials. Where designed to be soldered at high temperatures, "RoHS" products are suitable for use in specified lead-free processes. TI may reference these types of products as "Pb-Free".

RoHS Exempt: TI defines "RoHS Exempt" to mean products that contain lead but are compliant with EU RoHS pursuant to a specific EU RoHS exemption.

Green: TI defines "Green" to mean the content of Chlorine (Cl) and Bromine (Br) based flame retardants meet JS709B low halogen requirements of <=1000ppm threshold. Antimony trioxide based flame retardants must also meet the <=1000ppm threshold requirement.

(3) MSL, Peak Temp. - The Moisture Sensitivity Level rating according to the JEDEC industry standard classifications, and peak solder temperature.

(4) There may be additional marking, which relates to the logo, the lot trace code information, or the environmental category on the device.

(5) Multiple Device Markings will be inside parentheses. Only one Device Marking contained in parentheses and separated by a "~" will appear on a device. If a line is indented then it is a continuation of the previous line and the two combined represent the entire Device Marking for that device.

(6) Lead/Ball Finish - Orderable Devices may have multiple material finish options. Finish options are separated by a vertical ruled line. Lead/Ball Finish values may wrap to two lines if the finish value exceeds the maximum column width.

Important Information and Disclaimer: The information provided on this page represents TI's knowledge and belief as of the date that it is provided. TI bases its knowledge and belief on information provided by third parties, and makes no representation or warranty as to the accuracy of such information. Efforts are underway to better integrate information from third parties. TI has taken and continues to take reasonable steps to provide representative and accurate information but may not have conducted destructive testing or chemical analysis on incoming materials and chemicals. TI and TI suppliers consider certain information to be proprietary, and thus CAS numbers and other limited information may not be available for release.

In no event shall TI's liability arising out of such information exceed the total purchase price of the TI part(s) at issue in this document sold by TI to Customer on an annual basis.

GENERIC PACKAGE VIEW

DRV 6

WSON - 0.8 mm max height

PLASTIC SMALL OUTLINE - NO LEAD



Images above are just a representation of the package family, actual package may vary.
Refer to the product data sheet for package details.

4206925/F

IMPORTANT NOTICE

Texas Instruments Incorporated (TI) reserves the right to make corrections, enhancements, improvements and other changes to its semiconductor products and services per JESD46, latest issue, and to discontinue any product or service per JESD48, latest issue. Buyers should obtain the latest relevant information before placing orders and should verify that such information is current and complete.

TI's published terms of sale for semiconductor products (<http://www.ti.com/sc/docs/stdterms.htm>) apply to the sale of packaged integrated circuit products that TI has qualified and released to market. Additional terms may apply to the use or sale of other types of TI products and services.

Reproduction of significant portions of TI information in TI data sheets is permissible only if reproduction is without alteration and is accompanied by all associated warranties, conditions, limitations, and notices. TI is not responsible or liable for such reproduced documentation. Information of third parties may be subject to additional restrictions. Resale of TI products or services with statements different from or beyond the parameters stated by TI for that product or service voids all express and any implied warranties for the associated TI product or service and is an unfair and deceptive business practice. TI is not responsible or liable for any such statements.

Buyers and others who are developing systems that incorporate TI products (collectively, "Designers") understand and agree that Designers remain responsible for using their independent analysis, evaluation and judgment in designing their applications and that Designers have full and exclusive responsibility to assure the safety of Designers' applications and compliance of their applications (and of all TI products used in or for Designers' applications) with all applicable regulations, laws and other applicable requirements. Designer represents that, with respect to their applications, Designer has all the necessary expertise to create and implement safeguards that (1) anticipate dangerous consequences of failures, (2) monitor failures and their consequences, and (3) lessen the likelihood of failures that might cause harm and take appropriate actions. Designer agrees that prior to using or distributing any applications that include TI products, Designer will thoroughly test such applications and the functionality of such TI products as used in such applications.

TI's provision of technical, application or other design advice, quality characterization, reliability data or other services or information, including, but not limited to, reference designs and materials relating to evaluation modules, (collectively, "TI Resources") are intended to assist designers who are developing applications that incorporate TI products; by downloading, accessing or using TI Resources in any way, Designer (individually or, if Designer is acting on behalf of a company, Designer's company) agrees to use any particular TI Resource solely for this purpose and subject to the terms of this Notice.

TI's provision of TI Resources does not expand or otherwise alter TI's applicable published warranties or warranty disclaimers for TI products, and no additional obligations or liabilities arise from TI providing such TI Resources. TI reserves the right to make corrections, enhancements, improvements and other changes to its TI Resources. TI has not conducted any testing other than that specifically described in the published documentation for a particular TI Resource.

Designer is authorized to use, copy and modify any individual TI Resource only in connection with the development of applications that include the TI product(s) identified in such TI Resource. NO OTHER LICENSE, EXPRESS OR IMPLIED, BY ESTOPPEL OR OTHERWISE TO ANY OTHER TI INTELLECTUAL PROPERTY RIGHT, AND NO LICENSE TO ANY TECHNOLOGY OR INTELLECTUAL PROPERTY RIGHT OF TI OR ANY THIRD PARTY IS GRANTED HEREIN, including but not limited to any patent right, copyright, mask work right, or other intellectual property right relating to any combination, machine, or process in which TI products or services are used. Information regarding or referencing third-party products or services does not constitute a license to use such products or services, or a warranty or endorsement thereof. Use of TI Resources may require a license from a third party under the patents or other intellectual property of the third party, or a license from TI under the patents or other intellectual property of TI.

TI RESOURCES ARE PROVIDED "AS IS" AND WITH ALL FAULTS. TI DISCLAIMS ALL OTHER WARRANTIES OR REPRESENTATIONS, EXPRESS OR IMPLIED, REGARDING RESOURCES OR USE THEREOF, INCLUDING BUT NOT LIMITED TO ACCURACY OR COMPLETENESS, TITLE, ANY EPIDEMIC FAILURE WARRANTY AND ANY IMPLIED WARRANTIES OF MERCHANTABILITY, FITNESS FOR A PARTICULAR PURPOSE, AND NON-INFRINGEMENT OF ANY THIRD PARTY INTELLECTUAL PROPERTY RIGHTS. TI SHALL NOT BE LIABLE FOR AND SHALL NOT DEFEND OR INDEMNIFY DESIGNER AGAINST ANY CLAIM, INCLUDING BUT NOT LIMITED TO ANY INFRINGEMENT CLAIM THAT RELATES TO OR IS BASED ON ANY COMBINATION OF PRODUCTS EVEN IF DESCRIBED IN TI RESOURCES OR OTHERWISE. IN NO EVENT SHALL TI BE LIABLE FOR ANY ACTUAL, DIRECT, SPECIAL, COLLATERAL, INDIRECT, PUNITIVE, INCIDENTAL, CONSEQUENTIAL OR EXEMPLARY DAMAGES IN CONNECTION WITH OR ARISING OUT OF TI RESOURCES OR USE THEREOF, AND REGARDLESS OF WHETHER TI HAS BEEN ADVISED OF THE POSSIBILITY OF SUCH DAMAGES.

Unless TI has explicitly designated an individual product as meeting the requirements of a particular industry standard (e.g., ISO/TS 16949 and ISO 26262), TI is not responsible for any failure to meet such industry standard requirements.

Where TI specifically promotes products as facilitating functional safety or as compliant with industry functional safety standards, such products are intended to help enable customers to design and create their own applications that meet applicable functional safety standards and requirements. Using products in an application does not by itself establish any safety features in the application. Designers must ensure compliance with safety-related requirements and standards applicable to their applications. Designer may not use any TI products in life-critical medical equipment unless authorized officers of the parties have executed a special contract specifically governing such use. Life-critical medical equipment is medical equipment where failure of such equipment would cause serious bodily injury or death (e.g., life support, pacemakers, defibrillators, heart pumps, neurostimulators, and implantables). Such equipment includes, without limitation, all medical devices identified by the U.S. Food and Drug Administration as Class III devices and equivalent classifications outside the U.S.

TI may expressly designate certain products as completing a particular qualification (e.g., Q100, Military Grade, or Enhanced Product). Designers agree that it has the necessary expertise to select the product with the appropriate qualification designation for their applications and that proper product selection is at Designers' own risk. Designers are solely responsible for compliance with all legal and regulatory requirements in connection with such selection.

Designer will fully indemnify TI and its representatives against any damages, costs, losses, and/or liabilities arising out of Designer's non-compliance with the terms and provisions of this Notice.