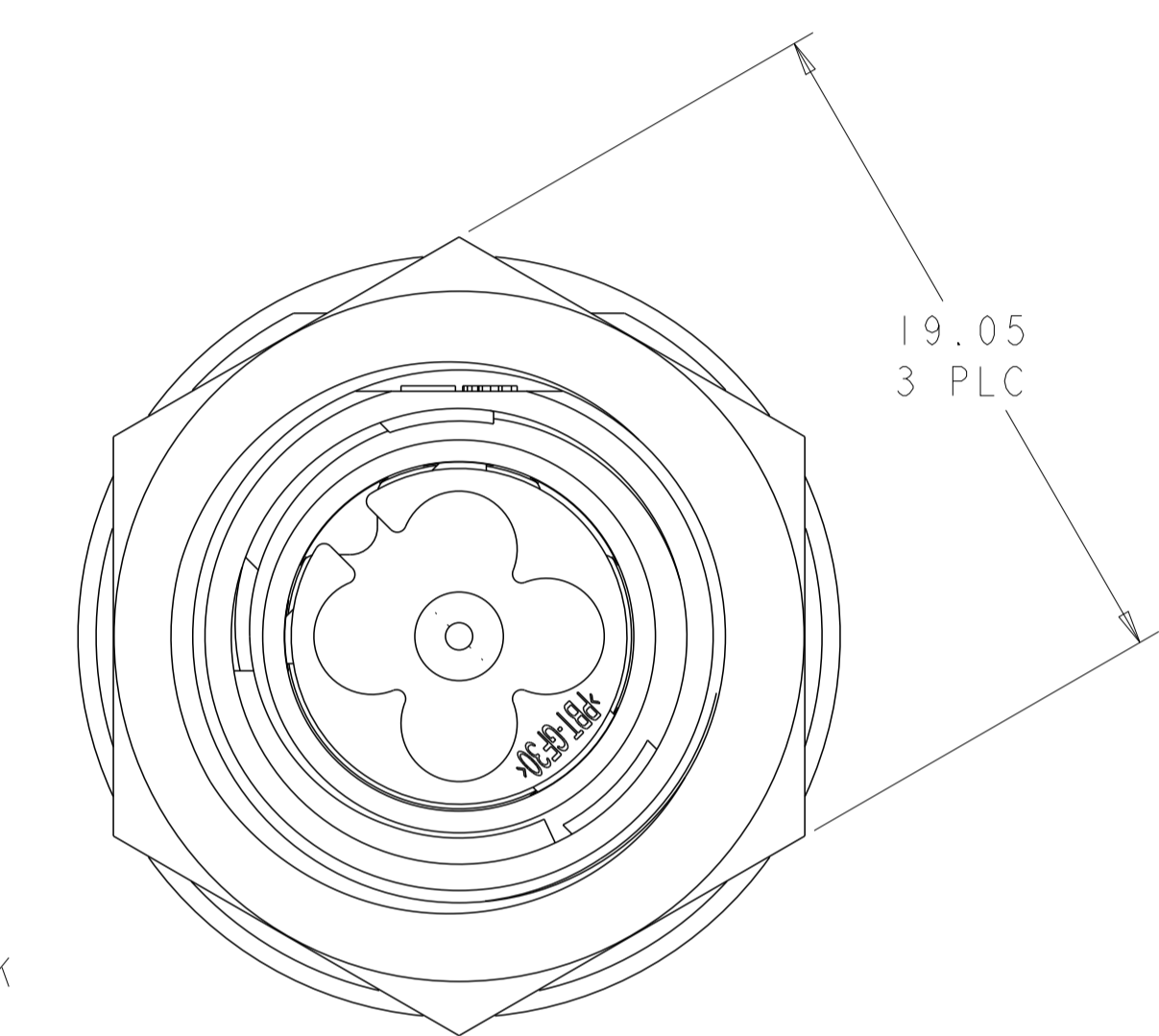
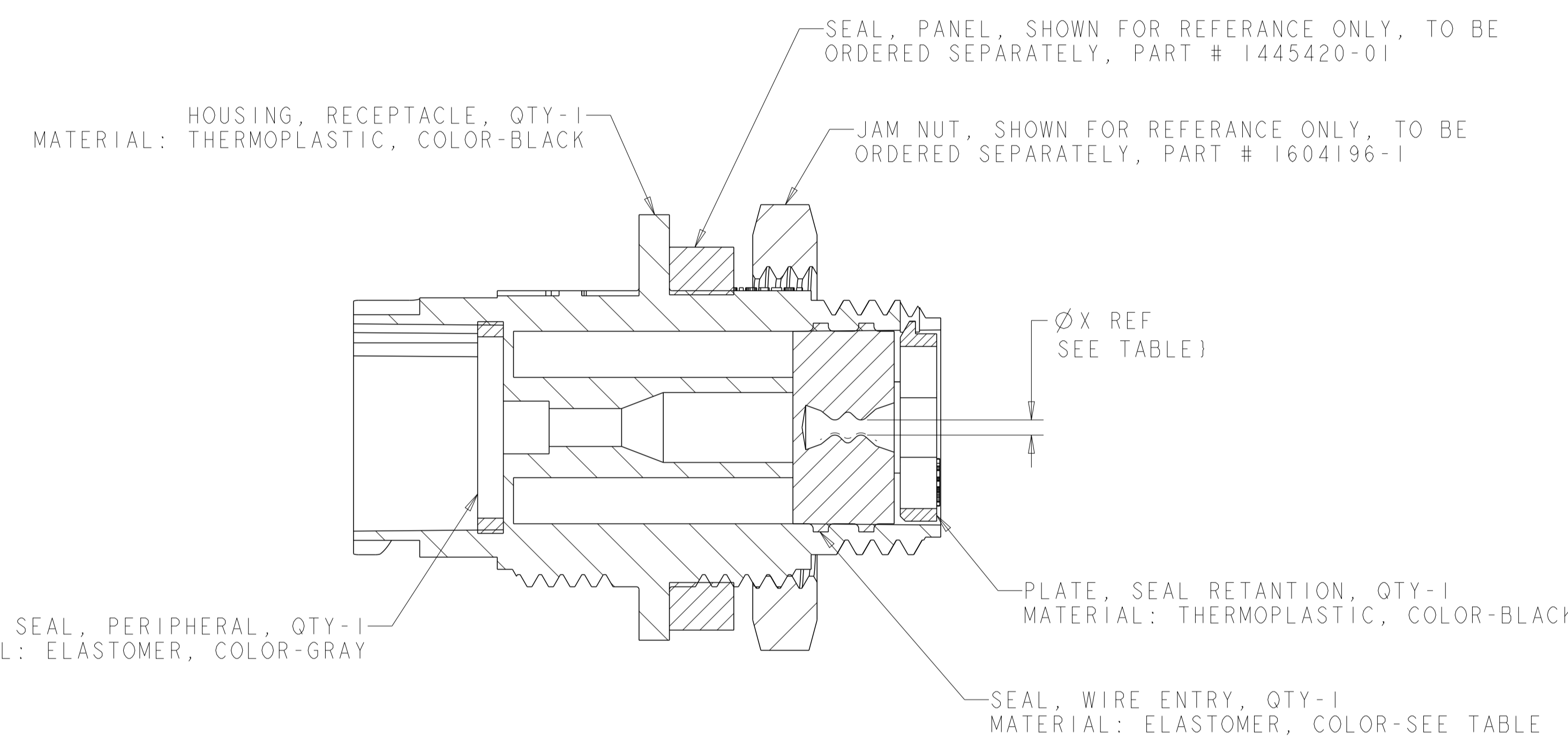
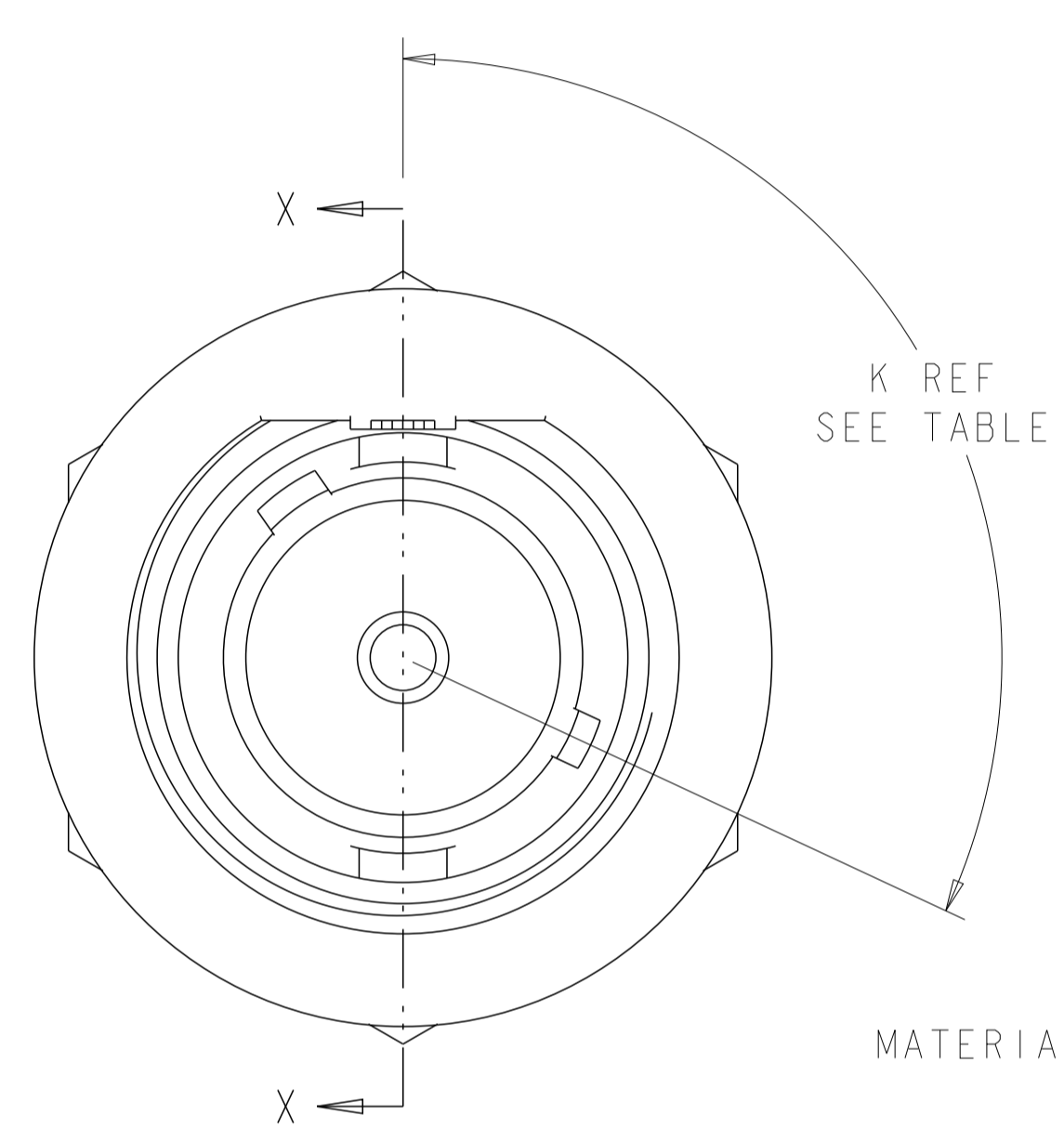
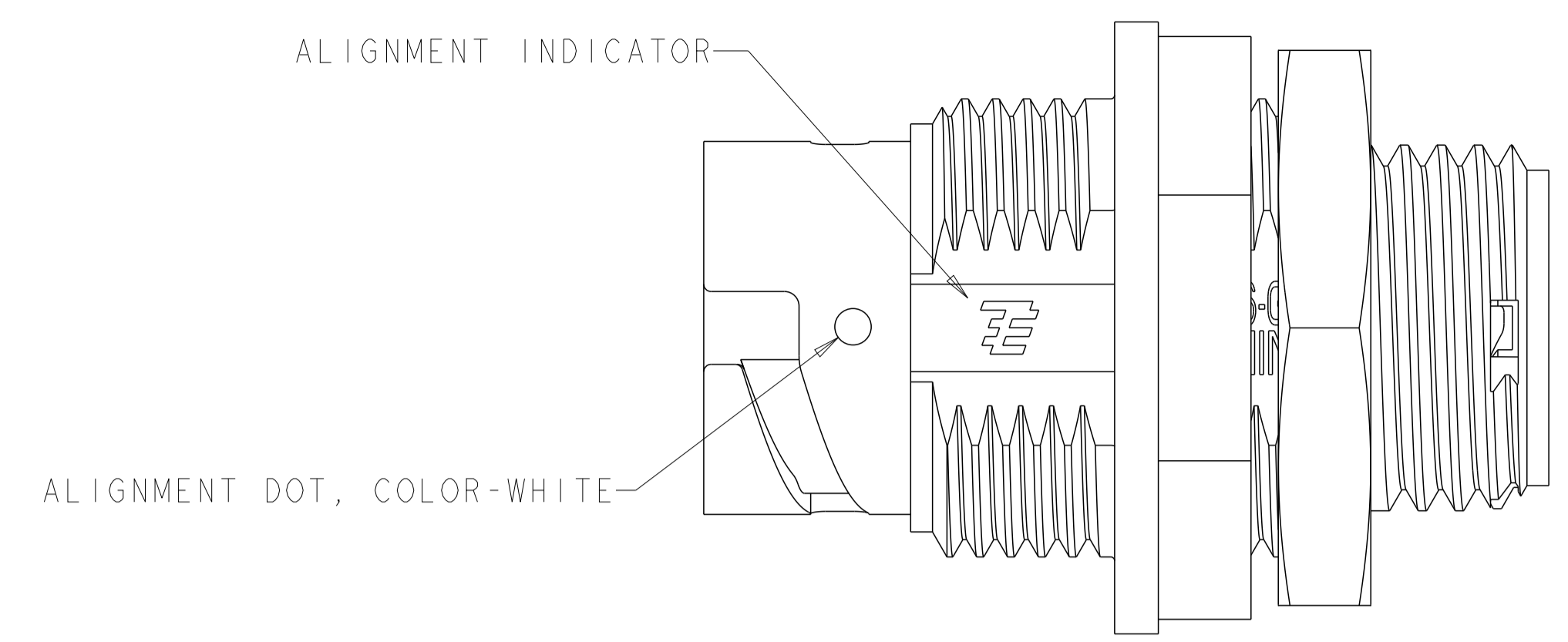
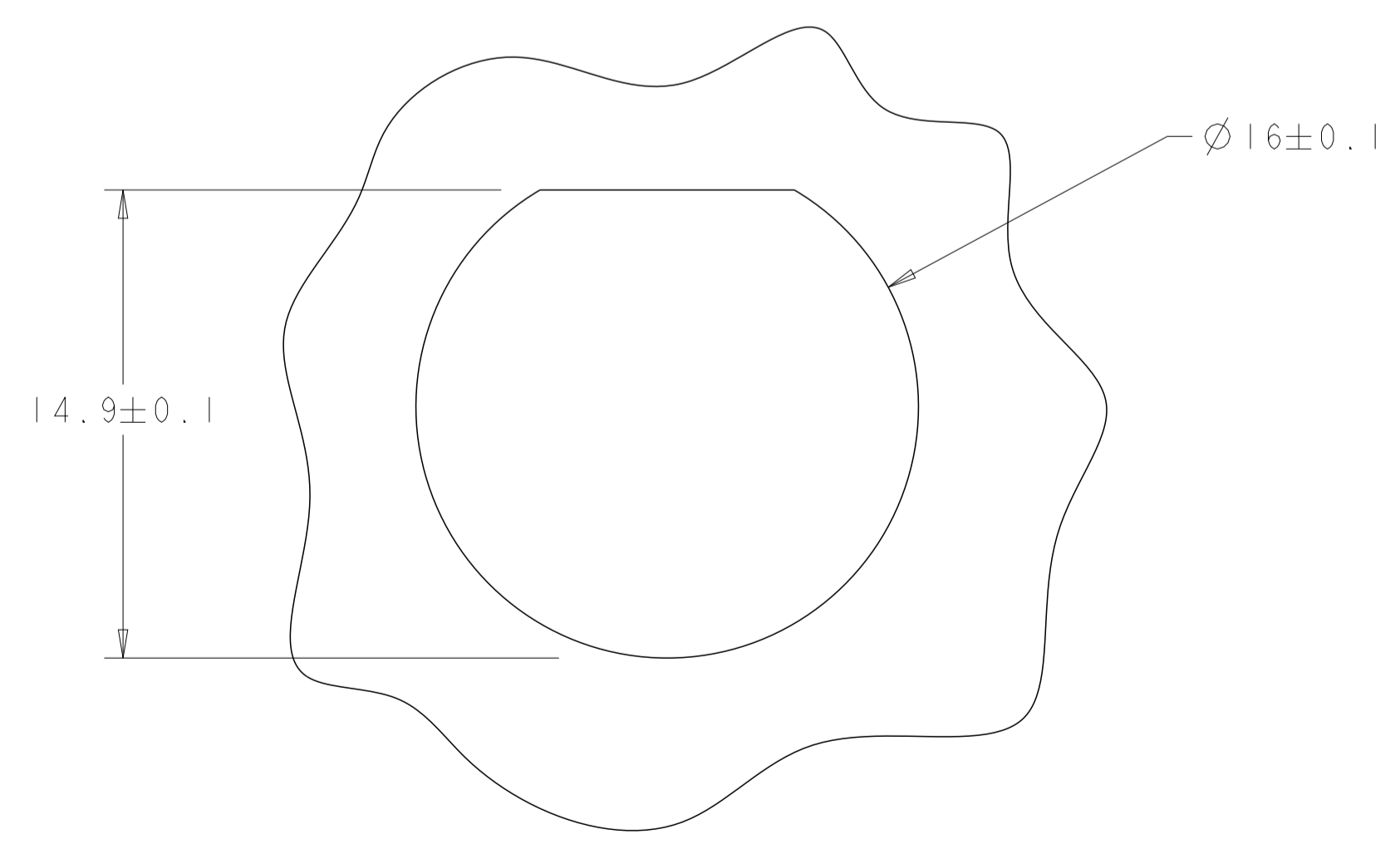
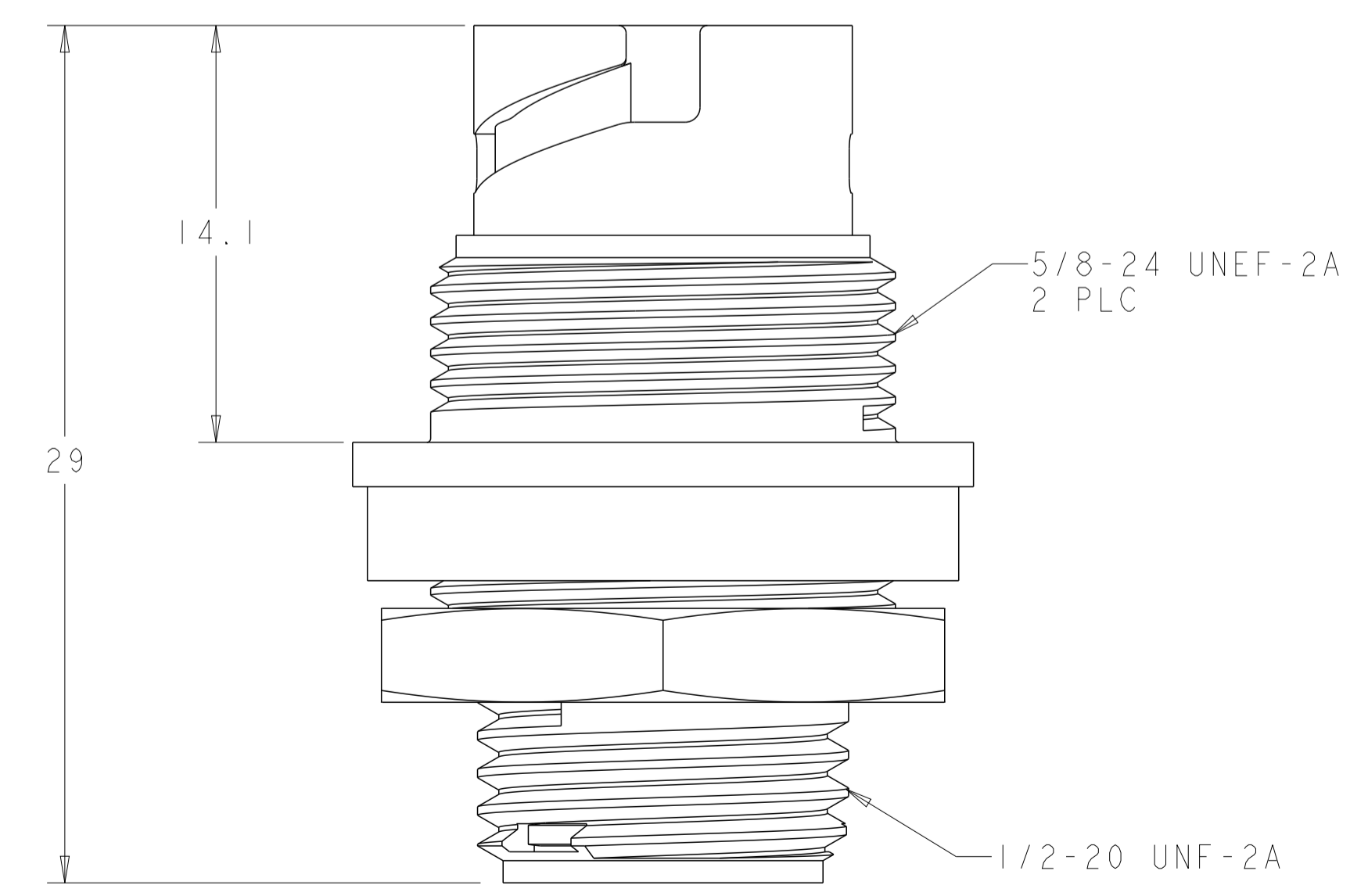


| REVISIONS | | | | |
|-----------|-----|---------------------------|-----------|-------|
| P | LTN | DESCRIPTION | DATE | APVD |
| B2 | | REVISED PER ECO-15-010004 | 11JUL2015 | NK MZ |
| | | | | |
| | | | | |



SECTION X-X

1. CONNECTOR CAN BE FRONT OR REAR PANEL MOUNTED.
 △ MAX PANEL THICKNESS - 3.18



SUGGESTED PANEL CUTOUT △

| | | | |
|------------------------|---------|-------|-------------|
| YELLOW | Ø 0.75 | 130° | 1445539-04 |
| NATURAL | Ø 1.5 | 115° | 1445539-03 |
| NATURAL | Ø 1.5 | 130° | 1445539-02 |
| YELLOW | Ø 0.75 | 115° | 1445539-01 |
| SEAL, WIRE ENTRY COLOR | Ø X REF | K REF | PART NUMBER |

| | | | |
|---|--|---------------------------|---|
| THIS DRAWING IS A CONTROLLED DOCUMENT. | | OWN: S. WIEST 08MAY2001 | TE Connectivity |
| DIMENSIONS: mm | | CHK: G. DOUTY 08MAY2001 | |
| TOLERANCES UNLESS OTHERWISE SPECIFIED: 0 PLC ±0.5 1 PLC ±0.13 2 PLC ±0.013 3 PLC ±0.001 ANGLES ±0.0001 | | APVD: H. WAKEEM 13JUN2003 | NAME: ASSEMBLY, RECEPTACLE, SIZE 8, 1 POSITION, PANEL MOUNT, MINI CPC |
| MATERIAL: SEE CALLOUT | | WEIGHT: - | RESTRICTED TO: - |
| CUSTOMER DRAWING | | SCALE: 5:1 | SHEET 1 OF 1 REV B2 |