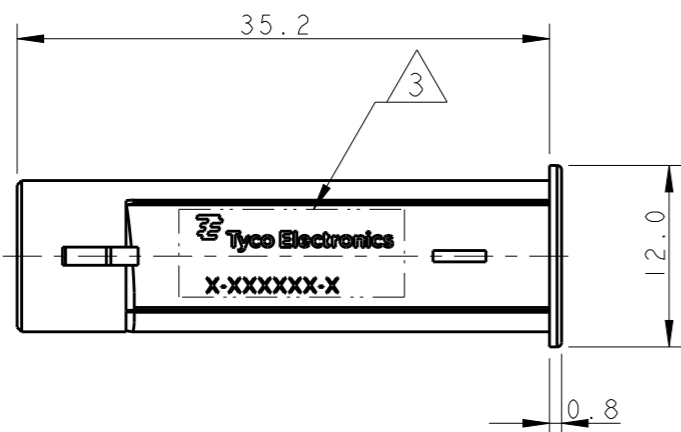


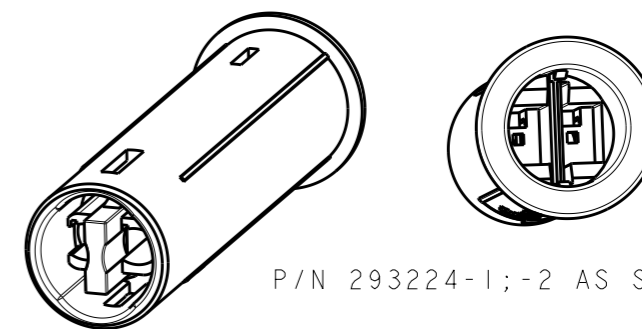
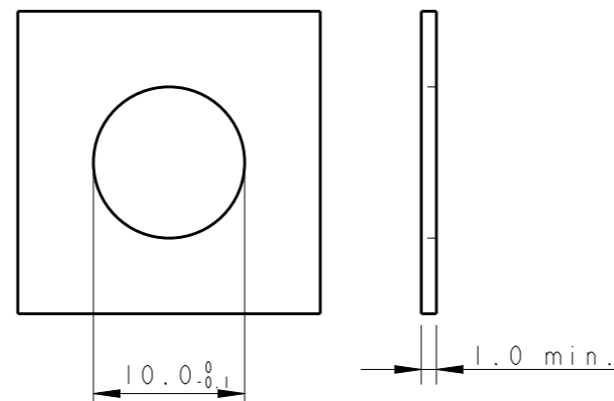
THIS DRAWING IS UNPUBLISHED. RELEASED FOR PUBLICATION 2005
© COPYRIGHT 2005 BY - ALL RIGHTS RESERVED.

REVISIONS

P	LTR	DESCRIPTION	DATE	DWN	APVD
C1		ADDED PANEL LAYOUT	08APR2008	AV	GT
C2		MODIFIED	02FEB2010	AV	GT
C3		REVISED PER ECR-16-005692	31MAY2016	RS	JL
D		ECR-16-017348	24FEB2017	RK	JL

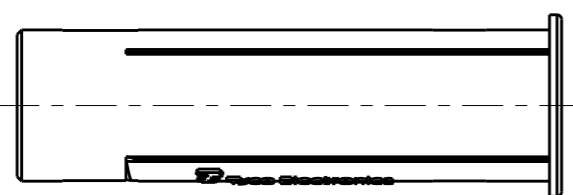
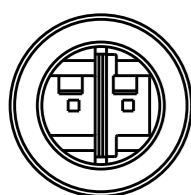


PANEL LAYOUT CONFIGURATION

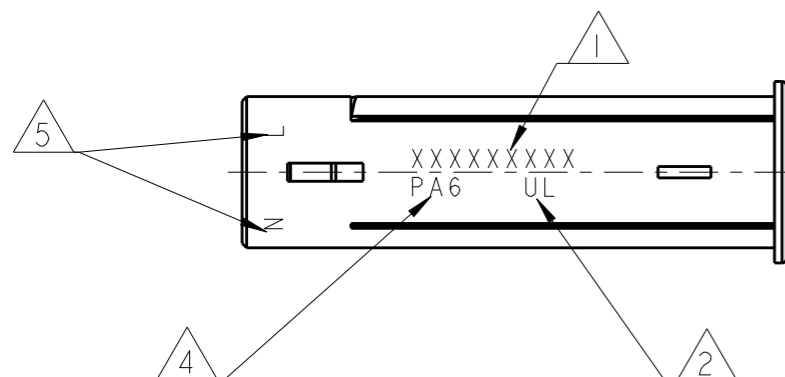


P/N 293224-1;-2 AS SHOWN

KEYING HV-4

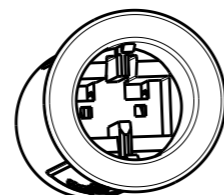
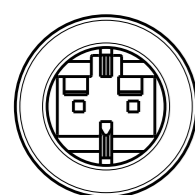


- 1 KEYING DEPENDENT MARKING (SEE TABLE)
- 2 INSERT FOR UL, LOGO DESIGN BUT NOT EXECUTE
- 3 PART MARKING
-Tyco Electronics Product Identifier
Date Code
Part number
- 4 RAW MATERIAL IDENTIFICATION
PA6 or PBT GF15%
- 5 WAY IDENTIFICATION



	LV-2	LOW-VOLT 125VAC/VDC	7A 125VAC/VDC=	BLACK	293224-6
	LV-2	LOW-VOLT 125VAC/VDC	7A 125VAC/VDC=	WHITE	293224-5
	HV-4	HIGH-VOLT 250 Vac	2.5A/250Vac	BLACK	293224-2
	HV-4	HIGH-VOLT 250 Vac	2.5A/250Vac	WHITE	293224-1
NOTE	KEYING	REMARKS	MARKING 1	COLOR	P/N

P/N 293224-5;-6 AS SHOWN
KEYING LV-2



THIS DRAWING IS A CONTROLLED DOCUMENT.

DWN 27JUN2006
A. Vecchia
CHK 27JUN2006
G. Turco
APVD -



NAME
HOUSING PANEL OUTLET

DIMENSIONS:	TOLERANCES UNLESS OTHERWISE SPECIFIED:
mm	
0 PLC	±
1 PLC	±0.3
2 PLC	±
3 PLC	±
4 PLC	±
ANGLES	±
MATERIAL	FINISH

PRODUCT SPEC
APPLICATION SPEC
WEIGHT

SIZE	CAGE CODE	DRAWING NO	RESTRICTED TO
A3	00779	C-293224	-

CUSTOMER DRAWING SCALE 2:1 SHEET 1 OF 1 REV D

Mouser Electronics

Authorized Distributor

Click to View Pricing, Inventory, Delivery & Lifecycle Information:

[TE Connectivity:](#)

[293224-2](#)