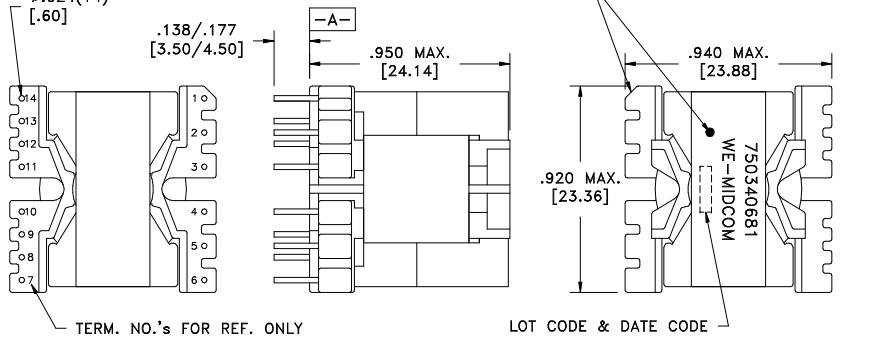


CUSTOMER TERMINAL	RoHS	LEAD(Pb)-FREE
Sn96%, Ag4%	Yes	Yes

more than you expect

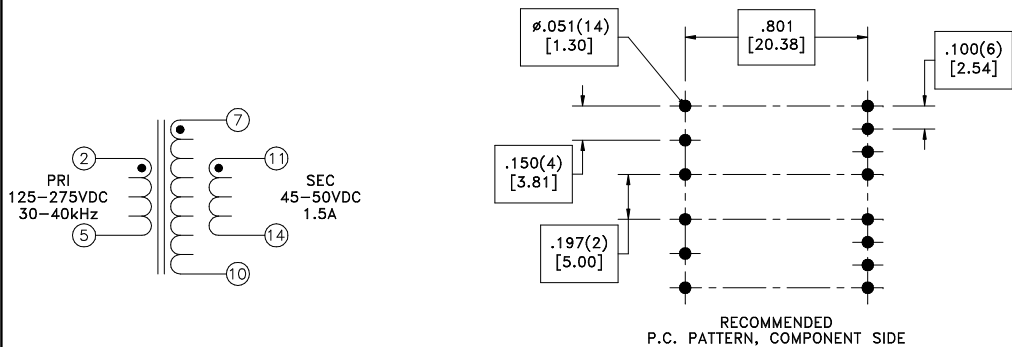


PART MUST INSERT FULLY TO SURFACE A IN RECOMMENDED GRID
 $\phi.024(14)$
 $[.60]$



ELECTRICAL SPECIFICATIONS @ 25°C unless otherwise noted:

PARAMETER	TEST CONDITIONS	VALUE
D.C. RESISTANCE	5-2 @20°C	1.0 ohms max.
D.C. RESISTANCE	7-10 tie(7+11, 10+14) @20°C	0.1 ohms max.
INDUCTANCE	2-5 45kHz, 100mVAC, Ls	6mH min.
LEAKAGE INDUCTANCE	2-5 tie(7+11+14+10), 45kHz, 100mVAC, Ls	90-100uH
DIELECTRIC	tie(7+11), 3750VAC, 1 second	3000VAC, 1 minute
URNS RATIO	(2-5):(7-10)	5:1, ±2%
URNS RATIO	(2-5):(11-14)	5:1, ±2%



GENERAL SPECIFICATIONS:
 (6B) OPERATING TEMPERATURE RANGE: -40°C to +125°C including temp rise.

Wire insulation & RoHS status not affected by wire color.
 Wire insulation color may vary depending on availability.

REV.	DATE	Packaging Specifications Method: Tray PKG-0239 www.we-online.com/midcom		Tolerances unless otherwise specified: Angles: ±1° Decimals: ±.005 [.13] Fractions: ±1/64 Footprint: ±.001 [.03]	DRAWING TITLE TRANSFORMER	PART NO. 750340681
6C	1/12					
6B	9/11					
6A	3/11	SEE REVISION SHEET FOR REVISION LEVEL		This drawing is dual dimensioned. Dimensions in brackets are in millimeters.	eiSos p/n: 750340681	
						SPECIFICATION SHEET 1 OF 1