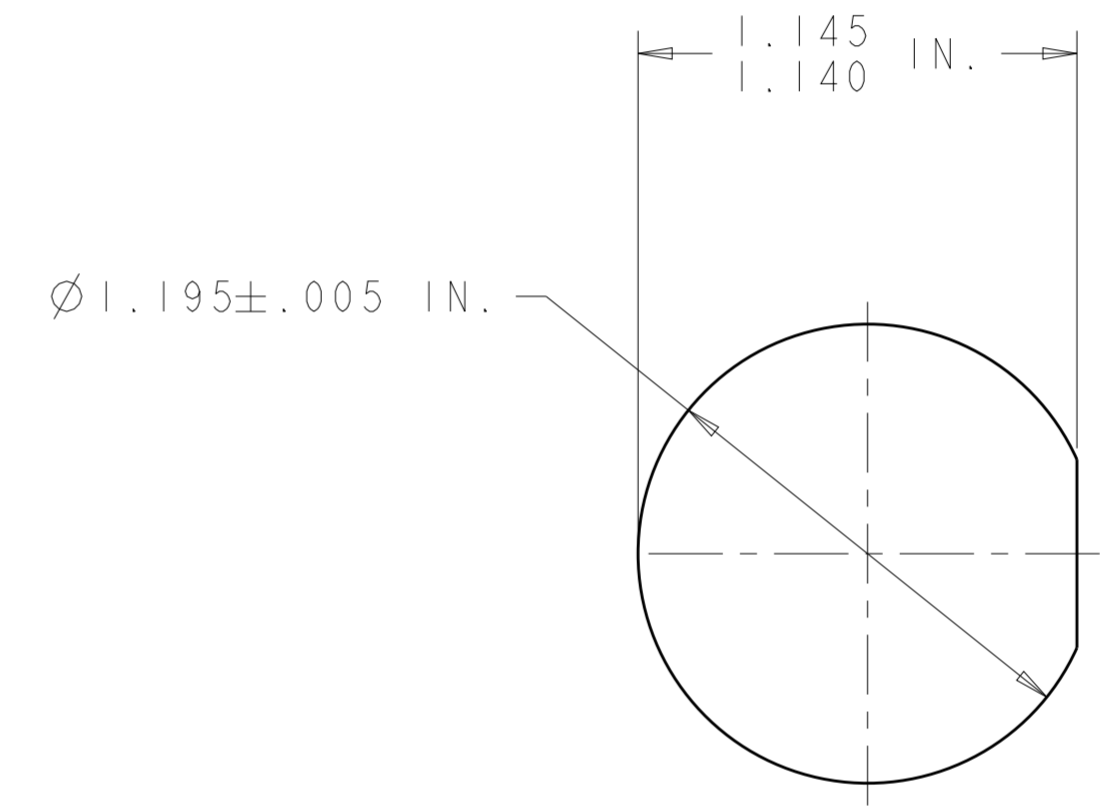
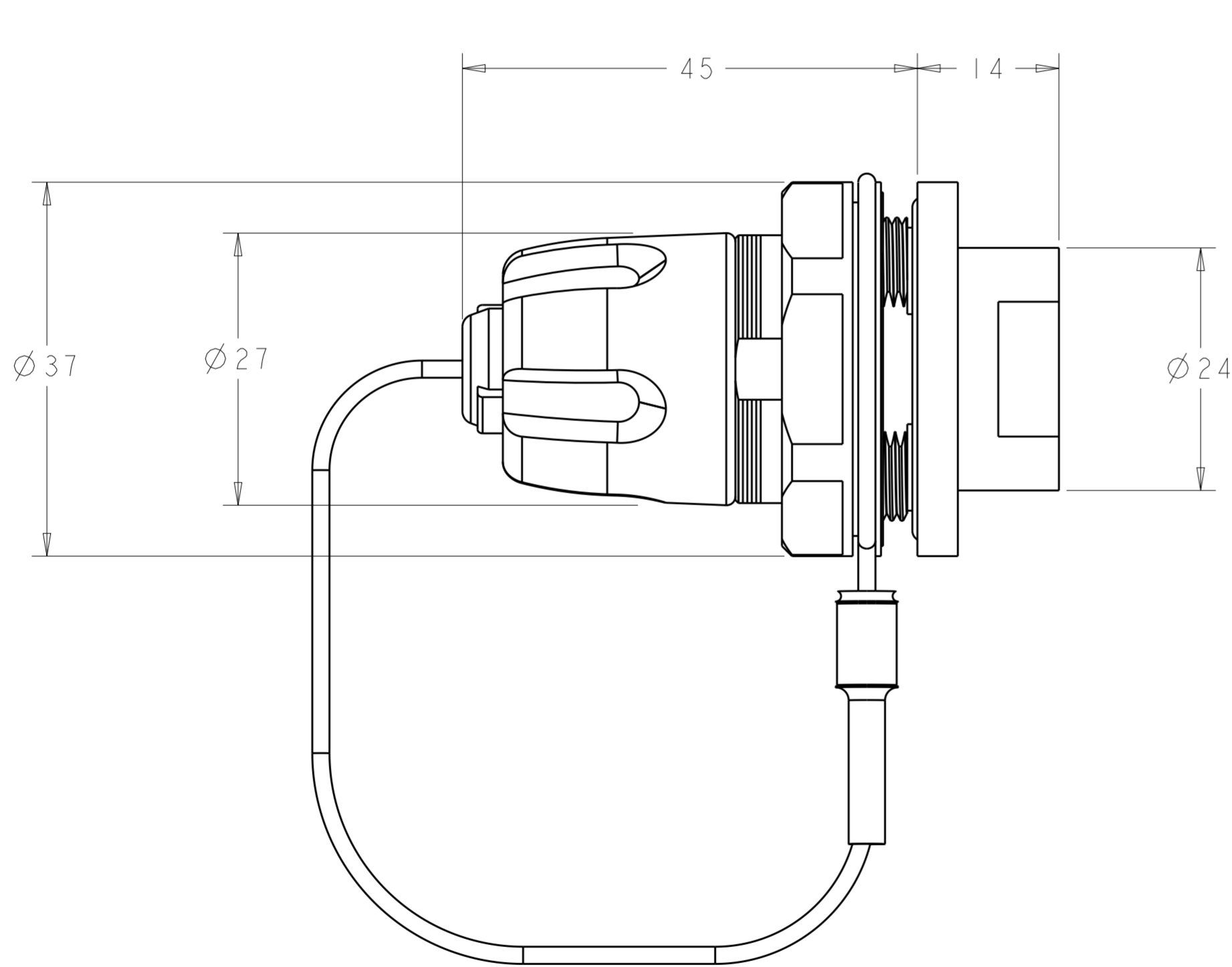


THIS DRAWING IS UNPUBLISHED. RELEASED FOR PUBLICATION 20
 © COPYRIGHT 20 BY - ALL RIGHTS RESERVED.

REVISIONS					
P	LTR	DESCRIPTION	DATE	DWN	APVD
D2		ECR-15-009282	29JUL2015	KG	DW
E		ECR-16-004825	07APR2016	KG	DW
F		ECR-16-006882	16MAY2016	KG	DW

- ASSEMBLY SHOWN FOR REFERENCE ONLY.
SHIPPED LOOSE PIECE AS SHOWN ON PAGE 2.
- ALL ASSEMBLY DIMENSIONS ARE FOR REFERENCE ONLY.
- △ PANEL SHOULD BE BETWEEN 3.2mm AND 6.4mm THICKNESS.
- THIS PRODUCT HAS NOT COMPLETED VALIDATION TESTING.
- COMPLETE THE CONNECTOR ASSEMBLY BY ADDING EACH OF THE FOLLOWING PRO BEAM JR KITS:
 A. EXPANDED BEAM INSERT ASSEMBLY KIT
 B. FERRULE KIT, ONE PER FIBER



△ RECOMMENDED TFOCA-II® PANEL CUT-OUT
(DIMENSIONS: INCHES)

SUPERSEDED BY:
1754445-3

BLACK ZINC-NICKEL	ALUMINUM	1754445-3
NONE	NICKEL ALUMINUM BRONZE	1754445-2
OLIVE DRAB ZINC	ALUMINUM	1754445-1
FINISH	HOUSING ALLOY	PART NUMBER

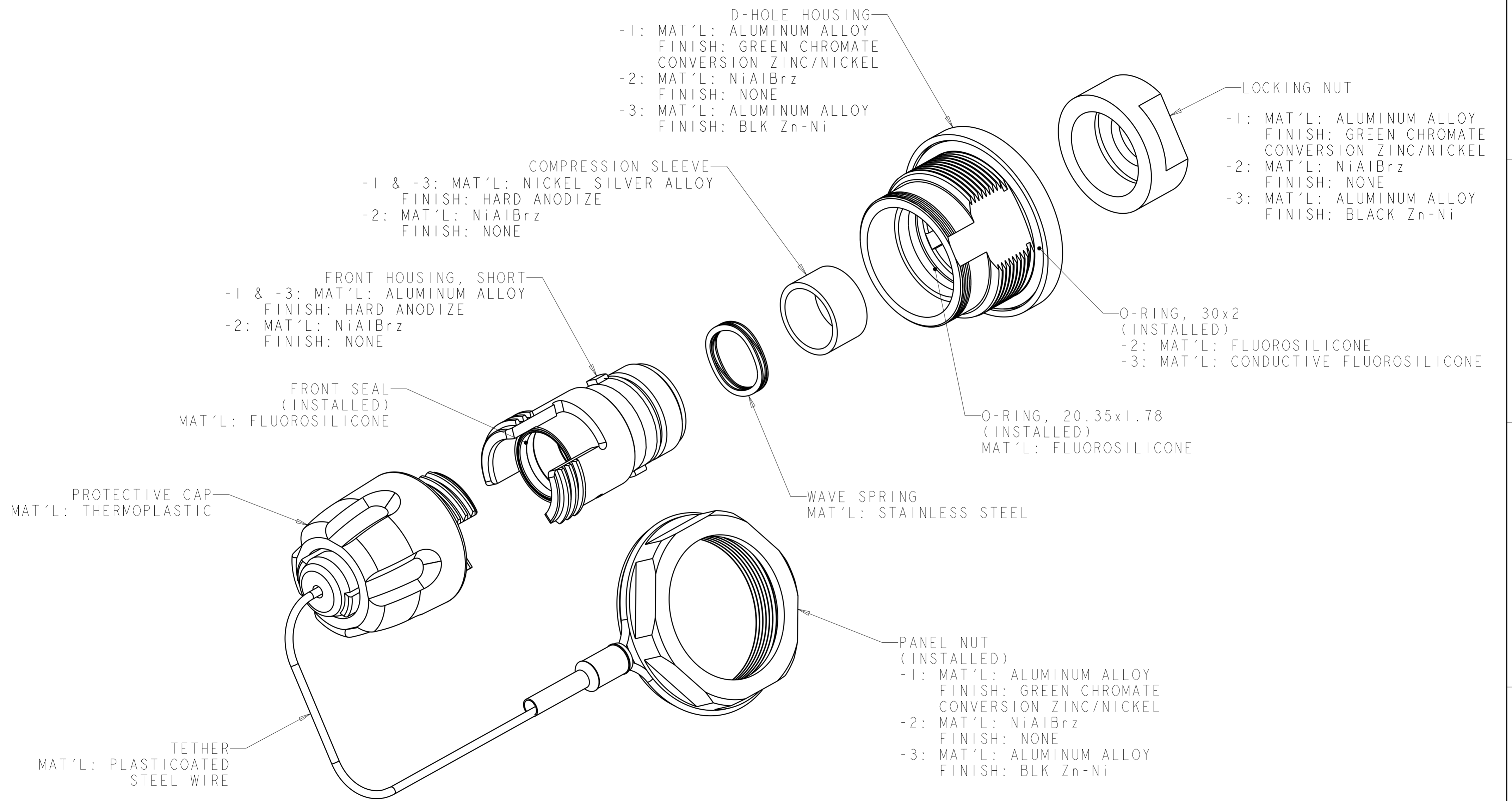
TFOCA-II® IS A REGISTERED TRADEMARK OF FIBER SYSTEMS INTERNATIONAL CORP.

THIS DRAWING IS A CONTROLLED DOCUMENT.		DWN K. GLATFELTER 25MAR2004	TE Connectivity															
DIMENSIONS: mm		CHK D. WERTMAN 07MAY2004																
TOLERANCES UNLESS OTHERWISE SPECIFIED:		APVD D. WERTMAN 10MAY2004	NAME CONNECTOR SHELL KIT, D-HOLE BLKHD LP TFOCA-II® REPL., PRO BEAM JR.															
<table border="1"> <tr><td>0 PLC</td><td>±</td></tr> <tr><td>1 PLC</td><td>±</td></tr> <tr><td>2 PLC</td><td>±</td></tr> <tr><td>3 PLC</td><td>±</td></tr> <tr><td>4 PLC</td><td>±</td></tr> <tr><td>ANGLES</td><td>±</td></tr> <tr><td>FINISH</td><td></td></tr> </table>		0 PLC	±	1 PLC	±	2 PLC	±	3 PLC	±	4 PLC	±	ANGLES	±	FINISH		PRODUCT SPEC	SIZE CAGE CODE DRAWING NO RESTRICTED TO	
0 PLC	±																	
1 PLC	±																	
2 PLC	±																	
3 PLC	±																	
4 PLC	±																	
ANGLES	±																	
FINISH																		
MATERIAL AS LISTED	AS LISTED	APPLICATION SPEC	A200779C-1754445															
		WEIGHT	SCALE 2:1 SHEET 1 OF 2 REV F															
		CUSTOMER DRAWING																

THIS DRAWING IS UNPUBLISHED. RELEASED FOR PUBLICATION 20
 © COPYRIGHT 20 BY - ALL RIGHTS RESERVED.

REVISIONS				
P	LTR	DESCRIPTION	DATE	APVD
-	-	SEE SHEET 1	-	-

1. SHIPPED LOOSE PIECE AS SHOWN.



THIS DRAWING IS A CONTROLLED DOCUMENT.		DWN K. GLATFELTER 25MAR2004	TE Connectivity															
DIMENSIONS: mm		CHK D. WERTMAN 07MAY2004																
TOLERANCES UNLESS OTHERWISE SPECIFIED:		APVD D. WERTMAN 10MAY2004	NAME CONNECTOR SHELL KIT, D-HOLE BLKHD LP TFOCA-11 REPL., PRO BEAM JR.															
<table border="1"> <tr><td>0 PLC</td><td>±</td></tr> <tr><td>1 PLC</td><td>±</td></tr> <tr><td>2 PLC</td><td>±</td></tr> <tr><td>3 PLC</td><td>±</td></tr> <tr><td>4 PLC</td><td>±</td></tr> <tr><td>ANGLES</td><td>±</td></tr> <tr><td>FINISH</td><td>±</td></tr> </table>		0 PLC	±	1 PLC	±	2 PLC	±	3 PLC	±	4 PLC	±	ANGLES	±	FINISH	±	PRODUCT SPEC -	SIZE A200779	
0 PLC	±																	
1 PLC	±																	
2 PLC	±																	
3 PLC	±																	
4 PLC	±																	
ANGLES	±																	
FINISH	±																	
MATERIAL AS LISTED		APPLICATION SPEC -	CAGE CODE C-1754445															
AS LISTED		WEIGHT -	DRAWING NO -															
-		CUSTOMER DRAWING		RESTRICTED TO -														
-		SCALE 2:1		SHEET 2 OF 2														
-		REV F																