

LOC	DIST	REVISIONS				
P	LTR	DESCRIPTION	DATE	DWN	APVD	
	A	REVISED PER ECR-14-007823	02JUN2014	RS	EC	
	B	ECO-15-015144: ADD UL.	03NOV2015	EC	EC	

SAFETY ORGANIZATIONS

THIS FILTER HAS BEEN FORMALLY RECOGNIZED, CERTIFIED OR APPROVED BY THE LISTED AGENCY. THEREFORE, ALL TEST/REQUIREMENTS SPECIFIED IN THE LATEST REVISION OF THE FOLLOWING AGENCY STANDARDS HAVE BEEN MET:

UL

OPERATING SPECIFICATIONS

LINE CURRENT/VOLTAGE: 600 A, 690 VAC
 LINE FREQUENCY: 50-60 Hz
 NOMINAL LEAKAGE CURRENT: 10 mA
 MAXIMUM LEAKAGE CURRENT: 330mA @ 400V, 50HZ
 OPERATING AMBIENT TEMPERATURE RANGE @ RATED CURRENT, I : -10°C TO +50°C

IN AN AMBIENT, T, HIGHER THAN 50°C, THE MAXIMUM OPERATING CURRENT, I, IS AS FOLLOWS:

$$I_o = I_R \sqrt{\frac{100 - T_o}{50}}$$

RELIABILITY SPECIFICATIONS

STORAGE TEMPERATURE: -40°C TO +85°C
 HUMIDITY: 21 DAYS @ 40°C AND 95% RH

TEST SPECIFICATIONS

INDUCTANCE, NOMINAL: 88.7 µH

CAPACITANCE @ 1 kHz, 0.25 VAC MAX., 25°C ±1°C:
 LINE TO GROUND, NOMINAL: 2.62 µF
 LINE TO LINE, NOMINAL: 11.9 µF

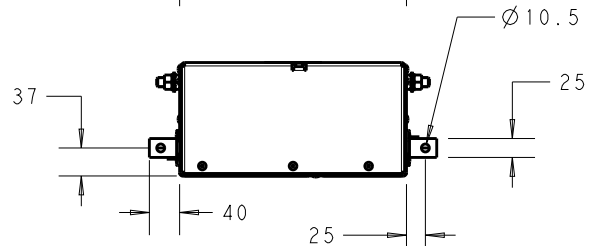
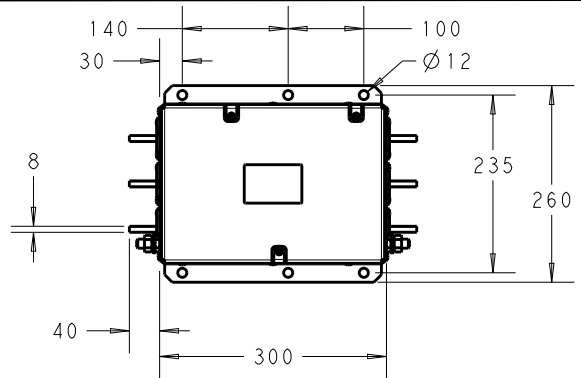
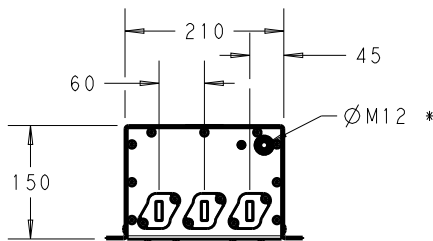
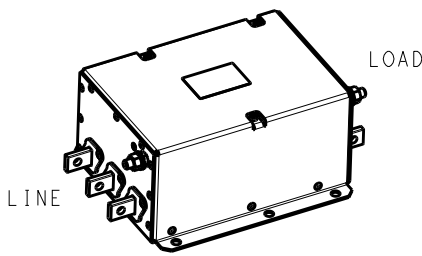
DISCHARGE RESISTOR L/G AND L/L I.R. 666kΩ / 666kΩ
 IR (NO DISCHARGE RESISTOR) 20°C, 50% RH AND 100VDC, MIN: 6000MΩ

RECOMMENDED RECEIVING INSPECTION HIPOT

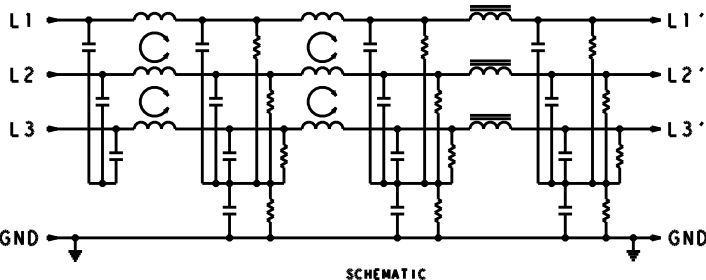
LINE TO GROUND FOR 1 MINUTE: 2640 VDC
 LINE TO LINE FOR 1 MINUTE: 2520 VDC

FILTER APPROVAL:

THE BEST WAY TO SELECT AND QUALIFY A FILTER IS FOR YOUR ENGINEERING TO TEST THE UNIT IN YOUR EQUIPMENT.



* DO NOT LOOSEN INNER GROUND NUTS. TORQUE OUTER GROUND NUTS TO: 25-30 NM [220-260 IN-LB]



TYPICAL INSERTION LOSS
 COMMON MODE 50/50 Ω; DIFFERENTIAL MODE 100/100 Ω

MHz	0.01	0.05	0.15	0.5	1.0	3.0	5.0	10	30
CM	11	25	68	88	72	70	60	43	24
DM	31	43	71	73	62	50	45	38	27

20

RELEASED FOR PUBLICATION

ALL RIGHTS RESERVED.

THIS DRAWING IS UNPUBLISHED.

BY -

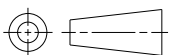
© COPYRIGHT 20

DIMENSIONS:

mm

TOLERANCES UNLESS OTHERWISE SPECIFIED:

- 0 PLC ±2
- 1 PLC ±1
- 2 PLC ±0.5
- 3 PLC ±0.2
- 4 PLC ±0.0001
- ANGLES ±



DWN 13DEC2013

RS -

CHK 13DEC2013

EC -

APVD 13DEC2013

EC -

PRODUCT SPEC -

APPLICATION SPEC -

WEIGHT -

Customer Drawing

MATERIAL

FINISH



TE Connectivity

NAME

600APH12P
 3-PHASE DELTA FILTER

SIZE

CAGE CODE

DRAWING NO

RESTRICTED TO

A4

00779

C-8-1609148-9

-

SCALE 1:1

SHEET 1 OF 1

REV B