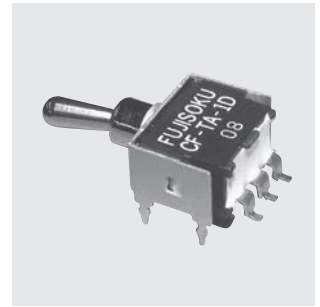


# CF-TA

## Reflow Toggle Switch



RoHS Compliant

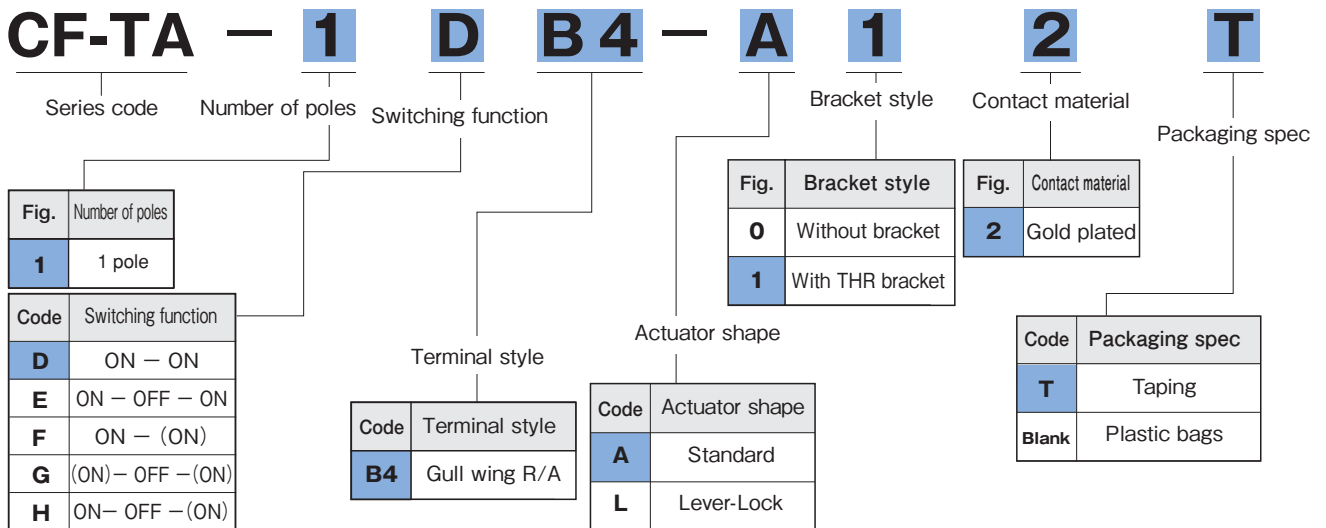
### Features

1. Industry's first toggle switch compatible with through-hole reflow soldering.
2. Compatible with pick and place machines.
3. Heat resistant resin for reflow and dip soldering.
4. Gold-plated contacts.

### Specifications

Rating	Max.	AC/DC 48V 50mA (Resistive load)
	Min.	AC/DC 20mV 1μA
Initial contact resistance	100mΩ max. (1.5mA 200μ VAC)	
Dielectric strength	500VAC 1 minute	
Insulation resistance	500mΩ min. (500VDC)	
Electrical life	10,000 cycles at max. rating	
Operating temperature range	-40°C~+85°C	
Storage temperature range	-40°C~+85°C	

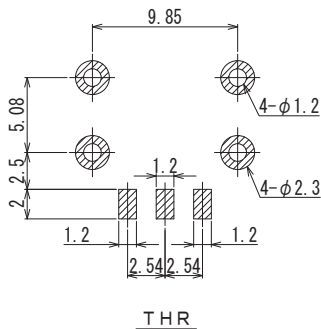
### Part Numbering



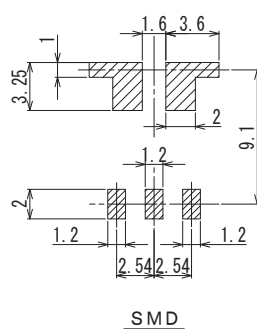
### PC Hole Layouts

#### Standard

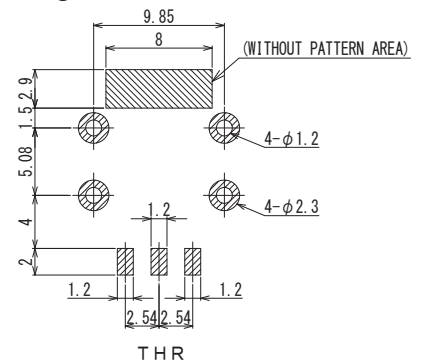
##### With THR bracket



##### Without bracket



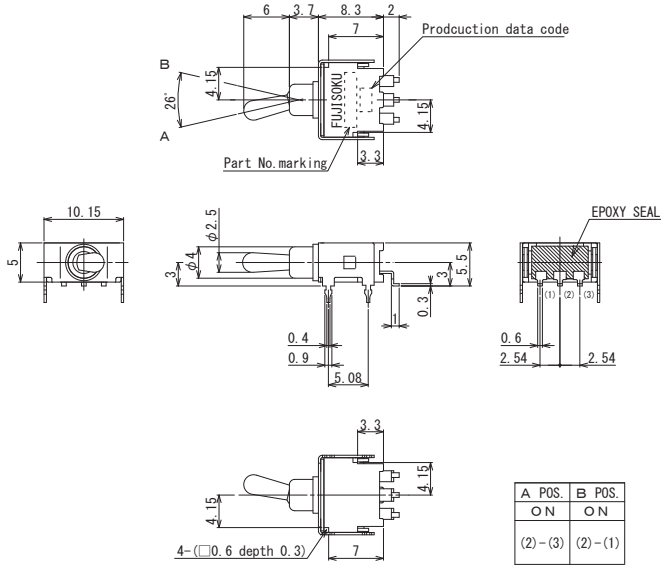
#### Locking Lever



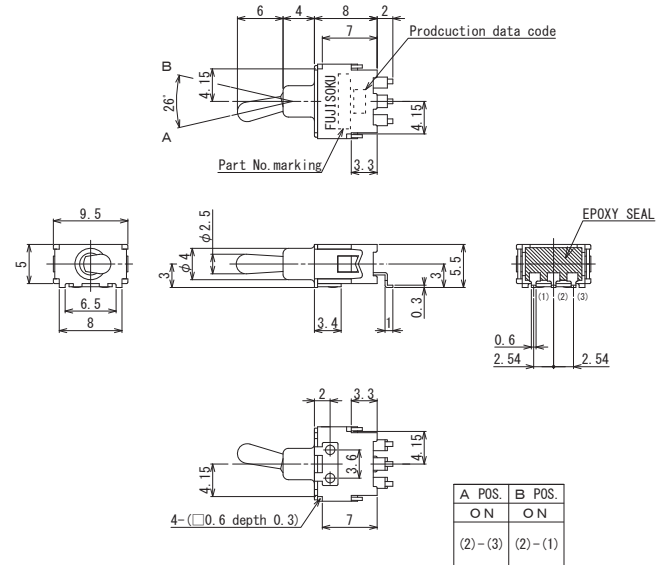
## Outline dimensions

### Standard

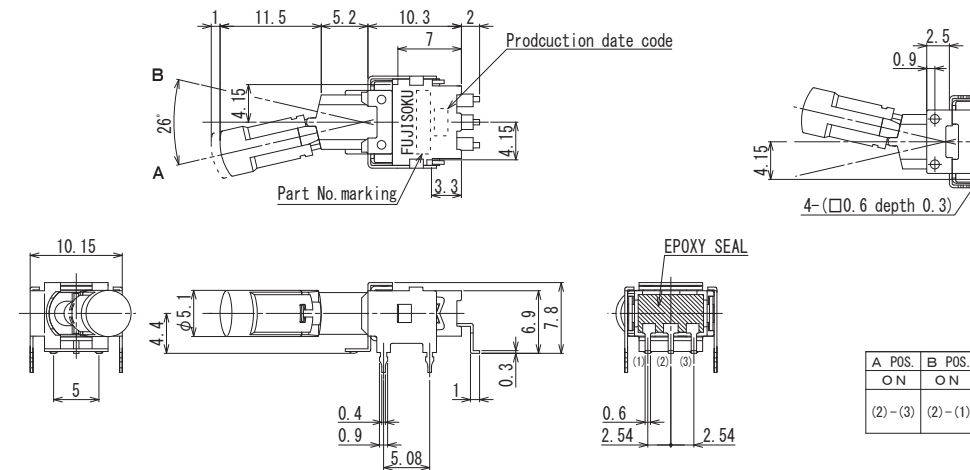
#### With THR bracket



#### Without bracket



### Locking Lever



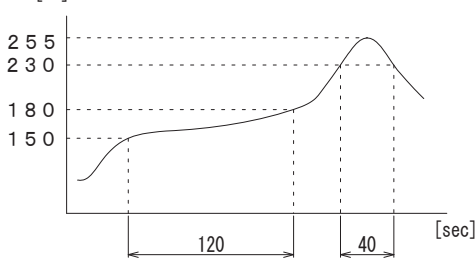
## List of part numbers

Number of poles	Switching function	Actuator shape	Form of Packaging	Terminal style		Pieces in package
				SMD	THR	
1 pole	D	Standard	Taping	CF-TA-1DB4-A02T	CF-TA-1DB4-A12T	500pcs./reel
	E			CF-TA-1EB4-A02T	CF-TA-1EB4-A12T	500pcs./reel
	F			★CF-TA-1FB4-A02T	★CF-TA-1FB4-A12T	500pcs./reel
	G			★CF-TA-1GB4-A02T	★CF-TA-1GB4-A12T	500pcs./reel
	H			★CF-TA-1HB4-A02T	★CF-TA-1HB4-A12T	500pcs./reel
	D			CF-TA-1DB4-A02	CF-TA-1DB4-A12	20pcs./pack
	E			CF-TA-1EB4-A02	CF-TA-1EB4-A12	20pcs./pack
	F			★CF-TA-1FB4-A02	★CF-TA-1FB4-A12	20pcs./pack
	G	★CF-TA-1GB4-A02	★CF-TA-1GB4-A12	20pcs./pack		
	H	★CF-TA-1HB4-A02	★CF-TA-1HB4-A12	20pcs./pack		
	D	Lever-lock	Taping	—	CF-TA-1DB4-L12T	250pcs./reel
				—	CF-TA-1DB4-L12	20pcs./pack

## Soldering

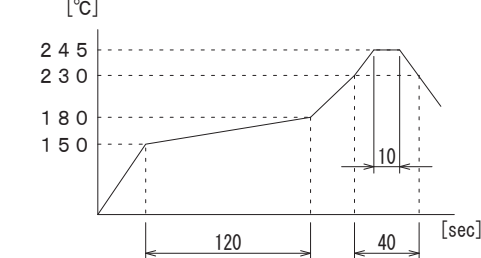
### (1) Reflow soldering

- Standard



### Locking Lever

- Locking Lever



### (2) Manual soldering

- Device: Solder iron
- 380°C Max. 3sec Max.

## Packaging Specifications

### (1) Taping

Standard type: 500 pcs/reel.

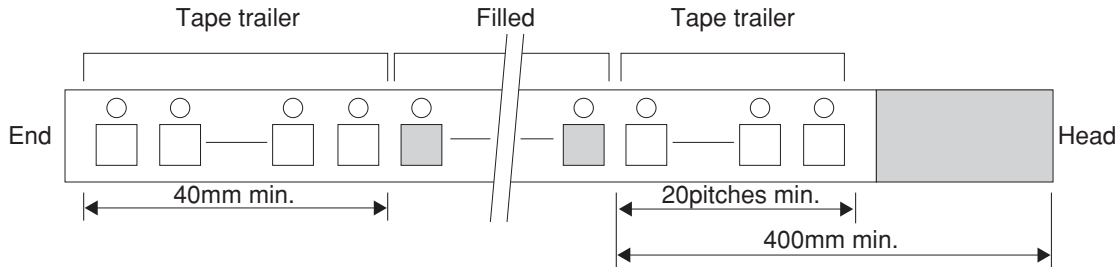
Locking lever type: 250 pcs/reel.

One reel is packed into one carton (1 reel / carton).

The maximum number of consecutive missing pieces shall be 2.

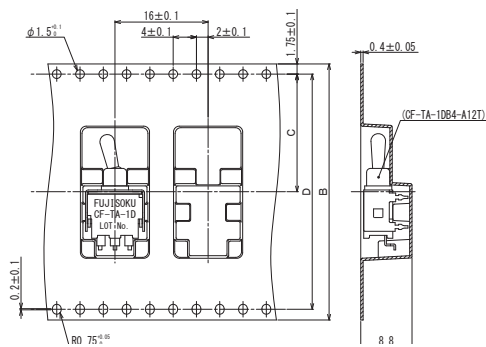
Embossed tape dimensions are shown in the diagram below.

Fig.1 Embossed tape dimensions

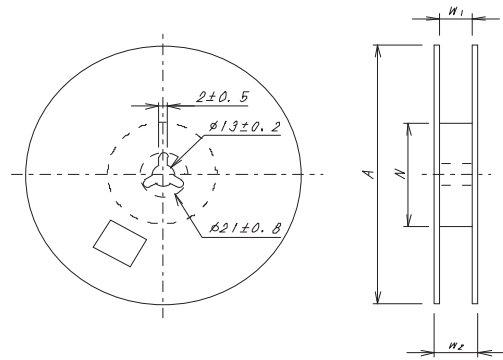


### <Tape dimensions>

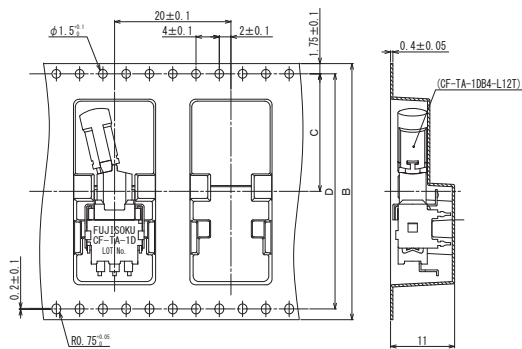
#### •Standard



### <Reel dimensions>



#### •Locking Lever



Unit (mm)

B	C	D
44	20.2±0.1	40.4±0.1

Unit (mm)

A	W <sub>1</sub>	W <sub>2</sub>	N
φ 330±2	45.4±1	49.4±1	φ 80±1

### (2) Bulk

20 pcs / plastic bag