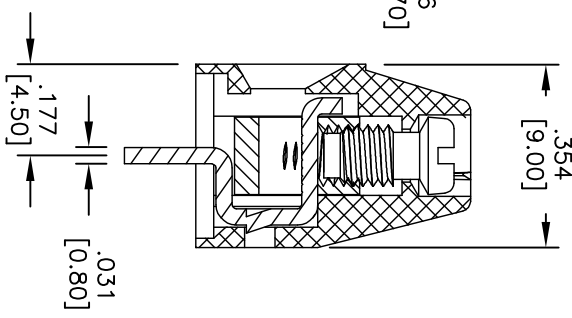
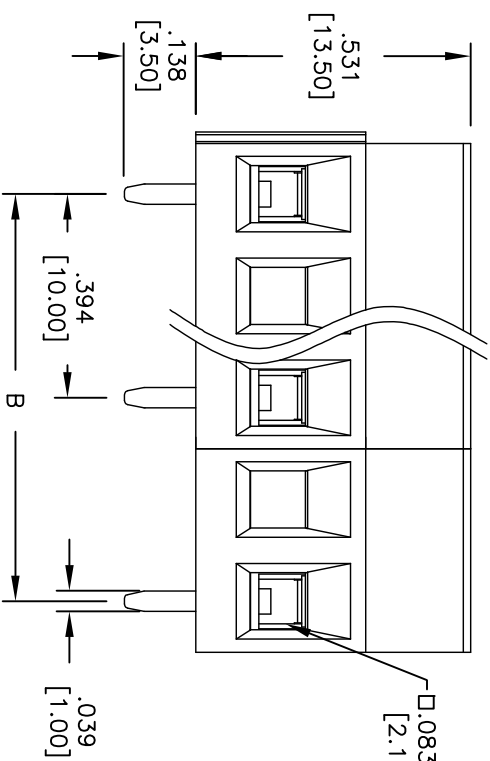
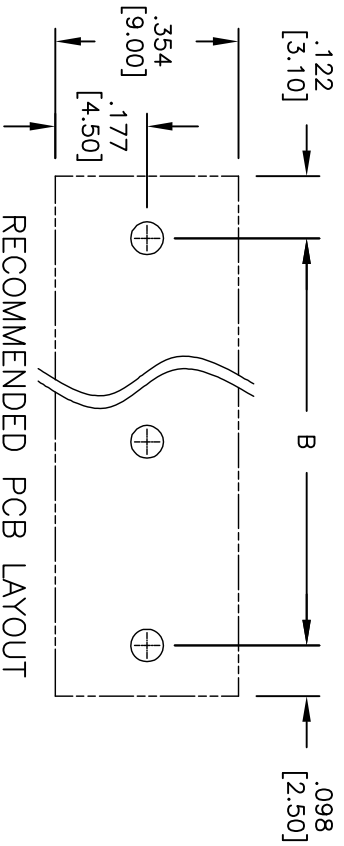
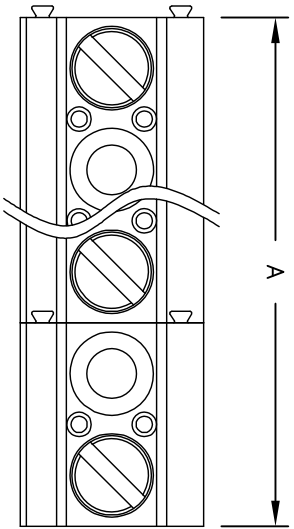


Rev	AWO #	Description	Date	Appr
-		RELEASED	2/24/11	

APPROVED: \_\_\_\_\_ TITLE: \_\_\_\_\_  
 DATE: \_\_\_\_\_



A = .394 [10.00] X No. of Spaces + .197 [5.00]  
 B = .394 [10.00] x No. of Spaces

**SPECIFICATIONS:**

- Material: Insulator: Thermoplastic, rated UL 94V-0
- Insulator color: Green
- Clamp: Brass, Nickel plated.
- Screw: M3.0, Steel, Zn plated.
- Contact: Brass, Tin plated.
- Electrical: Operation voltage: 300 VAC
- Current rating: 16 Amps
- Mechanical: Wire strip length: 6-7mm
- Torque (Lb-in): 3.5
- Wire Range: 12-28 Awg
- Withstanding Voltage: 1.6
- Environmental: Operating temperature: -40°C to +115°C
- Lead free, RoHS compliant.
- Recommended soldering temp: 235°C for 5 sec.



UNLESS OTHERWISE SPECIFIED  
 ALL DIMENSIONS ARE MM [INCHES]  
 TOLERANCES: EXCEPT AS NOTED  
 INCHES  
 X .10 ± .10 ØXX ± .10  
 XX ± .020 ØXXX ± .015  
 .XXX ± .015 ØXXXX ± .010

**ADAM TECH**  
 909 Rahway Avenue, Union, NJ 07083  
 Phone: 908-687-5000 Fax: 908-687-5710

TITLE: TERMINAL BLOCK, PCB, VERTICAL  
 .394 [10.00] PITCH

APPROVALS	DATE
DRAWN AY	2/24/11
CHECKED VW	2/24/11
APPROVED	

SIZE	PART NO.	REV.
X	EB105-XX-H	-

REF: S000071 SCALE: NTS SHEET 1 OF 1