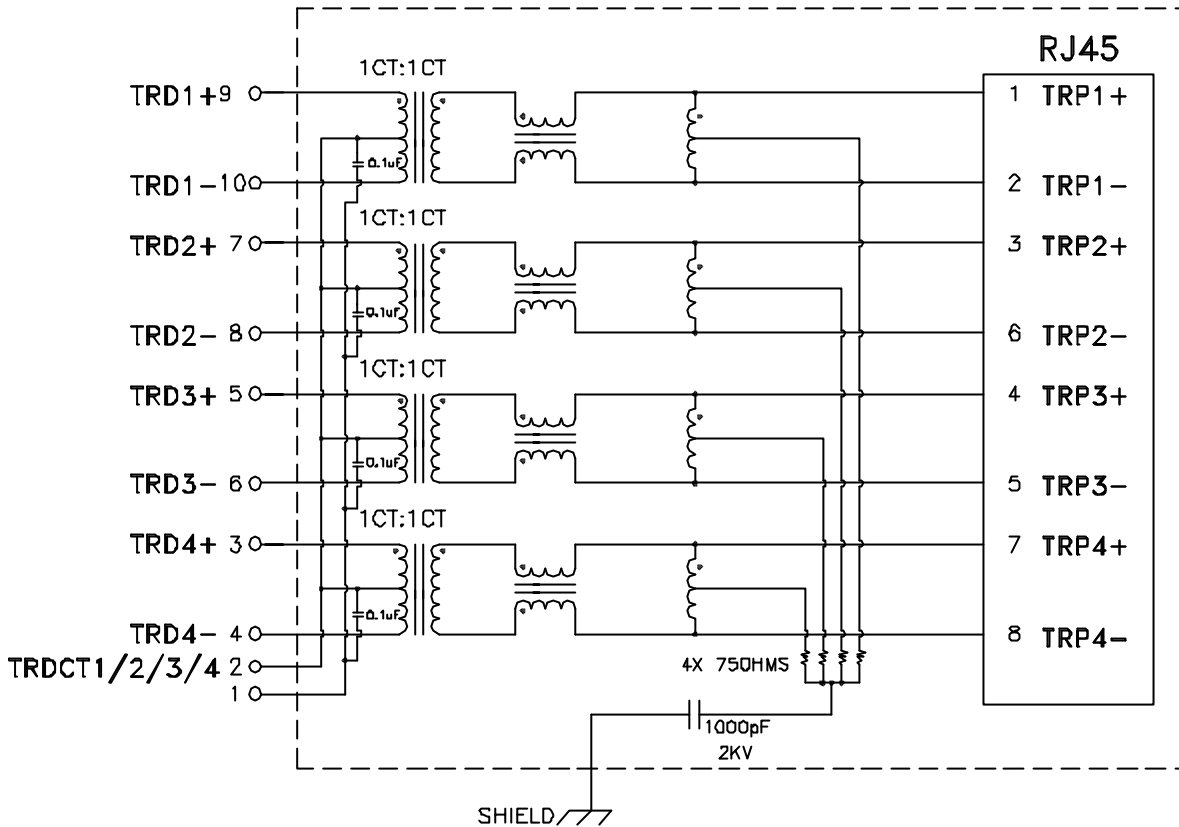


Schematic:



Electrical Specifications: @25°C

Isolation Voltage: 1500 Vrms @60Hz 1MIN

Common Mode Rejection: @1-50MHz -30dB Typ

@50-130MHz -20dB Typ

Crosstalk: @1-10MHz -40dB Typ

@30-60MHz -35dB Typ

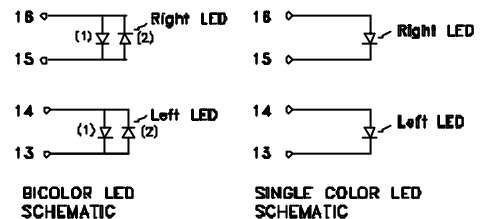
@60-100MHz -30dB Typ

Insertion Loss (1-100MHz): -1.0dB Typ

Return Loss: @1-10MHz -20dB Typ

@30MHz -16dB Typ

@60-80MHz -12dB Typ



Complete the Combo P/N as follows:

Replace 'x' & 'u' in the part number with one of the LED color letters:

Y=Yellow

G=Green

A=Amber

R=Red

C=Green(1)/Amber(2) Bicolor

D=Amber(1)/Green(2) Bicolor

M=Green(1)/Yellow(2) Bicolor

N=Yellow(1)/Green(2) Bicolor

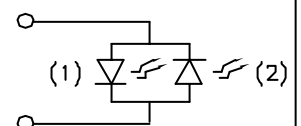
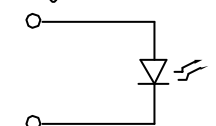
P=Red(1)/Green(2) Bicolor

Q=Green(1)/Red(2) Bicolor

'x' = Left LED Color
'u' = Right LED Color

Single Color LED:

Bi-Color LED:



Notes:

- Solderability: Leads shall meet MIL-STD-202C, Method 208H for solderability.
- Flammability: UL94V-0
- ASTM oxygen Index: > 28%
- Insulation System: Class F 155°C, UL file E151556
- Operating Temperature Range: All listed parameters are to be within tolerance from -40°C to +85°C
- Storage Temperature Range: -55°C to +125°C
- Aqueous wash compatible
- Electrical and mechanical specifications 100% tested
- RoHS Compliant Component

DOC. REV: A/1

PROPRIETARY:

Document is the property of XFMRs Group & is not allowed to be duplicated without authorization.

XFMRs Inc
www.XFMRs.com

UNLESS OTHERWISE SPECIFIED
TOLERANCES:
.xxx ±0.010
Dimensions in Inch
SHEET 1 OF 2

Title:

SINGLE PORT COMBO w/LEDs

P/N: XFGIG12L-CTxu1-4L

REV. A

DWN.

Xian yi

Aug-29-08

CHK.

YK Liao

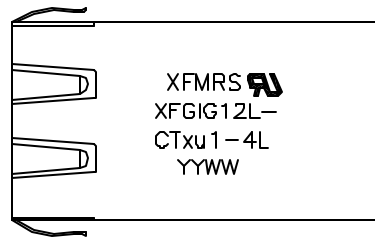
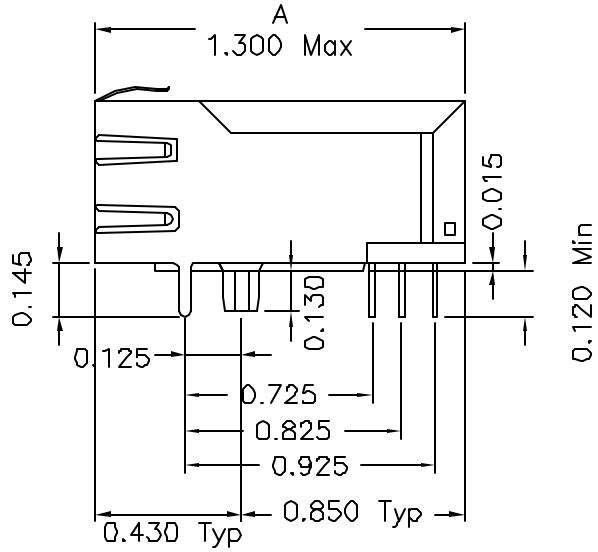
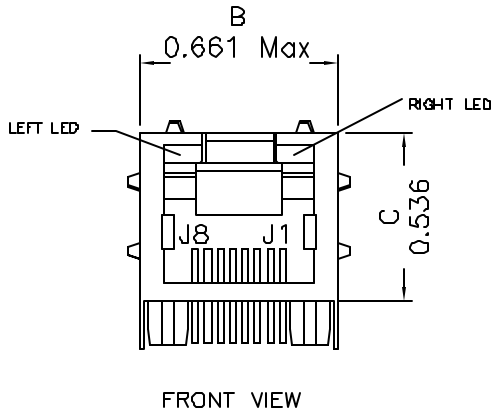
Aug-29-08

APP.

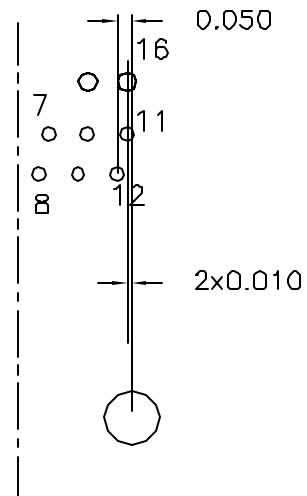
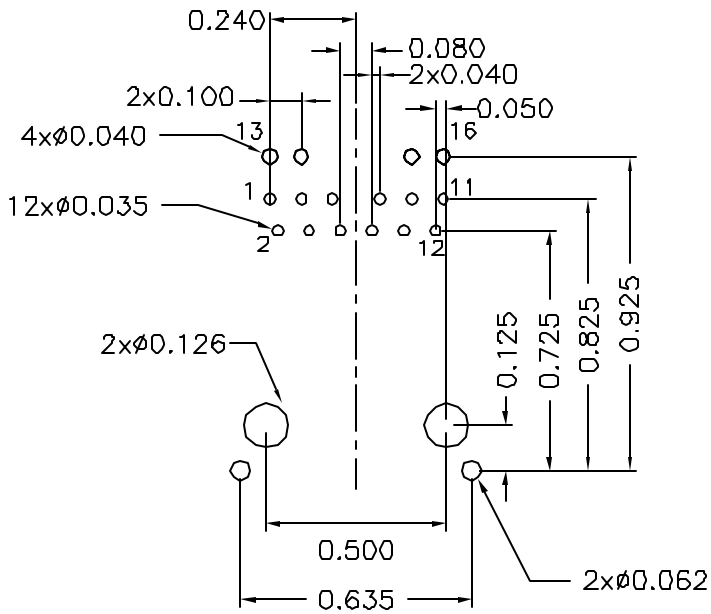
BW

Aug-29-08

Mechanical Dimensions:



Mounting Pattern:



DOC REV: A/1

XFMRS Inc www.XFMRS.com	Title: Mechanical Dimensions For TAB UP RJ45 COMBO		
	P/N: XFGIG12L-CTxu1-4L	REV. A	
UNLESS OTHERWISE SPECIFIED TOLERANCES: .xxx ±0.010 Dimensions in Inch	DWN.	Xiany	Aug-29-08
	CHK.	YK Liao	Aug-29-08
	APP.	BW	Aug-29-08
SHEET 2 OF 2			

PROPRIETARY:

Document is the property of XFMRS Group & is not allowed to be duplicated without authorization.