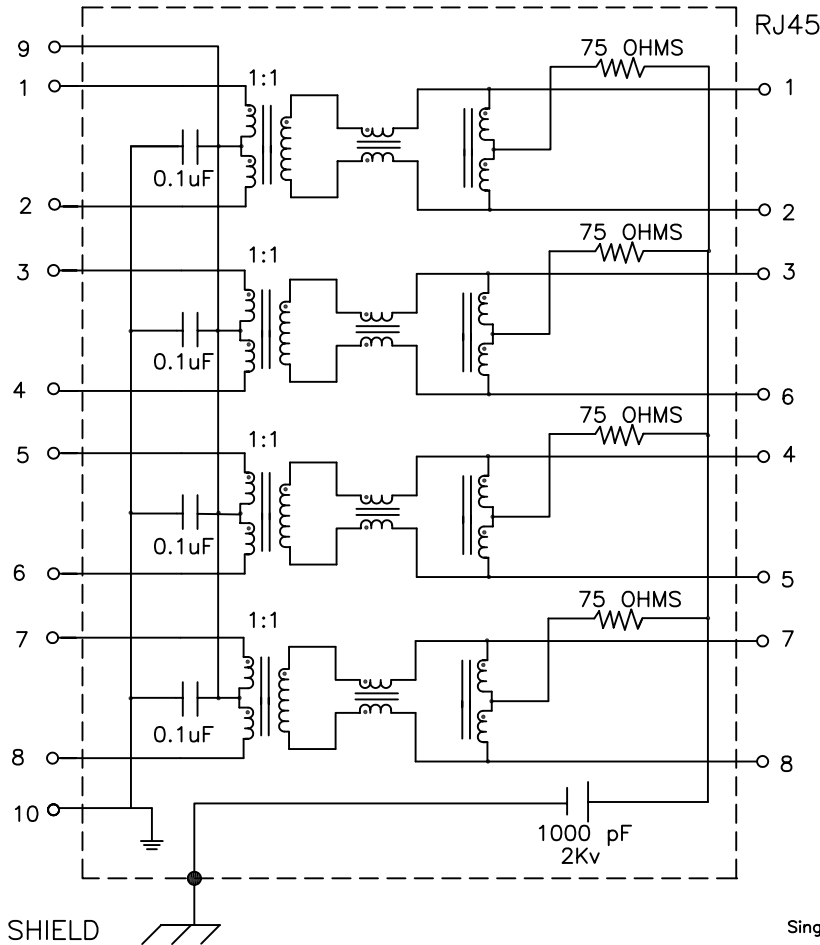


Schematic:



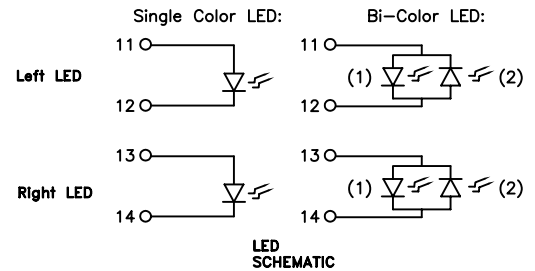
Electrical Specifications: @25°C

- Isolation Voltage: 1500 Vrms, 60sec (Input to Output)
- Common Mode Rejection: @1-100MHz -30dB Min
- Crosstalk: @1-100MHz -25dB Min
- OCL: 350uH MIN @100KHz 100mV 8mADC
- Q: 18 MIN @100KHz 100mV
- Insertion Loss (1-100MHz): -1.0dB Max
- Return Loss: @1-30MHz -18dB Min
 - @30-60MHz -16dB Min
 - @60-80MHz -12dB Min
 - @80-100MHz -10dB Min

Notes:

1. Solderability: Leads shall meet MIL-STD-202G, Method 208H for solderability.
2. Flammability: UL94V-0
3. ASTM oxygen index: > 28%
4. UL Recognized Component: File Number E165866
5. Operating Temperature Range: All listed parameters are to be within tolerance from -40°C to +85°C
6. Storage Temperature Range: -55°C to +125°C
7. Aqueous wash compatible
8. Electrical and mechanical specifications 100% tested
9. RoHS Compliant Component

DOC. REV A/1



Complete the Combo P/N as follows:

Replace 'x' & 'u' in the part number with one of the LED color letters:

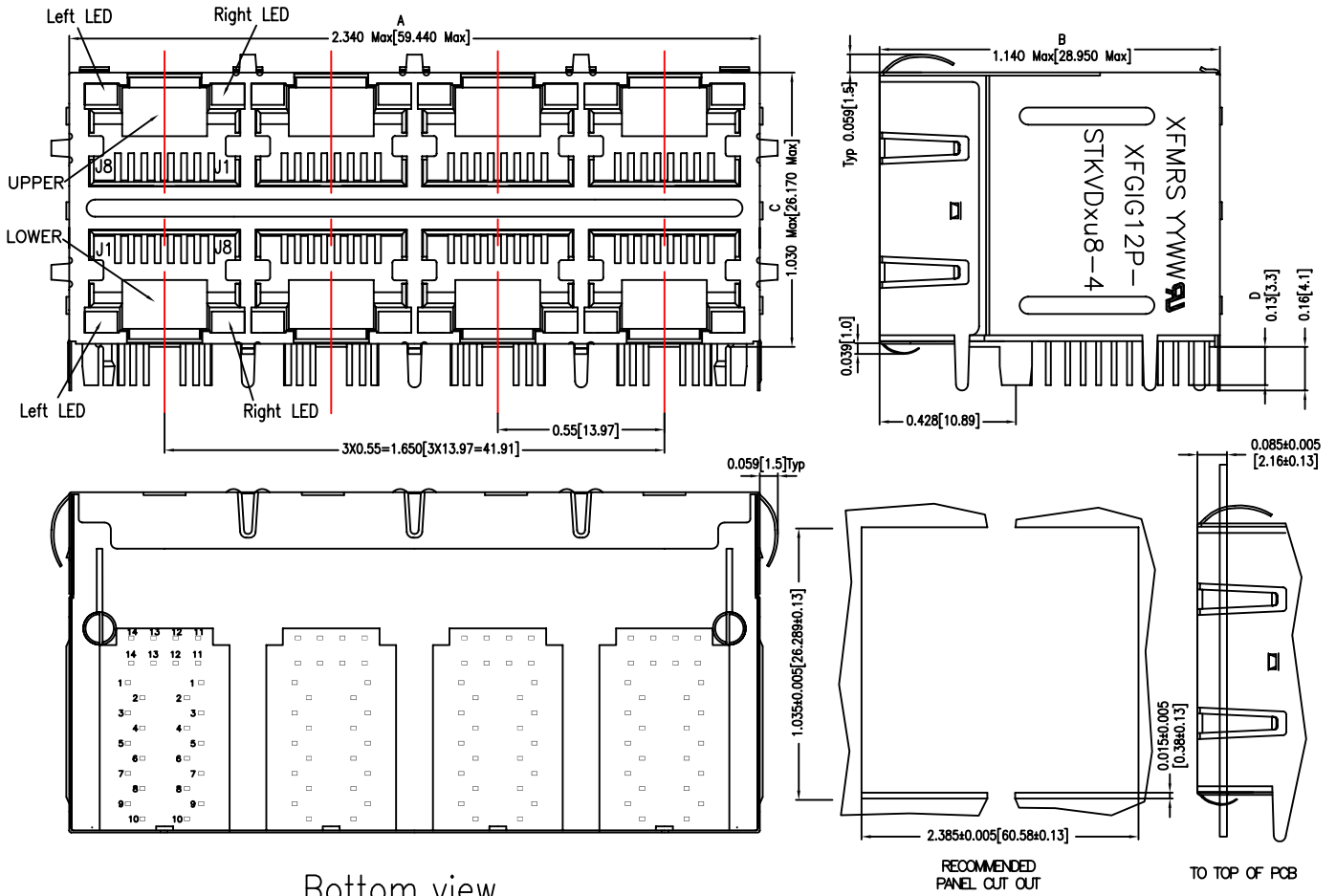
Y=Yellow	'x' = Left LED Color
G=Green	'u' = Right LED Color
A=Amber	
R=Red	
C=Green(1)/Amber(2) Bicolor	
D=Amber(1)/Green(2) Bicolor	
M=Green(1)/Yellow(2) Bicolor	
N=Yellow(1)/Green(2) Bicolor	
P=Red(1)/Green(2) Bicolor	
Q=Green(1)/Red(2) Bicolor	
E=Red(1)/Yellow(2) Bicolor	
F=Yellow(1)/Red(2) Bicolor	
H=Amber(1)/Yellow(2) Bicolor	
J=Green(1)/Green(2) Bicolor	

XFMRs Inc. www.XFMRs.com	Title: 2X4 Gigabit Stacked Combo with dual Rows LED			
	UNLESS OTHERWISE SPECIFIED TOLERANCES: .xxx ±0.010	P/N: XFGIG12P-STKVDxu8-4	REV. A	
Dimensions in Inch	DWN.	Feng	Jun-07-11	
	CHK.	YK Liao	Jun-07-11	
SHEET 1 OF 2	APP.	BW	Jun-07-11	

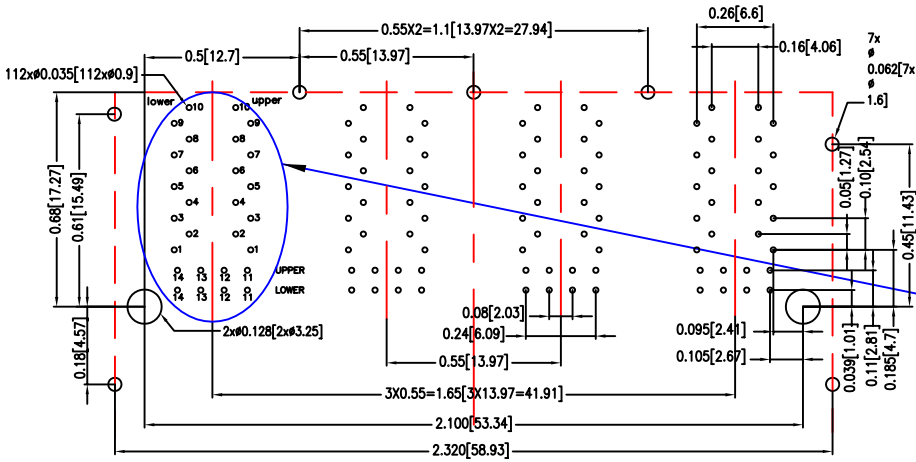
PROPRIETARY:

Document is the property of XFMRs Group & is not allowed to be duplicated without authorization.

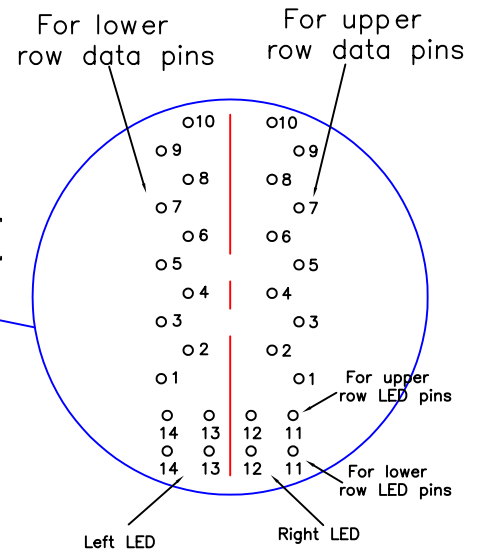
Mechanical Dimensions:



Bottom view



P.C.B RECOMMENDED HOLE LAYOUT SEEN FROM COMPONENT SIDE



Pin-out Assignment

DOC. REV: A/1

XFMRs Inc.
www.XFMRs.com

Title: Mechanical Dimensions For 2x4 Stacked COMBO with Vertical Dual lines Pins

UNLESS OTHERWISE SPECIFIED TOLERANCES:

P/N: XFGIG12P-STKVDxu8-4 REV. A

.xxx $\pm 0.010 [\pm 0.25]$
Dimensions in Inch[mm]

DWN. Feng Jun-07-11

CHK. YK Liao Jun-07-11

SHEET 2 OF 2

APP. BW Jun-07-11

PROPRIETARY:

Document is the property of XFMRs Group & is not allowed to be duplicated without authorization.