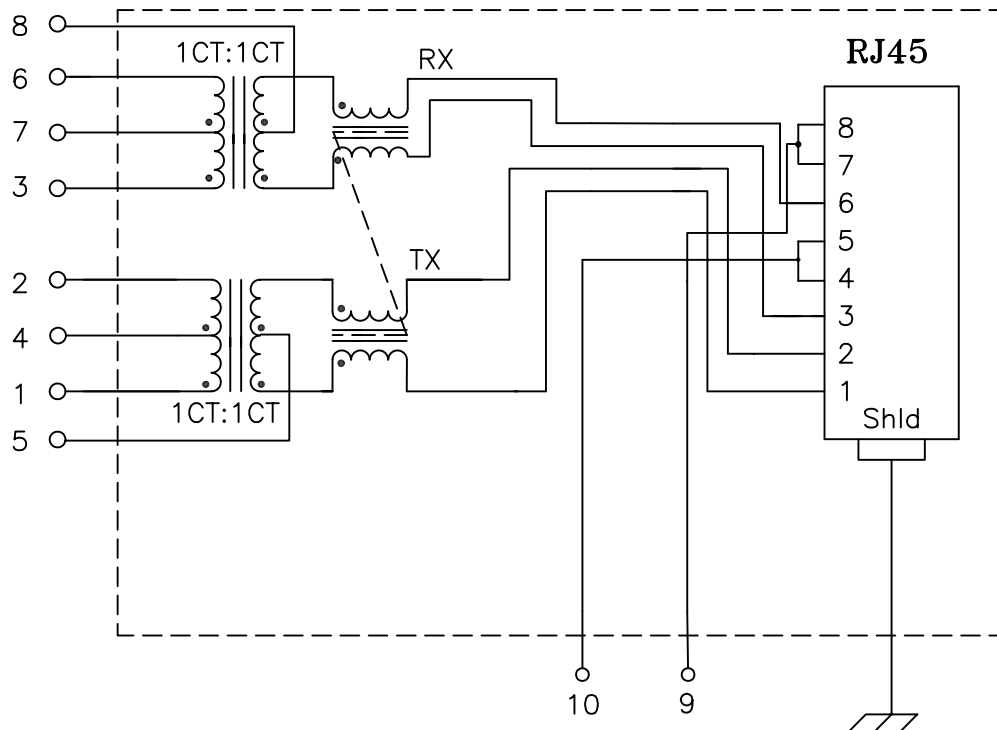


## Schematic:



## Electrical Specifications: @25°C

Isolation Voltage: 1500 Vrms (Input to Output)

Isolation Voltage: 500 Vrms (P1+2+4 to P3+6+7)

Isolation Voltage: 500 Vrms (J1+2, J3+6, J4+5 & J7+8, all combinations)

Isolation Voltage: 500 Vrms (P9 to P10)

Turns Ratio: TX 1CT:1CT  $\pm 3\%$  RX 1CT:1CT  $\pm 3\%$

Insertion Loss: 1.2dB Max @1–100 MHz

Return Loss: 1–30MHz 40MHz 50MHz 60–80MHz  
16dB 14dB 13dB 12dB (Min)

Differential to Common Mode Rejection:

30MHz 60MHz 100MHz  
50dB 43dB 35dB (Min)

Cross Talk: 30MHz 60MHz 100MHz  
43dB 37dB 33dB (Min)

DC Current: 350mA

### Notes:

1. Solderability: Leads shall meet MIL-STD-202G, Method 208H for solderability.
2. Flammability: UL94V-0
3. ASTM oxygen index: > 28%
4. Insulation System: Class F 155°C. UL file E151556
5. Operating Temperature Range: All listed parameters are to be within tolerance from -40°C to +85°C
6. Storage Temperature Range: -55°C to +125°C
7. Aqueous wash compatible
8. Electrical and mechanical specifications 100% tested
9. RoHS Compliant Component

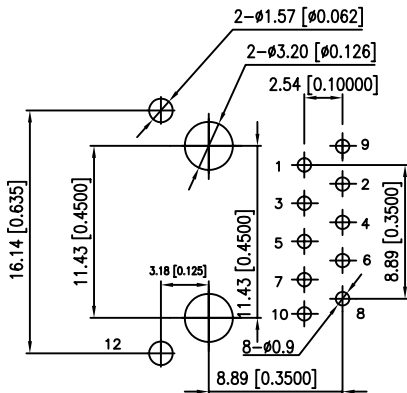
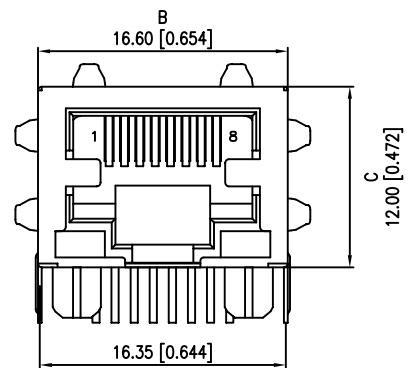
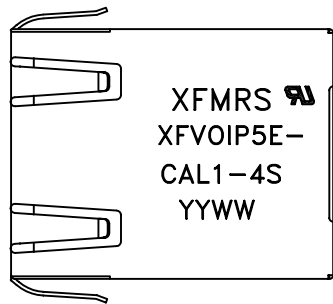
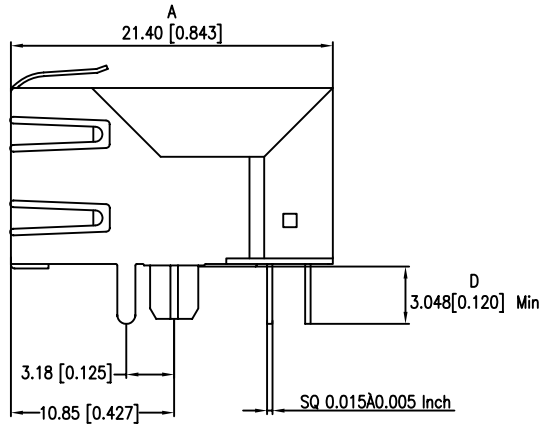
DOC. REV: A/2

<b>XFMRS Inc.</b> www.XFMRS.com		Title: POE 10/100	
UNLESS OTHERWISE SPECIFIED		P/N: XFVOIP5E-CAL1-4S	REV. A
TOLERANCES: .xxx $\pm 0.010$		DWN. Juan Mao	Jul-04-12
Dimensions in Inch		CHK. YK Liao	Jul-04-12
SHEET 1 OF 2		APP. BW	Jul-04-12

**PROPRIETARY:**

Document is the property of XFMRS Group & is not allowed to be duplicated without authorization.

# Mechanical Dimensions:



RECOMMENDED PCB LAYOUT

DOC REV: A/2

**PROPRIETARY:**

Document is the property of XFMRS Group & is not allowed to be duplicated without authorization.

<b>XFMRS Inc.</b> <a href="http://www.XFMRS.com">www.XFMRS.com</a>		Title: LOW PROFILE SINGLE PORT RJmag CONNECTOR	
UNLESS OTHERWISE SPECIFIED TOLERANCES: .xx ±0.25 .xxx ±0.010 Dimensions in MM/INCH		P/N: XFVOIP5E-CAL1-4S	REV. A
DWN.	Juan Mao	Jul-04-12	
CHK.	YK Liao	Jul-04-12	
APP.	BW	Jul-04-12	
SHEET 2 OF 2			