



CY7C09099V
CY7C09179V

3.3 V 32K/128K × 8/9 Synchronous Dual-Port Static RAM

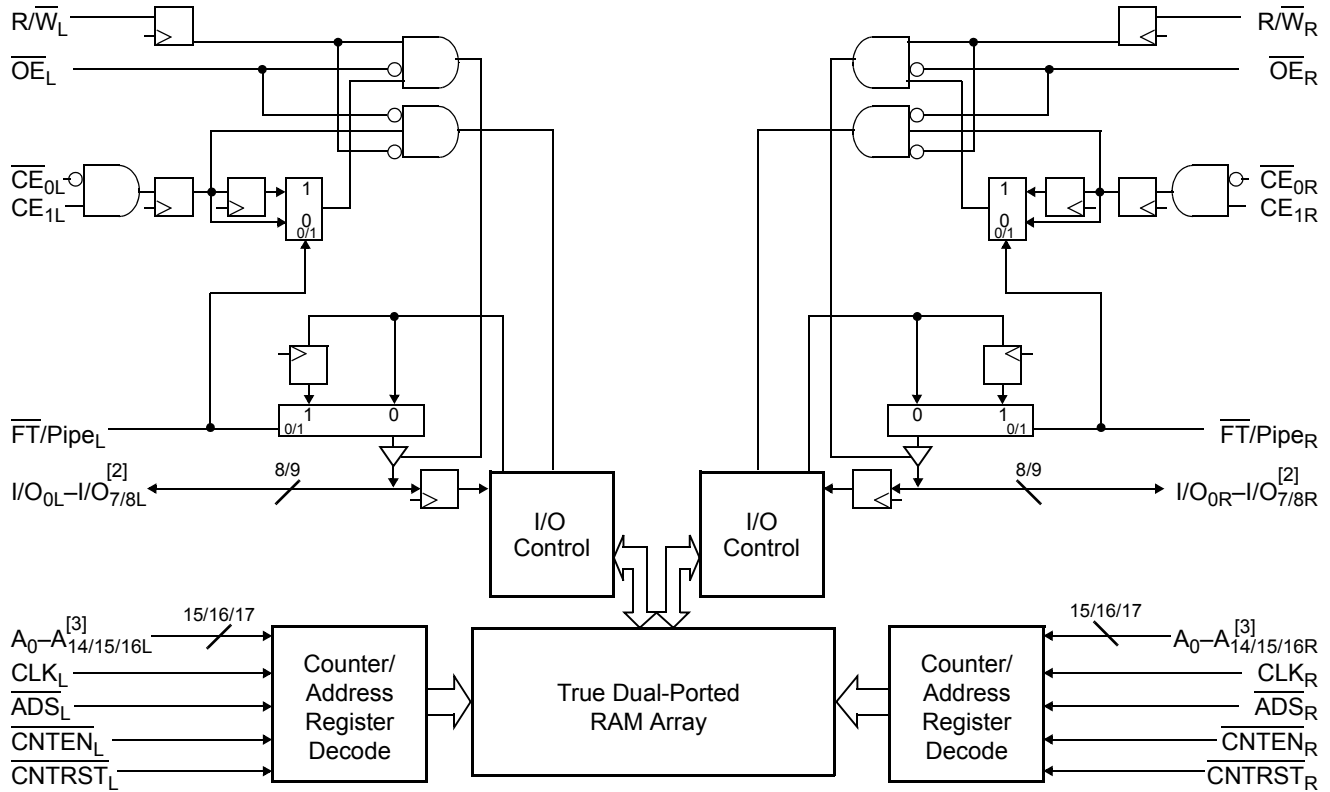
Features

- True Dual-Ported memory cells which enable simultaneous access of the same memory location
- Flow-through and Pipelined devices
- 32K × 9 organizations (CY7C09179V)
- 128K × 8 organizations (CY7C09099V)
- Three Modes
 - Flow-through
 - Pipelined
 - Burst
- Pipelined output mode on both ports enables fast 100-MHz operation
- 0.35-micron CMOS for optimum speed and power
- High-speed clock to data access 7.5^[1]/12 ns (max.)
- 3.3-V low operating power
 - Active = 115 mA (typical)
 - Standby = 10 μA (typical)
- Fully synchronous interface for easier operation
- Burst counters increment addresses internally
- Shorten cycle times
- Minimize bus noise
- Supported in Flow-through and Pipelined modes
- Dual Chip Enables for easy depth expansion
- Automatic power down
- Commercial and Industrial temperature ranges
- Available in 100-pin TQFP
- Pb-free packages available

Note

1. See [page 9](#) and [page 10](#) for Load Conditions.

Logic Block Diagram



Notes

- 2. I/O₀-I/O₇ for ×8 devices, I/O₀-I/O₈ for ×9 devices
- 3. A₀-A₁₄ for 32K and A₀-A₁₆ for 128K devices

Functional Description

The CY7C09099V and CY7C09179V are high speed synchronous CMOS 128K × 8 and 32K × 9 dual-port static RAMs. Two ports are provided, permitting independent, simultaneous access for reads and writes to any location in memory.^[4] Registers on control, address, and data lines enable minimal setup and hold times. In pipelined output mode, data is registered for decreased cycle time. Clock to data valid $t_{CD2} = 7.5$ ns^[5] (pipelined). Flow-through mode can also be used to bypass the pipelined output register to eliminate access latency. In flow-through mode, data is available $t_{CD1} = 22$ ns after the address is clocked into the device. Pipelined output or flow-through mode is selected via the FT/Pipe pin.

Each port contains a burst counter on the input address register. The internal write pulse width is independent of the LOW-to-HIGH transition of the clock signal. The internal write pulse is self-timed to enable the shortest possible cycle times.

A HIGH on \overline{CE}_0 or LOW on CE_1 for one clock cycle powers down the internal circuitry to reduce the static power consumption. The use of multiple Chip Enables enables easier banking of multiple chips for depth expansion configurations. In the pipelined mode, one cycle is required with \overline{CE}_0 LOW and CE_1 HIGH to reactivate the outputs.

Counter enable inputs are provided to stall the operation of the address input and use the internal address generated by the internal counter for fast interleaved memory applications. A port's burst counter is loaded with the port's Address Strobe (ADS). When the port's Count Enable (CNTEN) is asserted, the address counter increments on each LOW-to-HIGH transition of that port's clock signal. This reads/writes one word from/into each successive address location until CNTEN is deasserted. The counter can address the entire memory array and loops back to the start. Counter Reset (CNTRST) is used to reset the burst counter.

All parts are available in 100-pin Thin Quad Plastic Flatpack (TQFP) packages.

Notes

4. When writing simultaneously to the same location, the final value cannot be guaranteed.
5. See [page 9](#) and [page 10](#) for Load Conditions.

Contents

Pin Configurations	5	Ordering Information	24
Selection Guide	7	128 K × 8 3.3 V Synchronous Dual-Port SRAM	24
Pin Definitions	7	32 K × 9 3.3 V Synchronous Dual-Port SRAM.....	24
Maximum Ratings	8	Ordering Code Definitions	24
Operating Range	8	Package Diagram	25
Electrical Characteristics	8	Acronyms	26
Capacitance	9	Document Conventions	26
Switching Characteristics	11	Units of Measure	26
Switching Waveforms	12	Document History Page	27
Read/Write and Enable Operation	23	Sales, Solutions, and Legal Information	28
Address Counter Control Operation	23	Worldwide Sales and Design Support	28
		Products	28
		PSoC Solutions	28

Pin Configurations

Figure 1. 100-pin TQFP (Top View) - CY7C09099V (128K × 8)

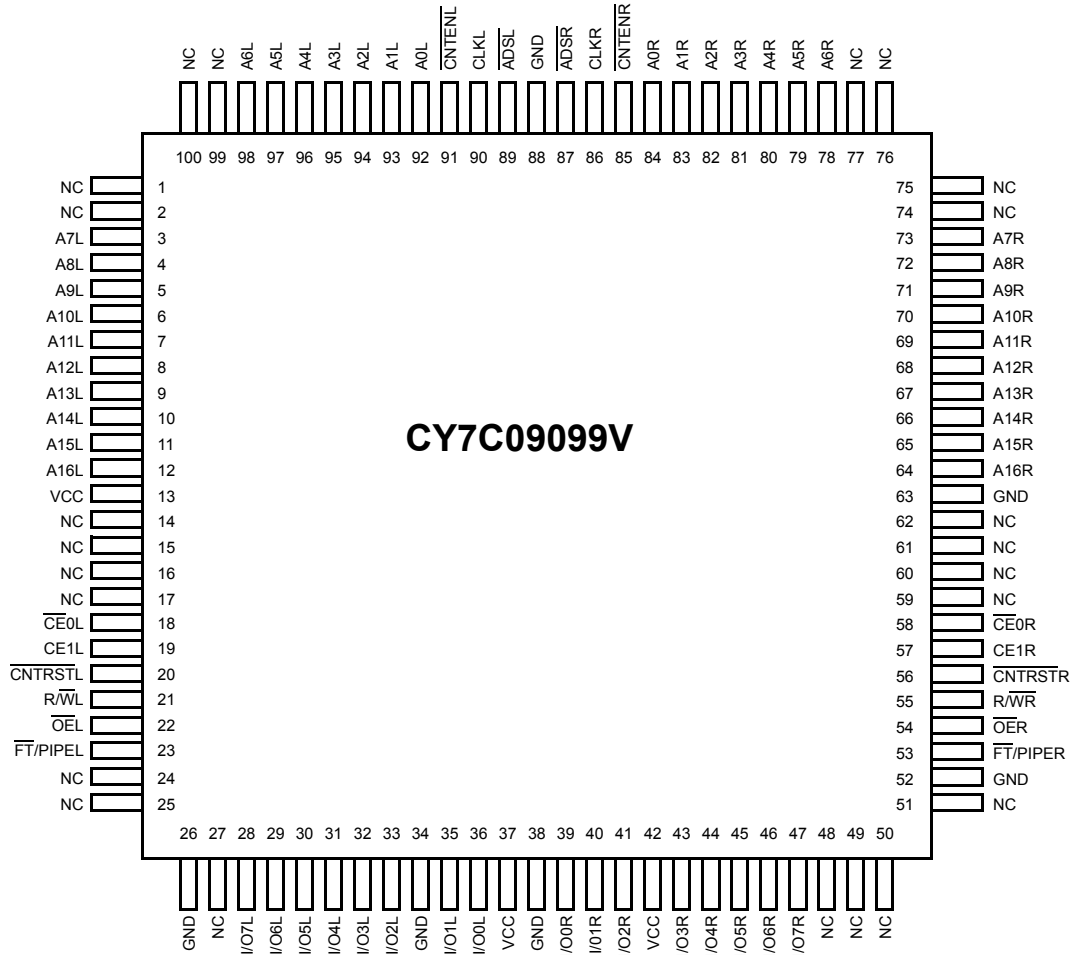
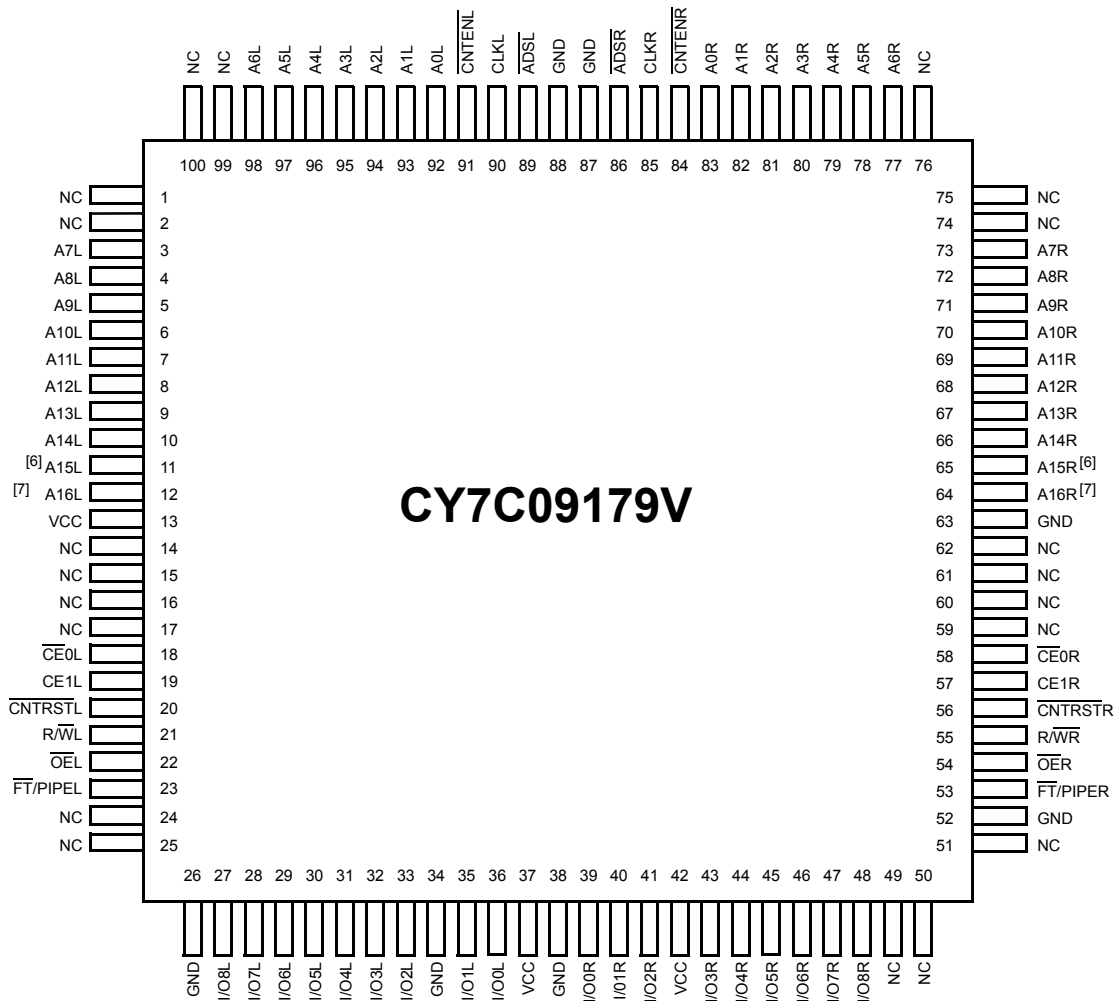


Figure 2. 100-pin TQFP (Top View) - CY7C09179V (32K × 9)



Notes

- 6. This pin is NC for CY7C09179V
- 7. This pin is NC for CY7C09179V

Selection Guide

Description	CY7C09099V -7 ^[8]	CY7C09099V CY7C09179V -12
f _{MAX2} (MHz) (Pipelined)	83	50
Max. Access Time (ns) (Clock to Data, Pipelined)	7.5	12
Typical Operating Current I _{CC} (mA)	155	115
Typical Standby Current for I _{SB1} (mA) (Both Ports TTL Level)	25	20
Typical Standby Current for I _{SB3} (μA) (Both Ports CMOS Level)	10	10

Pin Definitions

Left Port	Right Port	Description
A _{0L} -A _{16L}	A _{0R} -A _{16R}	Address Inputs (A ₀ -A ₁₄ for 32K and A ₀ -A ₁₆ for 128K devices).
ADS _L	ADS _R	Address Strobe Input. Used as an address qualifier. This signal should be asserted LOW to access the part using an externally supplied address. Asserting this signal LOW also loads the burst counter with the address present on the address pins.
\overline{CE}_{0L} , CE _{1L}	\overline{CE}_{0R} , CE _{1R}	Chip Enable Input. To select either the left or right port, both \overline{CE}_0 AND CE ₁ must be asserted to their active states ($\overline{CE}_0 \leq V_{IL}$ and CE ₁ ≥ V _{IH}).
CLK _L	CLK _R	Clock Signal. This input can be free running or strobed. Maximum clock input rate is f _{MAX} .
CNTEN _L	CNTEN _R	Counter Enable Input. Asserting this signal LOW increments the burst address counter of its respective port on each rising edge of CLK. CNTEN is disabled if ADS or CNTRST are asserted LOW.
CNTRST _L	CNTRST _R	Counter Reset Input. Asserting this signal LOW resets the burst address counter of its respective port to zero. CNTRST is not disabled by asserting ADS or CNTEN.
I/O _{0L} -I/O _{8L}	I/O _{0R} -I/O _{8R}	Data Bus Input/Output (I/O ₀ -I/O ₇ for ×8 devices; I/O ₀ -I/O ₈ for ×9 devices).
\overline{OE}_L	\overline{OE}_R	Output Enable Input. This signal must be asserted LOW to enable the I/O data pins during read operations.
R/ \overline{W}_L	R/ \overline{W}_R	Read/Write Enable Input. This signal is asserted LOW to write to the dual port memory array. For read operations, assert this pin HIGH.
$\overline{FT}/PIPE_L$	$\overline{FT}/PIPE_R$	Flow-Through/Pipelined Select Input. For flow-through mode operation, assert this pin LOW. For pipelined mode operation, assert this pin HIGH.
GND		Ground Input.
NC		No Connect.
V _{CC}		Power Input.

Note

8. See [page 9](#) and [page 10](#) for Load Conditions.

Maximum Ratings

Exceeding maximum ratings may impair the useful life of the device. These user guidelines are not tested.^[9]

Storage Temperature	-65 °C to +150 °C
Ambient Temperature with Power Applied	-55 °C to +125 °C
Supply Voltage to Ground Potential	-0.5 V to +4.6 V
DC Voltage Applied to Outputs in High Z State	-0.5 V to V _{CC} + 0.5 V
DC Input Voltage	-0.5 V to V _{CC} + 0.5 V

Output Current into Outputs (LOW)	20 mA
Static Discharge Voltage	> 2001 V
Latch-Up Current	> 200 mA

Operating Range

Range	Ambient Temperature	V _{CC}
Commercial	0 °C to +70 °C	3.3 V ± 300 mV
Industrial ^[10]	-40 °C to +85 °C	3.3 V ± 300 mV

Electrical Characteristics

Over the Operating Range

Parameter	Description	CY7C09099V/ CY7C09179V						Unit	
		-7 ^[11]			-12				
		Min	Typ	Max	Min	Typ	Max		
V _{OH}	Output HIGH Voltage (V _{CC} = Min., I _{OH} = -4.0 mA)	2.4	-	-	2.4	-	-	V	
V _{OL}	Output LOW Voltage (V _{CC} = Min., I _{OH} = +4.0 mA)	-	-	0.4	-	-	0.4	V	
V _{IH}	Input HIGH Voltage	2.0	-	-	2.0	-	-	V	
V _{IL}	Input LOW Voltage	-	-	0.8	-	-	0.8	V	
I _{OZ}	Output Leakage Current	-10	-	10	-10	-	10	μA	
I _{CC}	Operating Current (V _{CC} = Max., I _{OUT} = 0 mA) Outputs Disabled	Commercial	-	155	275	-	115	205	mA
		Industrial ^[10]	-	275	390	-	-	-	mA
I _{SB1}	Standby Current (Both Ports TTL Level) ^[12] \overline{CE}_L & \overline{CE}_R ≥ V _{IH} , f = f _{MAX}	Commercial	-	25	85	-	20	50	mA
		Industrial ^[10]	-	85	120	-	-	-	mA
I _{SB2}	Standby Current (One Port TTL Level) ^[12] \overline{CE}_L \overline{CE}_R ≥ V _{IH} , f = f _{MAX}	Commercial	-	105	165	-	85	140	mA
		Industrial ^[10]	-	165	210	-	-	-	mA
I _{SB3}	Standby Current (Both Ports CMOS Level) ^[12] \overline{CE}_L & \overline{CE}_R ≥ V _{CC} - 0.2 V, f = 0	Commercial	-	10	250	-	10	250	μA
		Industrial ^[10]	-	10	250	-	-	-	μA
I _{SB4}	Standby Current (One Port CMOS Level) ^[12] \overline{CE}_L \overline{CE}_R ≥ V _{IH} , f = f _{MAX}	Commercial	-	95	125	-	75	100	mA
		Industrial ^[10]	-	125	170	-	-	-	mA

Notes

9. The Voltage on any input or I/O pin cannot exceed the power pin during power-up.

10. Industrial parts are available in CY7C09099V

11. See page 9 and page 10 for Load Conditions.

12. \overline{CE}_L and \overline{CE}_R are internal signals. To select either the left or right port, both \overline{CE}_0 AND CE₁ must be asserted to their active states ($\overline{CE}_0 \leq V_{IL}$ and CE₁ ≥ V_{IH}).

Capacitance

Parameter	Description	Test Conditions	Max	Unit
C_{IN}	Input Capacitance	$T_A = 25\text{ }^\circ\text{C}$, $f = 1\text{ MHz}$, $V_{CC} = 3.3\text{ V}$	10	pF
C_{OUT}	Output Capacitance		10	pF

Figure 3. AC Test Loads

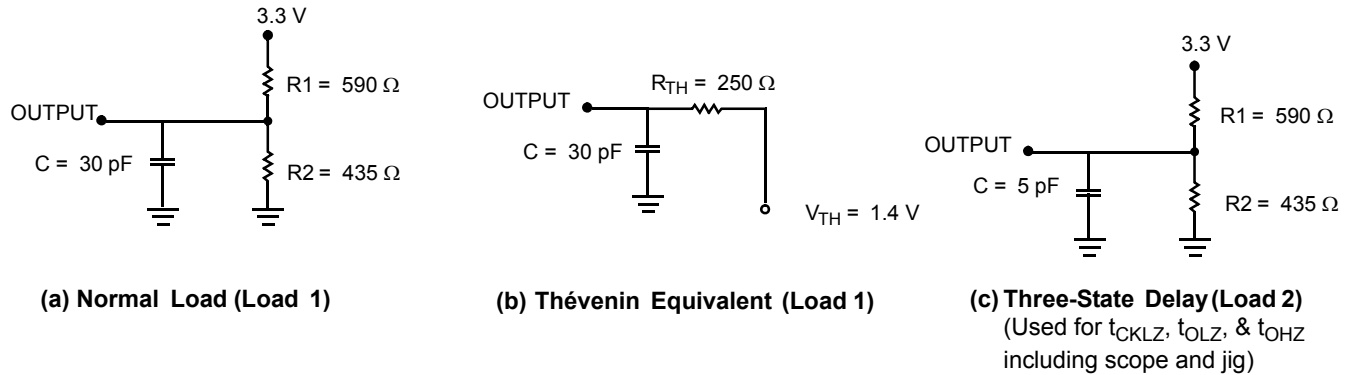
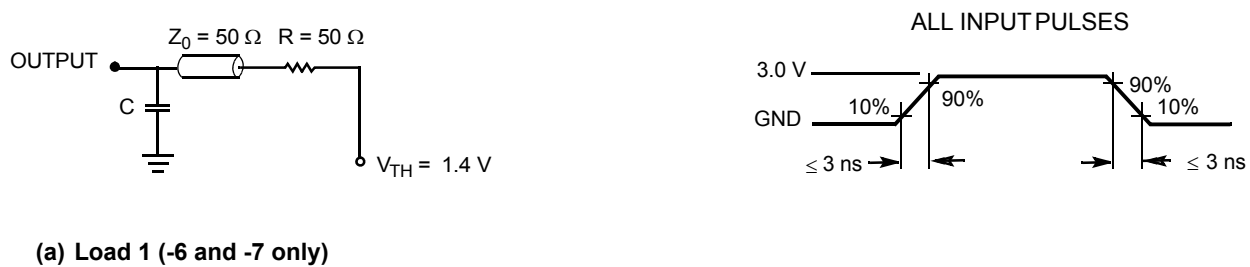


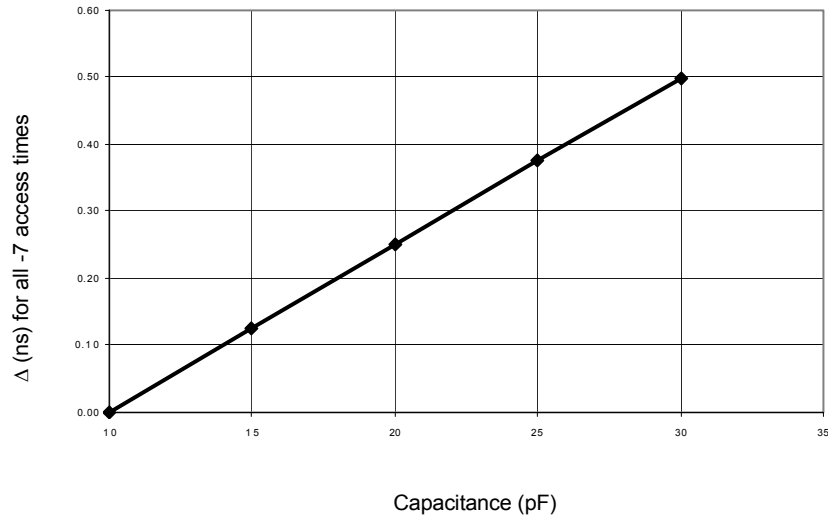
Figure 4. AC Test Loads (Applicable to -6 and -7 only)^[13]



Note

13. Test Conditions: $C = 10\text{ pF}$.

Figure 5. Load Derating Curve



Switching Characteristics

Over the Operating Range

Parameter	Description	CY7C09099V CY7C09179V				Unit
		-7 ^[14]		-12		
		Min	Max	Min	Max	
f _{MAX1}	f _{Max} Flow-through	–	45	–	33	MHz
f _{MAX2}	f _{Max} Pipelined	–	83	–	50	MHz
t _{CYC1}	Clock Cycle Time - Flow-through	22	–	30	–	ns
t _{CYC2}	Clock Cycle Time - Pipelined	12	–	20	–	ns
t _{CH1}	Clock HIGH Time - Flow-through	7.5	–	12	–	ns
t _{CL1}	Clock LOW Time - Flow-through	7.5	–	12	–	ns
t _{CH2}	Clock HIGH Time - Pipelined	5	–	8	–	ns
t _{CL2}	Clock LOW Time - Pipelined	5	–	8	–	ns
t _R	Clock Rise Time	–	3	–	3	ns
t _F	Clock Fall Time	–	3	–	3	ns
t _{SA}	Address Set-Up Time	4	–	4	–	ns
t _{HA}	Address Hold Time	0	–	1	–	ns
t _{SC}	Chip Enable Set-Up Time	4	–	4	–	ns
t _{HC}	Chip Enable Hold Time	0	–	1	–	ns
t _{SW}	R/W Set-Up Time	4	–	4	–	ns
t _{HW}	R/W Hold Time	0	–	1	–	ns
t _{SD}	Input Data Set-Up Time	4	–	4	–	ns
t _{HD}	Input Data Hold Time	0	–	1	–	ns
t _{SAD}	ADS Set-Up Time	4	–	4	–	ns
t _{HAD}	ADS Hold Time	0	–	1	–	ns
t _{SCN}	CNTEN Set-Up Time	4.5	–	5	–	ns
t _{HCN}	CNTEN Hold Time	0	–	1	–	ns
t _{SRST}	CNTRST Set-Up Time	4	–	4	–	ns
t _{HRST}	CNTRST Hold Time	0	–	1	–	ns
t _{OE}	Output Enable to Data Valid	–	9	–	12	ns
t _{OLZ} ^[15, 16]	OE to Low Z	2	–	2	–	ns
t _{OHZ} ^[15, 16]	OE to High Z	1	7	1	7	ns
t _{CD1}	Clock to Data Valid - Flow-through	–	18	–	25	ns
t _{CD2}	Clock to Data Valid - Pipelined	–	7.5	–	12	ns
t _{DC}	Data Output Hold After Clock HIGH	2	–	2	–	ns
t _{CKHZ} ^[15, 16]	Clock HIGH to Output High Z	2	9	2	9	ns
t _{CKLZ} ^[15, 16]	Clock HIGH to Output Low Z	2	–	2	–	ns

Notes

14. See page 9 and page 10 for Load Conditions.

15. Test conditions used are Load 2.

16. This parameter is guaranteed by design, but it is not production tested.

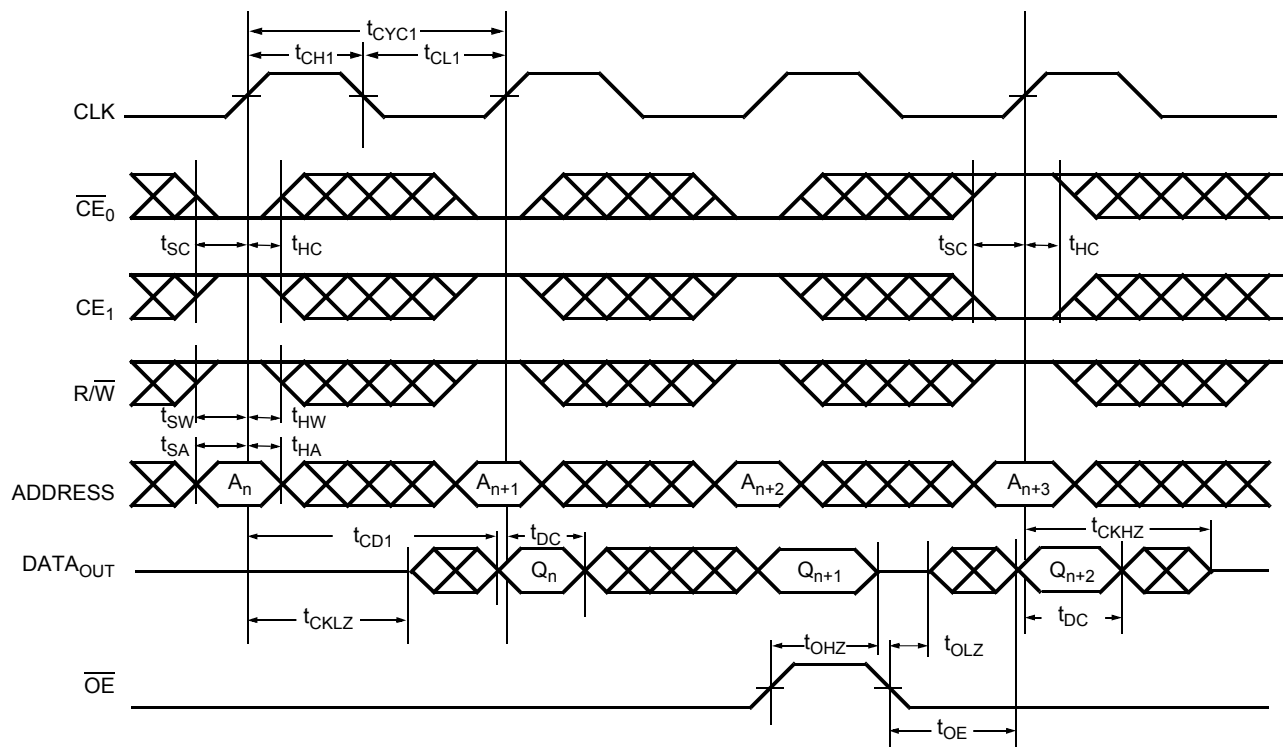
Switching Characteristics (continued)

Over the Operating Range

Parameter	Description	CY7C09099V CY7C09179V				Unit
		-7 ^[14]		-12		
		Min	Max	Min	Max	
Port to Port Delays						
t_{CWDD}	Write Port Clock HIGH to Read Data Delay	–	35	–	40	ns
t_{CCS}	Clock to Clock Set-Up Time	–	10	–	15	ns

Switching Waveforms

Figure 6. Read Cycle for Flow-through Output ($\overline{FT}/PIPE = V_{IL}$)^[17, 18, 19, 20]

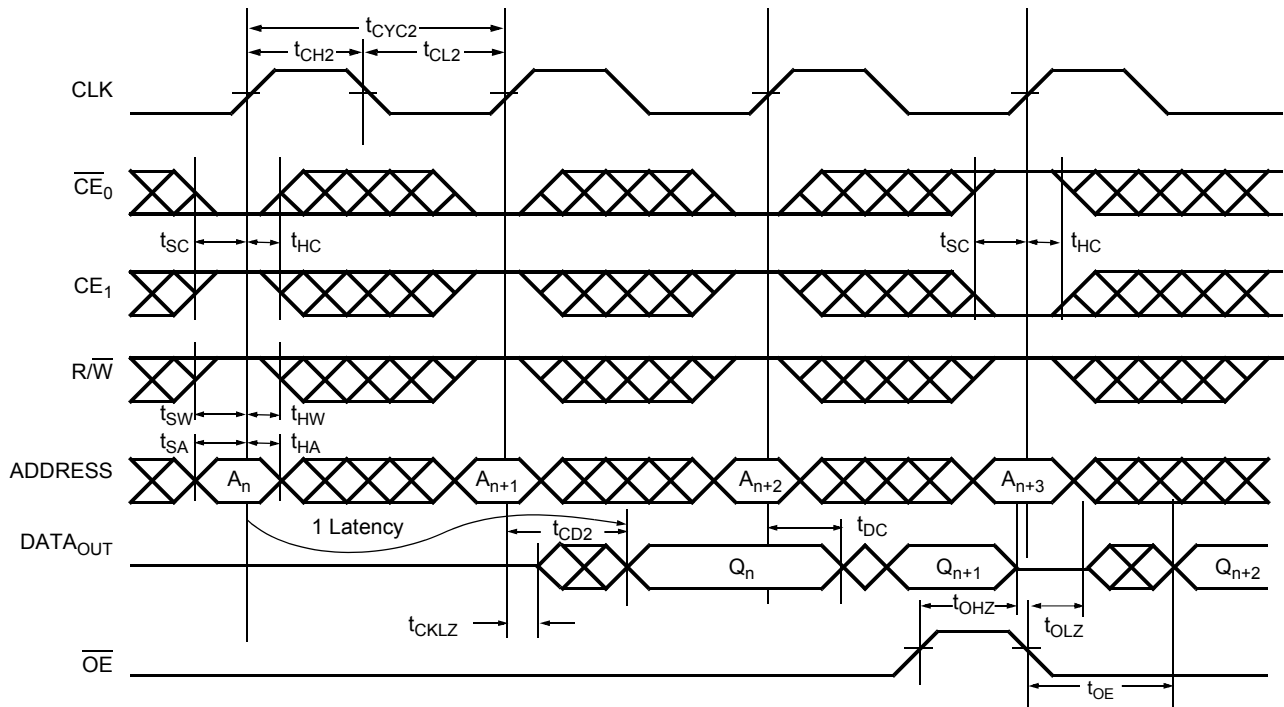


Notes

17. \overline{OE} is asynchronously controlled; all other inputs are synchronous to the rising clock edge.
18. $ADS = V_{IL}$, $CNTEN$ and $CNTRST = V_{IH}$.
19. The output is disabled (high-impedance state) by $\overline{CE}_0 = V_{IH}$ or $CE_1 = V_{IL}$ following the next rising edge of the clock.
20. Addresses do not have to be accessed sequentially since $ADS = V_{IL}$ constantly loads the address on the rising edge of the CLK. Numbers are for reference only.

Switching Waveforms (continued)

Figure 7. Read Cycle for Pipelined Operation ($\overline{FT}/PIPE = V_{IH}$)^[21, 22, 23, 24]

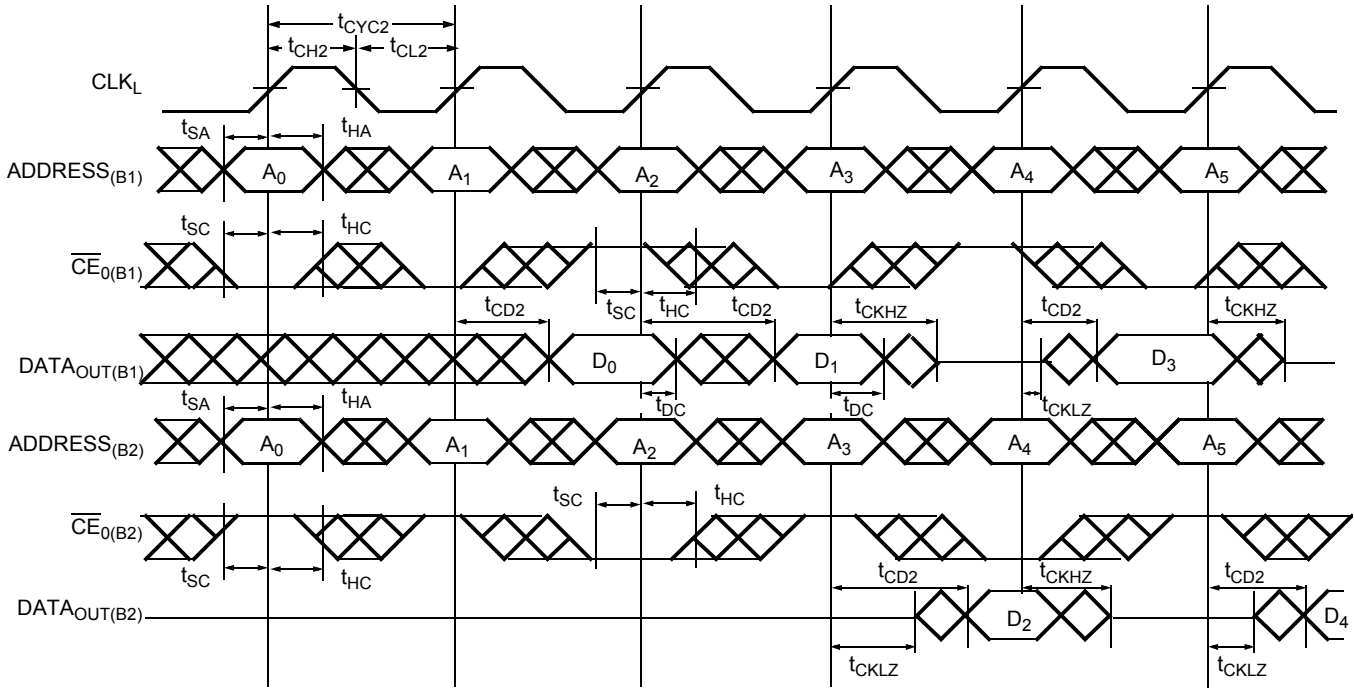


Notes

21. \overline{OE} is asynchronously controlled; all other inputs are synchronous to the rising clock edge.
22. $ADS = V_{IL}$, \overline{CNTEN} and $\overline{CNRST} = V_{IH}$.
23. The output is disabled (high-impedance state) by $\overline{CE}_0 = V_{IH}$ or $CE_1 = V_{IL}$ following the next rising edge of the clock.
24. Addresses do not have to be accessed sequentially since $ADS = V_{IL}$ constantly loads the address on the rising edge of the CLK. Numbers are for reference only.

Switching Waveforms (continued)

Figure 8. Bank Select Pipelined Read^[25, 26]



Notes

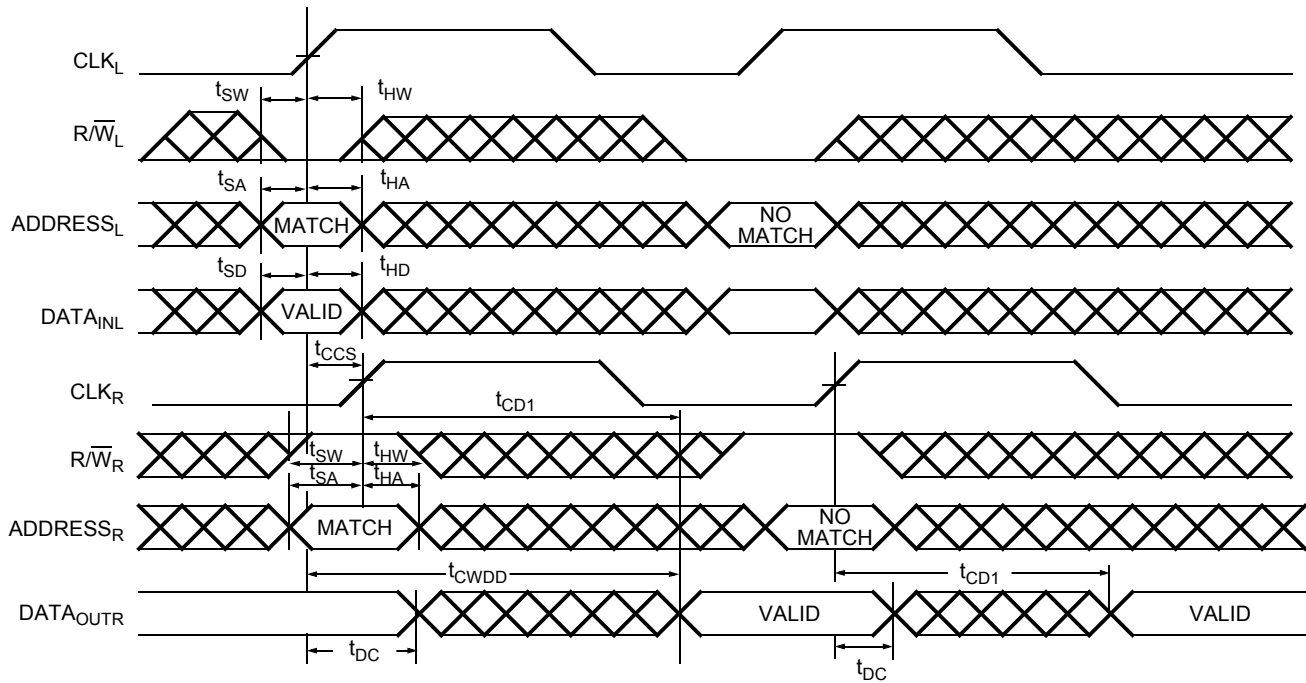
25. In this depth expansion example, B1 represents Bank #1 and B2 is Bank #2; Each Bank consists of one Cypress dual-port device from this datasheet.

ADDRESS_(B1) = ADDRESS_(B2).

26. OE and ADS = V_{IL}; CE_{1(B1)}, CE_{1(B2)}, R/W, CNTEN, and CNTRST = V_{IH}.

Switching Waveforms (continued)

Figure 9. Left Port Write to Flow-through Right Port Read^[27, 28, 29, 30]

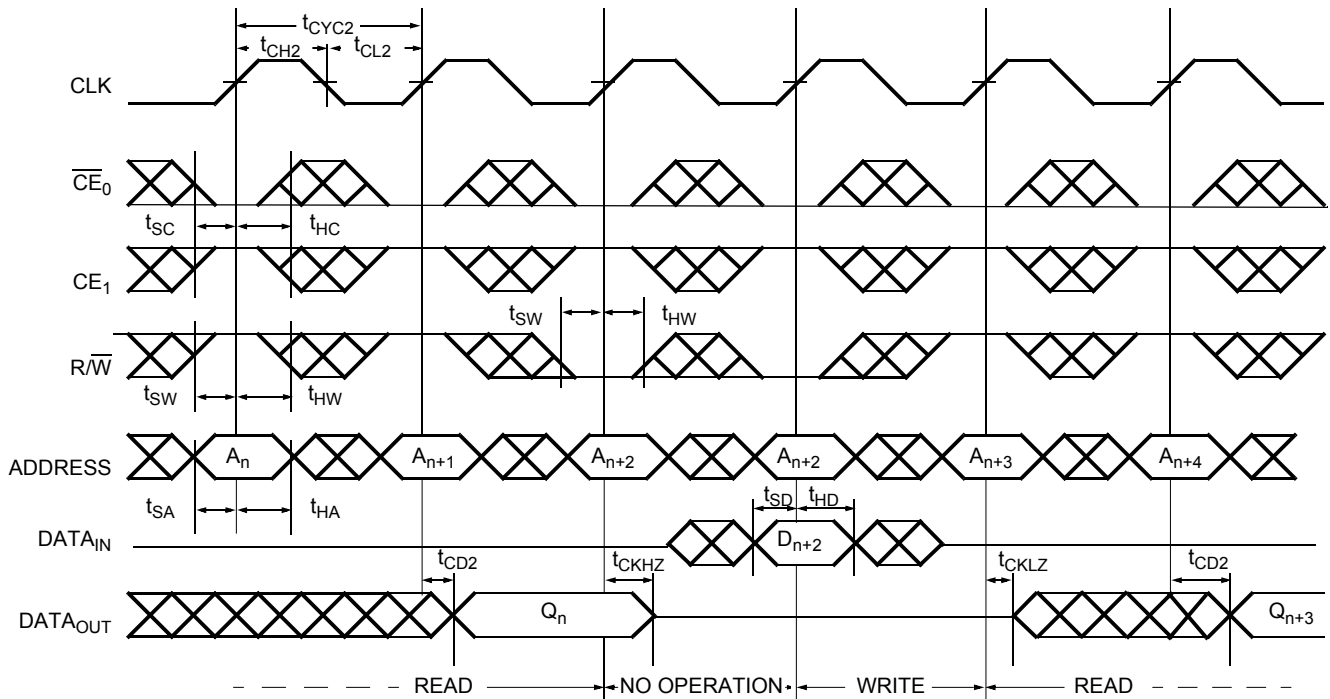


Notes

- 27. The same waveforms apply for a right port write to flow-through left port read.
- 28. \overline{CE}_0 and $\overline{ADS} = V_{IL}$; CE_1 , \overline{CNTEN} , and $\overline{CNRST} = V_{IH}$.
- 29. $\overline{OE} = V_{IL}$ for the right port, which is being read from. $\overline{OE} = V_{IH}$ for the left port, which is being written to.
- 30. If $t_{CCS} \leq$ maximum specified, then data from right port READ is not valid until the maximum specified for t_{CWDD} . If $t_{CCS} >$ maximum specified, then data is not valid until $t_{CCS} + t_{CD1}$. t_{CWDD} does not apply in this case.

Switching Waveforms (continued)

Figure 10. Pipelined Read-to-Write-to-Read ($\overline{OE} = V_{IL}$)^[31, 32, 33, 34]

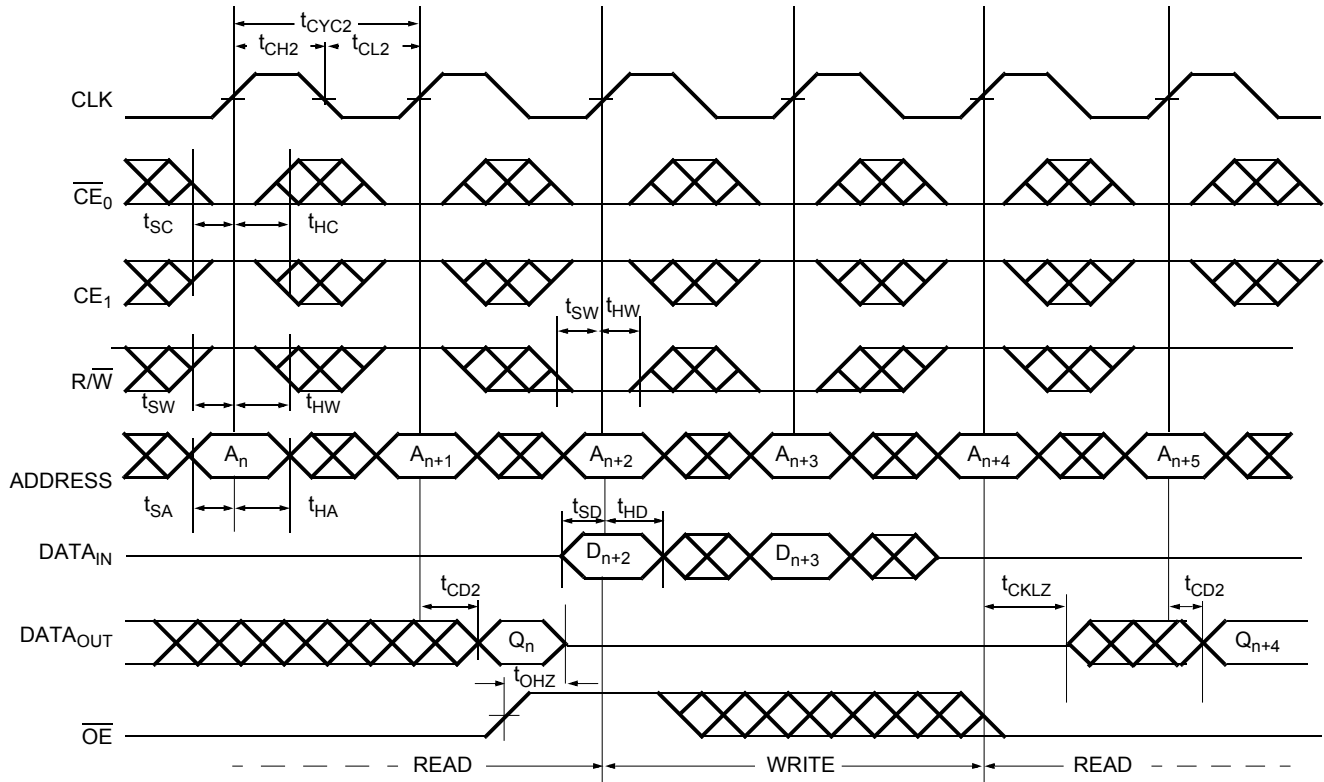


Notes

- 31. Addresses do not have to be accessed sequentially since $\overline{ADS} = V_{IL}$ constantly loads the address on the rising edge of the CLK. Numbers are for reference only.
- 32. Output state (HIGH, LOW, or high-impedance) is determined by the previous cycle control signals.
- 33. \overline{CE}_0 and $\overline{ADS} = V_{IL}$; CE_1 , \overline{CNTEN} , and $\overline{CNTRST} = V_{IH}$.
- 34. During "No Operation", data in memory at the selected address may be corrupted and should be re-written to ensure data integrity.

Switching Waveforms (continued)

Figure 11. Pipelined Read-to-Write-to-Read ($\overline{\text{OE}}$ Controlled)^[35, 36, 37, 38]

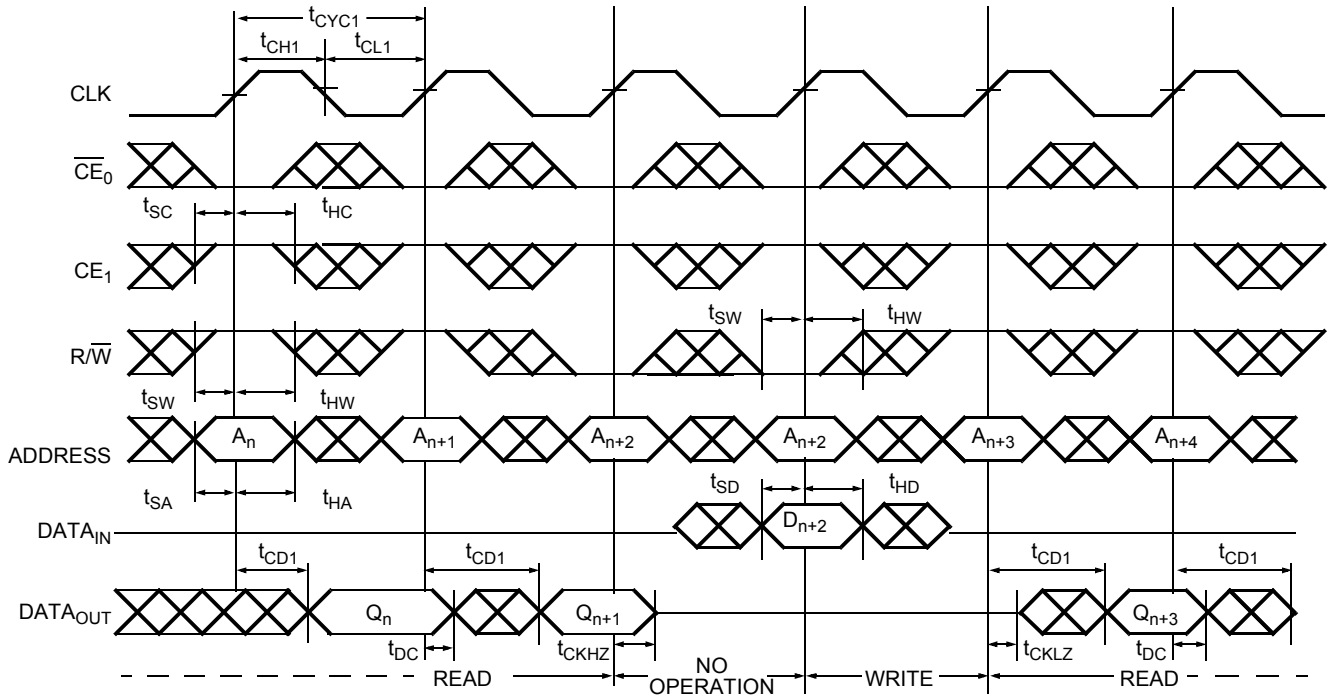


Notes

- 35. Addresses do not have to be accessed sequentially since $\overline{\text{ADS}} = V_{\text{IL}}$ constantly loads the address on the rising edge of the CLK. Numbers are for reference only.
- 36. Output state (HIGH, LOW, or high-impedance) is determined by the previous cycle control signals.
- 37. $\overline{\text{CE}}_0$ and $\overline{\text{ADS}} = V_{\text{IL}}$; CE_1 , CNTEN , and $\text{CNRST} = V_{\text{IH}}$.
- 38. During "No Operation", data in memory at the selected address may be corrupted and should be re-written to ensure data integrity.

Switching Waveforms (continued)

Figure 12. Flow-through Read-to-Write-to-Read ($\overline{OE} = V_{IL}$)^[39, 40, 41, 42, 43]



Notes

39. $\overline{ADS} = V_{IL}$, \overline{CNTEN} and $\overline{CNTRST} = V_{IH}$.

40. Addresses do not have to be accessed sequentially since $\overline{ADS} = V_{IL}$ constantly loads the address on the rising edge of the CLK. Numbers are for reference only.

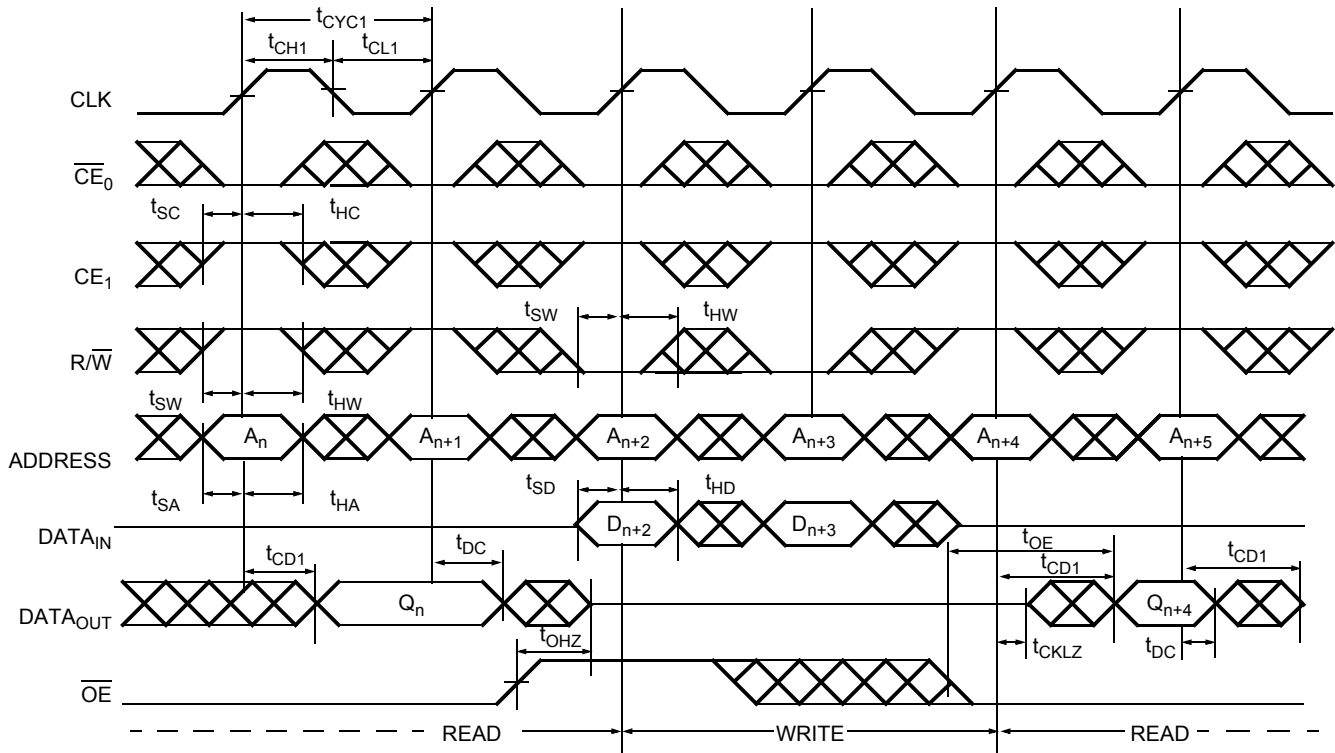
41. Output state (HIGH, LOW, or high-impedance) is determined by the previous cycle control signals.

42. \overline{CE}_0 and $\overline{ADS} = V_{IL}$; \overline{CE}_1 , \overline{CNTEN} , and $\overline{CNTRST} = V_{IH}$.

43. During "No Operation", data in memory at the selected address may be corrupted and should be re-written to ensure data integrity.

Switching Waveforms (continued)

Figure 13. Flow-through Read-to-Write-to-Read ($\overline{\text{OE}}$ Controlled)^[44, 45, 46, 47, 48]



Notes

44. $\overline{\text{ADS}} = V_{\text{IL}}$, $\overline{\text{CNTEN}}$ and $\overline{\text{CNRST}} = V_{\text{IH}}$.

45. In this depth expansion example, B1 represents Bank #1 and B2 is Bank #2; Each Bank consists of one Cypress dual-port device from this datasheet.

$\text{ADDRESS}_{(\text{B}1)} = \text{ADDRESS}_{(\text{B}2)}$.

46. Output state (HIGH, LOW, or high-impedance) is determined by the previous cycle control signals.

47. $\overline{\text{CE}}_0$ and $\overline{\text{ADS}} = V_{\text{IL}}$; $\overline{\text{CE}}_1$, $\overline{\text{CNTEN}}$, and $\overline{\text{CNRST}} = V_{\text{IH}}$.

48. During "No Operation", data in memory at the selected address may be corrupted and should be re-written to ensure data integrity.

Switching Waveforms (continued)

Figure 14. Pipelined Read with Address Counter Advance^[49]

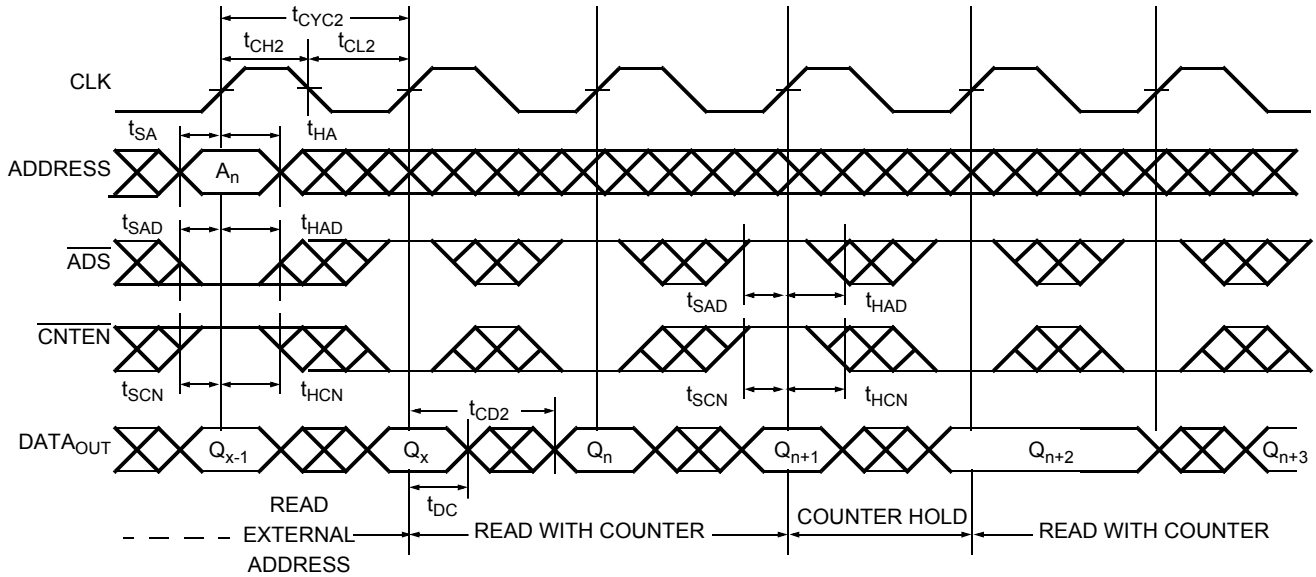
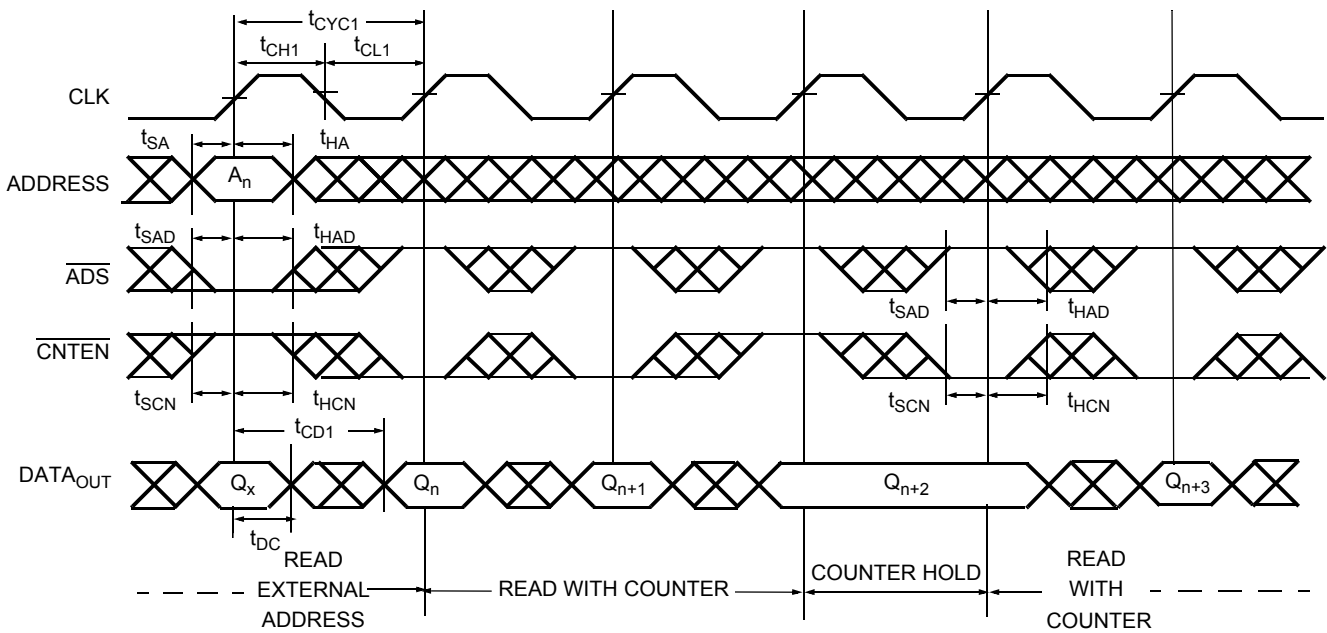


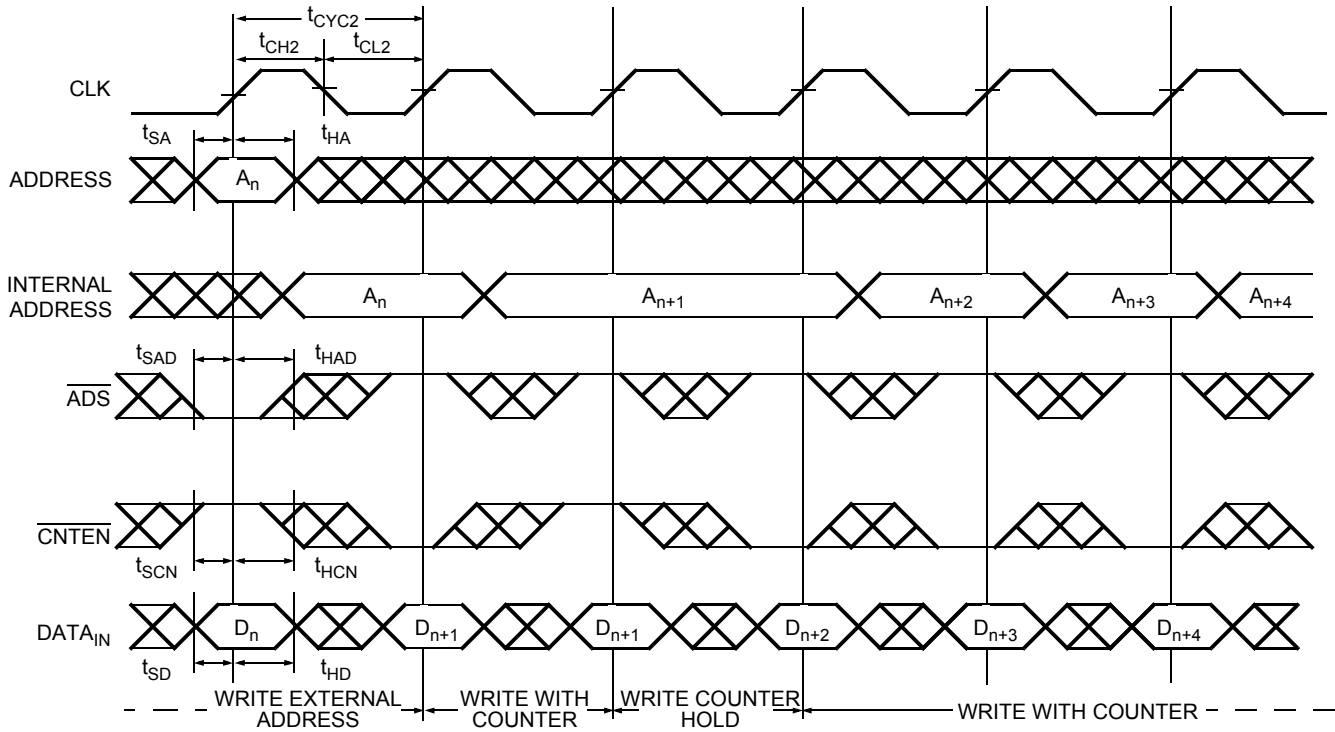
Figure 15. Flow-through Read with Address Counter Advance^[49]



Note
49. $\overline{\text{CE}}_0$ and $\overline{\text{OE}} = V_{\text{IL}}$; CE_1 , $\text{R}/\overline{\text{W}}$ and $\overline{\text{CNTST}} = V_{\text{IH}}$.

Switching Waveforms (continued)

Figure 16. Write with Address Counter Advance (Flow-through or Pipelined Outputs)^[50, 51]



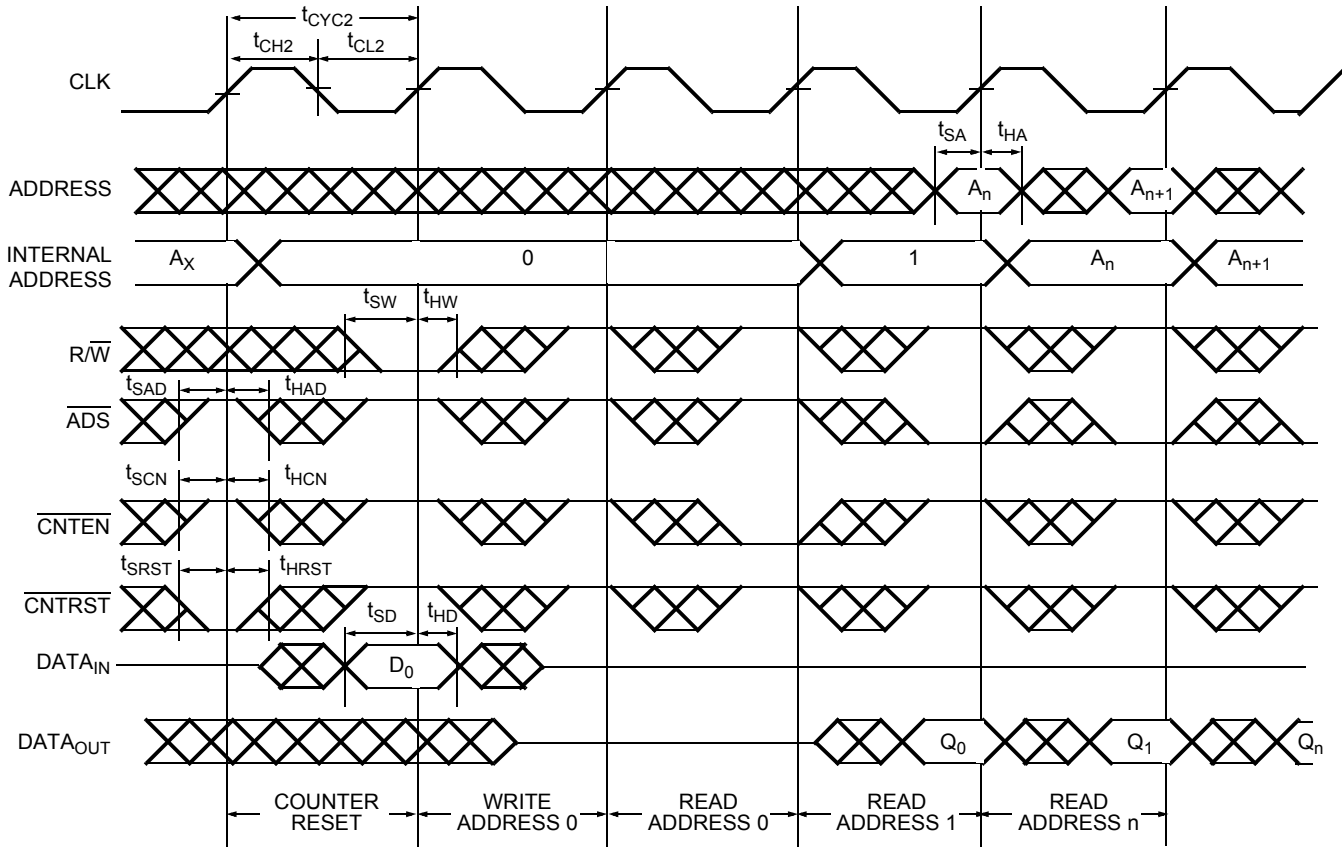
Notes

50. \overline{CE}_0 and $R/\overline{W} = V_{IL}$; CE_1 and $\overline{CNTRST} = V_{IH}$.

51. The "Internal Address" is equal to the "External Address" when $\overline{ADS} = V_{IL}$ and equals the counter output when $\overline{ADS} = V_{IH}$.

Switching Waveforms (continued)

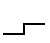
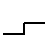
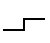

Figure 17. Counter Reset (Pipelined Outputs)^[52, 53, 54, 55]







Notes

52. Addresses do not have to be accessed sequentially since $\overline{ADS} = V_{IL}$ constantly loads the address on the rising edge of the CLK. Numbers are for reference only.
53. Output state (HIGH, LOW, or high-impedance) is determined by the previous cycle control signals.
54. $\overline{CE}_0 = V_{IL}$; $CE_1 = V_{IH}$.
55. No dead cycle exists during counter reset. A READ or WRITE cycle may be coincidental with the counter reset.

Read/Write and Enable Operation [56, 57, 58]

Inputs					Outputs	Operation
OE	CLK	CE ₀	CE ₁	R/W	I/O ₀ –I/O ₉	
X		H	X	X	High Z	Deselected ^[59]
X		X	L	X	High Z	Deselected ^[59]
X		L	H	L	D _{IN}	Write
L		L	H	H	D _{OUT}	Read ^[59]
H	X	L	H	X	High Z	Outputs Disabled

Address Counter Control Operation [56, 60, 61, 62]

Address	Previous Address	CLK	ADS	CNTEN	CNTRST	I/O	Mode	Operation
X	X		X	X	L	D _{out(0)}	Reset	Counter Reset to Address 0
A _n	X		L	X	H	D _{out(n)}	Load	Address Load into Counter
X	A _n		H	H	H	D _{out(n)}	Hold	External Address Blocked—Counter Disabled
X	A _n		H	L	H	D _{out(n+1)}	Increment	Counter Enabled—Internal Address Generation

Notes

- 56. "X" = "Don't Care", "H" = V_{IH}, "L" = V_{IL}.
- 57. ADS, CNTEN, CNTRST = "Don't Care."
- 58. OE is an asynchronous input signal.
- 59. When CE changes state in the pipelined mode, deselection and read happen in the following clock cycle.
- 60. CE₀ and OE = V_{IL}; CE₁ and R/W = V_{IH}.
- 61. Data shown for flow-through mode; pipelined mode output will be delayed by one cycle.
- 62. Counter operation is independent of CE₀ and CE₁.

Ordering Information

The following table contains only the parts that are currently available. If you do not see what you are looking for, contact your local sales representative. For more information, visit the Cypress website at www.cypress.com and refer to the product summary page at <http://www.cypress.com/products>

Cypress maintains a worldwide network of offices, solution centers, manufacturer's representatives and distributors. To find the office closest to you, visit us at <http://www.cypress.com/go/datasheet/offices>.

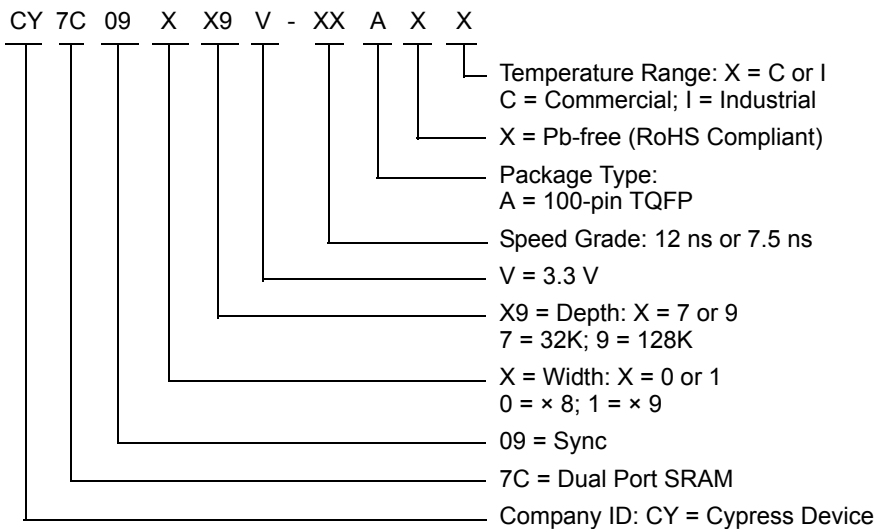
128 K × 8 3.3 V Synchronous Dual-Port SRAM

Speed (ns)	Ordering Code	Package Name	Package Type	Operating Range
7.5 ^[63]	CY7C09099V-7AXI	A100	100-pin Thin Quad Flat Pack (Pb-free)	Industrial
12	CY7C09099V-12AXC	A100	100-pin Thin Quad Flat Pack (Pb-free)	Commercial

32 K × 9 3.3 V Synchronous Dual-Port SRAM

Speed (ns)	Ordering Code	Package Name	Package Type	Operating Range
12	CY7C09179V-12AXC	A100	100-pin Thin Quad Flat Pack (Pb-free)	Commercial

Ordering Code Definitions

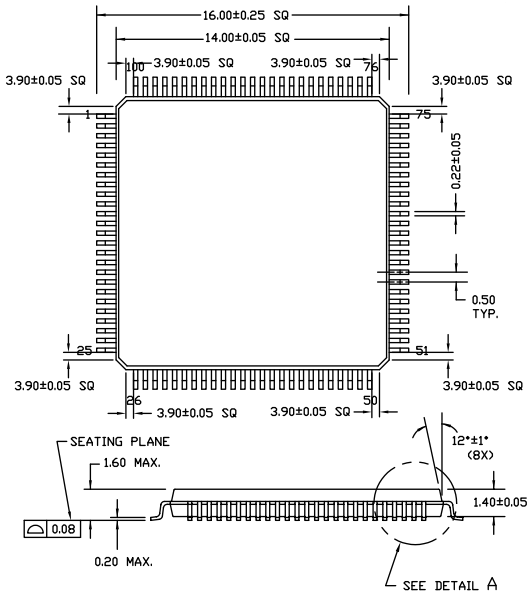


Note

63. See [page 9](#) and [page 10](#) for Load Conditions.

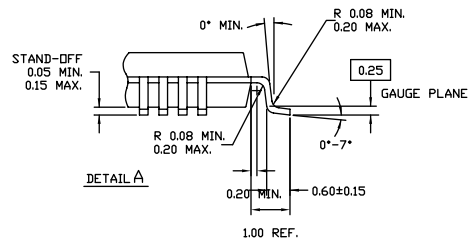
Package Diagram

Figure 18. 100-pin TQFP 14 × 14 × 1.4 mm A100SA, 51-85048

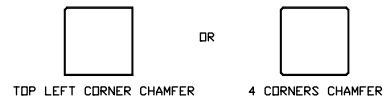


NOTE:

1. JEDEC STD REF MS-026
2. BODY LENGTH DIMENSION DOES NOT INCLUDE MOLD PROTRUSION/END FLASH
MOLD PROTRUSION/END FLASH SHALL NOT EXCEED 0.0098 in (0.25 mm) PER SIDE
BODY LENGTH DIMENSIONS ARE MAX PLASTIC BODY SIZE INCLUDING MOLD MISMATCH
3. DIMENSIONS IN MILLIMETERS



NOTE: PKG. CAN HAVE



51-85048 *1

Acronyms

Acronym	Description
CMOS	complementary metal oxide semiconductor
I/O	input/output
OE	output enable
SRAM	static random access memory
TQFP	thin quad flat pack
TTL	transistor-transistor logic
WE	write enable

Document Conventions

Units of Measure

Symbol	Unit of Measure
°C	degree Celsius
MHz	megahertz
μA	microamperes
mA	milliamperes
mm	millimeter
ms	milliseconds
mV	millivolts
ns	nanoseconds
Ω	ohm
%	percent
pF	picofarads
V	volts
W	watts

Document History Page

Document Title: CY7C09099V, CY7C09179V, 3.3 V 32K/128K × 8/9 Synchronous Dual-Port Static RAM				
Document Number: 38-06043				
Rev.	ECN No.	Orig. of Change	Orig. of Change	Description of Change
**	110191	SZV	09/29/01	Change from Spec number: 38-00667 to 38-06043
*A	122293	RBI	12/27/02	Power up requirements added to Operating Conditions Information
*B	365034	PCN	See ECN	Added Pb-Free Logo Added Pb-Free Part Ordering Information: CY7C09089V-6AXC, CY7C09089V-12AXC, CY7C09099V-6AXC, CY7C09099V-7AI, CY7C09099V-7AXI, CY7C09099V-12AXC, CY7C09179V-6AXC, CY7C09179V-12AXC, CY7C09189V-6AXC, CY7C09189V-12AXC, CY7C09199V-6AXC, CY7C09199V-7AXC, CY7C09199V-9AXC, CY7C09199V-9AXI, CY7C09199V-12AXC
*C	2623658	VKN/PYRS	12/17/08	Added CY7C09089V-12AXI part in the Ordering information table
*D	2897159	RAME	03/22/10	Removed inactive parts from ordering information table. Updated package diagram. Added Note in ordering information section.
*E	3110406	ADMU	12/14/2010	Updated Ordering Information . Added Ordering Code Definitions .
*F	3264673	ADMU	05/24/2011	Updated Document Title to read "CY7C09099V, CY7C09179V, 3.3 V 32 K/64 K/128 K × 8/9 Synchronous Dual-Port Static RAM". Updated Features . Updated Pin Configurations (Removed the Note "This pin is NC for CY7C09079V." in page 5). Updated Selection Guide . Updated Package Diagram . Added Acronyms and Units of Measure . Updated in new template.
*G	3849285	ADMU	12/21/2012	Updated Ordering Information (Updated part numbers). Updated Package Diagram : spec 51-85048 – Changed revision from *E to *G.
*H	4411062	ADMU	06/17/2014	Information for MPNs CY7C09089V and CY7C09199V removed. Information for -6 and -9 speed bins also removed. Updated document title to "CY7C09099V, CY7C09179V, 3.3 V 32K/128K × 8/9 Synchronous Dual-Port Static RAM"

Sales, Solutions, and Legal Information

Worldwide Sales and Design Support

Cypress maintains a worldwide network of offices, solution centers, manufacturer's representatives, and distributors. To find the office closest to you, visit us at cypress.com/sales.

Products

Automotive	cypress.com/go/automotive
Clocks & Buffers	cypress.com/go/clocks
Interface	cypress.com/go/interface
Lighting & Power Control	cypress.com/go/powerpsoc cypress.com/go/plc
Memory	cypress.com/go/memory
Optical & Image Sensing	cypress.com/go/image
PSoC	cypress.com/go/psoc
Touch Sensing	cypress.com/go/touch
USB Controllers	cypress.com/go/USB
Wireless/RF	cypress.com/go/wireless

PSoC Solutions

psoc.cypress.com/solutions
PSoC 1 | PSoC 3 | PSoC 5

© Cypress Semiconductor Corporation, 2001-2014. The information contained herein is subject to change without notice. Cypress Semiconductor Corporation assumes no responsibility for the use of any circuitry other than circuitry embodied in a Cypress product. Nor does it convey or imply any license under patent or other rights. Cypress products are not warranted nor intended to be used for medical, life support, life saving, critical control or safety applications, unless pursuant to an express written agreement with Cypress. Furthermore, Cypress does not authorize its products for use as critical components in life-support systems where a malfunction or failure may reasonably be expected to result in significant injury to the user. The inclusion of Cypress products in life-support systems application implies that the manufacturer assumes all risk of such use and in doing so indemnifies Cypress against all charges.

Any Source Code (software and/or firmware) is owned by Cypress Semiconductor Corporation (Cypress) and is protected by and subject to worldwide patent protection (United States and foreign), United States copyright laws and international treaty provisions. Cypress hereby grants to licensee a personal, non-exclusive, non-transferable license to copy, use, modify, create derivative works of, and compile the Cypress Source Code and derivative works for the sole purpose of creating custom software and or firmware in support of licensee product to be used only in conjunction with a Cypress integrated circuit as specified in the applicable agreement. Any reproduction, modification, translation, compilation, or representation of this Source Code except as specified above is prohibited without the express written permission of Cypress.

Disclaimer: CYPRESS MAKES NO WARRANTY OF ANY KIND, EXPRESS OR IMPLIED, WITH REGARD TO THIS MATERIAL, INCLUDING, BUT NOT LIMITED TO, THE IMPLIED WARRANTIES OF MERCHANTABILITY AND FITNESS FOR A PARTICULAR PURPOSE. Cypress reserves the right to make changes without further notice to the materials described herein. Cypress does not assume any liability arising out of the application or use of any product or circuit described herein. Cypress does not authorize its products for use as critical components in life-support systems where a malfunction or failure may reasonably be expected to result in significant injury to the user. The inclusion of Cypress' product in a life-support systems application implies that the manufacturer assumes all risk of such use and in doing so indemnifies Cypress against all charges.

Use may be limited by and subject to the applicable Cypress software license agreement.