

## Power management IC with LIN transceiver

### Features

- One 5 V low-drop voltage regulators (100 mA, continuous mode)
- No electrolytic capacitor required on regulator output (only 220 nF ceramic typ.)
- Ultra-low quiescent current in  $V_{BAT-standby}$  (7  $\mu$ A) and  $V_{1-standby}$  (45  $\mu$ A)
- Window watchdog and advanced fail-safe functionality
- Configurable fail-safe output
- Programmable reset threshold (4.6 V; 3.5 V)
- $V_S$  monitoring / temperature measurement
- LIN 2.1 compliant (SAE J2602 compatible) transceiver
- High-speed LIN Flash mode up to 100 Kbit/s
- ST SPI interface for mode control and diagnostics
- 2 high-side drivers, e.g. LED or HALL ( $R_{DSon,typ} = 7 \Omega$ )
- 2 low-side drivers ( $R_{DSon,typ} = 2 \Omega$ )
- Outputs are short-circuit protected
- Direct drive feature for high sides
- Temperature warning and thermal shutdown

### Applications

- Automotive ECUs requiring LIN and power management features such as door zone, and body control modules



### Description

The L99PM60J is a power management system IC that features one low-drop regulator, a direct drive for high-side drivers, and a LIN 2.1 compliant SAE J2602 transceiver.

The integrated standard serial peripheral interface (SPI) controls all L99PM60J operation modes and provides driver diagnostic functions.

**Table 1. Device summary**

Package	Order codes	
	Tube	Tape and reel
PowerSSO-16	L99PM60J	L99PM60JTR

# Contents

<b>1</b>	<b>Block diagram and pin descriptions</b>	<b>8</b>
<b>2</b>	<b>Detailed description</b>	<b>10</b>
2.1	Voltage regulator	10
2.1.1	Voltage regulator failure	10
2.1.2	Voltage regulator behaviour	11
2.2	Power control in operating modes	11
2.2.1	Active mode	11
2.2.2	Flash mode	12
2.2.3	$V_{1\text{-standby}}$ mode	12
2.2.4	$V_{\text{BAT-standby}}$ mode	12
2.3	Wake up from standby modes	13
2.4	Cyclic contact supply	13
2.5	Functional overview (truth table)	14
2.6	Window – watchdog	15
2.7	Fail Safe mode	18
2.7.1	Temporary failures	18
2.7.2	Nonrecoverable failures – entering forced $V_{\text{BAT-standby}}$ mode	19
2.7.3	Fail Safe Output (OUT1)	21
2.8	Reset output (NRESET)	22
2.9	LIN bus interface	22
2.9.1	Error handling	22
2.9.2	Wake up (from LIN)	23
2.10	Serial Peripheral Interface (ST SPI Standard)	23
<b>3</b>	<b>Protection and diagnosis</b>	<b>25</b>
3.1	High side driver outputs	25
3.1.1	OUT1 reprogramming	25
3.2	Low side driver outputs REL1, REL2	26
3.3	SPI diagnosis	26
<b>4</b>	<b>Power supply fail</b>	<b>27</b>
4.1	VS overvoltage	27

4.2	VS undervoltage .....	27
4.3	Temperature warning and thermal shutdown .....	28
<b>5</b>	<b>Typical application .....</b>	<b>29</b>
<b>6</b>	<b>Electrical specifications .....</b>	<b>30</b>
6.1	Absolute maximum ratings .....	30
6.2	ESD protection .....	30
6.3	Thermal data .....	31
6.4	Electrical characteristics .....	32
6.4.1	Supply and supply monitoring .....	32
6.4.2	Oscillator .....	32
6.4.3	Power-on reset ( $V_S$ ) .....	33
6.4.4	Voltage regulator $V_1$ .....	33
6.4.5	Reset output ( $V_1$ supervision) .....	34
6.4.6	Watchdog .....	34
6.4.7	High-side outputs .....	35
6.4.8	Low-side drivers .....	36
6.4.9	Direct drive / voltage supply monitoring .....	36
6.4.10	LIN .....	37
6.4.11	SPI .....	40
<b>7</b>	<b>ST SPI .....</b>	<b>47</b>
7.1	SPI communication flow .....	47
7.1.1	General description .....	47
7.1.2	Command byte .....	47
7.1.3	Operating code definition .....	47
7.1.4	Global status register .....	48
7.1.5	Configuration register .....	49
7.1.6	Address mapping .....	51
7.1.7	Write operation .....	51
7.1.8	Format of data shifted out at SDO during write cycle .....	52
7.1.9	Read operation .....	53
7.1.10	Format of data shifted out at SDO during read cycle .....	53
7.1.11	Read and clear status operation .....	54
7.1.12	Format of data shifted out at SDO during 'Read and Clear Status' operation .....	55

---

7.1.13	Read device information	56
7.2	SPI registers	57
7.2.1	Status register	63
<b>8</b>	<b>Package and PCB thermal data</b>	<b>68</b>
8.1	PowerSSO-16 thermal data	68
<b>9</b>	<b>Package and Packaging Information</b>	<b>71</b>
9.1	ECOPACK®	71
9.2	PowerSSO-16 package information	71
9.3	PowerSSO-16 packing information	73
<b>10</b>	<b>Revision history</b>	<b>74</b>

## List of tables

Table 1.	Device summary . . . . .	1
Table 2.	Pin descriptions and functions . . . . .	8
Table 3.	Wake up sources . . . . .	13
Table 4.	Functional overview (truth table). . . . .	14
Table 5.	Fail safe conditions and exit modes . . . . .	19
Table 6.	Failures management . . . . .	19
Table 7.	Absolute maximum rating . . . . .	30
Table 8.	ESD protection . . . . .	30
Table 9.	Operating junction temperature . . . . .	31
Table 10.	Temperature warning and thermal shutdown . . . . .	31
Table 11.	Supply and supply monitoring. . . . .	32
Table 12.	Oscillator. . . . .	33
Table 13.	Power-on reset ( $V_S$ ) . . . . .	33
Table 14.	Voltage regulator $V_1$ . . . . .	33
Table 15.	Reset output ( $V_1$ supervision). . . . .	34
Table 16.	Watchdog . . . . .	34
Table 17.	Output. . . . .	36
Table 18.	Relay drivers. . . . .	36
Table 19.	Input: DRV . . . . .	37
Table 20.	Output: VSOUT. . . . .	37
Table 21.	LIN transmit data input: pin TXD. . . . .	38
Table 22.	LIN receive data output: pin RXD . . . . .	38
Table 23.	LIN transmitter and receiver: pin LIN . . . . .	38
Table 24.	LIN transceiver timing. . . . .	39
Table 25.	LIN Flash mode . . . . .	40
Table 26.	Input: CSN . . . . .	41
Table 27.	Input CSN for Flash mode . . . . .	41
Table 28.	Inputs: CLK, DI . . . . .	41
Table 29.	DI timing . . . . .	42
Table 30.	Output DO. . . . .	42
Table 31.	DO timing . . . . .	43
Table 32.	CSN timing . . . . .	43
Table 33.	RXDL/NINT timing . . . . .	44
Table 34.	Command byte . . . . .	47
Table 35.	Operating code definition . . . . .	47
Table 36.	Global status register . . . . .	48
Table 37.	Detailed global status register . . . . .	48
Table 38.	Configuration register . . . . .	49
Table 39.	Addressing mapping . . . . .	51
Table 40.	Write command format . . . . .	51
Table 41.	Format of data shifted out at SDO during write cycle: global status register . . . . .	52
Table 42.	Format of data shifted out at SDO during write cycle: data byte . . . . .	52
Table 43.	Read command format . . . . .	53
Table 44.	Format of data shifted out at SDO during read cycle: global status register. . . . .	53
Table 45.	Format of data shifted out at SDO during read cycle: data byte. . . . .	53
Table 46.	Read and clear status' command format' . . . . .	54
Table 47.	Format of data shifted out at SDO during 'Read and Clear Status' operation: global status register . . . . .	55

Table 48.	Format of data shifted out at SDO during read cycle: data byte . . . . .	55
Table 49.	Read device information . . . . .	56
Table 50.	ID-Header . . . . .	56
Table 51.	Family identifier . . . . .	56
Table 52.	Silicon version . . . . .	57
Table 53.	Silicon version code . . . . .	57
Table 54.	SPI-frame-ID . . . . .	57
Table 55.	SPI register: command byte . . . . .	57
Table 56.	SPI register: mode selection . . . . .	58
Table 57.	SPI register: CTRL register selection . . . . .	58
Table 58.	SPI register: STAT register selection . . . . .	58
Table 59.	Overview of control register data byte . . . . .	58
Table 60.	Control register 1 . . . . .	59
Table 61.	Control register 1, 1 <sup>st</sup> data byte . . . . .	59
Table 62.	Control register 1, bits . . . . .	59
Table 63.	Control register 2 . . . . .	61
Table 64.	Control register 2, 1 <sup>st</sup> data byte . . . . .	61
Table 65.	Control register 2, bits . . . . .	61
Table 66.	Overview of status register data bytes . . . . .	63
Table 67.	Global status register . . . . .	63
Table 68.	Status register 1, command and data byte . . . . .	63
Table 69.	Status register 1, data byte . . . . .	64
Table 70.	Status register 1, bits . . . . .	64
Table 71.	Status register 2, command and data byte . . . . .	64
Table 72.	Status register 2, data byte . . . . .	64
Table 73.	Status register 2, bits . . . . .	64
Table 74.	Status register 3, command and data byte . . . . .	65
Table 75.	Status register 3, data byte . . . . .	65
Table 76.	Status register 3, bits . . . . .	65
Table 77.	Status register 4, command and data byte . . . . .	66
Table 78.	Status register 4, data byte . . . . .	66
Table 79.	Status register 4, bits . . . . .	66
Table 80.	PowerSSO-16 thermal parameter . . . . .	70
Table 81.	PowerSSO-16 mechanical data . . . . .	72
Table 82.	Document revision history . . . . .	74

## List of figures

Figure 1.	block diagram . . . . .	8
Figure 2.	Pin connection PowerSSO-16 (top view) . . . . .	9
Figure 3.	Supply voltage operation summary . . . . .	11
Figure 4.	Operating modes – main states . . . . .	15
Figure 5.	Watchdog in normal operating mode (no errors) . . . . .	16
Figure 6.	Watchdog with error conditions . . . . .	17
Figure 7.	Watchdog in FLASH Mode . . . . .	17
Figure 8.	Recovery after forced VBAT due to multiple watchdog failure . . . . .	20
Figure 9.	Recovery after forced VBAT due to multiple TSD2 failure . . . . .	20
Figure 10.	Recovery after forced VBAT due to short at $V_1$ failure . . . . .	21
Figure 11.	Thermal shutdown protection and diagnosis . . . . .	28
Figure 12.	Typical application diagram . . . . .	29
Figure 13.	Watchdog timing (missing watchdog trigger) . . . . .	35
Figure 14.	Watchdog early, late and safe windows . . . . .	35
Figure 15.	LIN transmit, receive timing . . . . .	40
Figure 16.	SPI – input timing . . . . .	44
Figure 17.	SPI – output timing . . . . .	45
Figure 18.	SPI transition parameters . . . . .	46
Figure 19.	SPI global status register access . . . . .	46
Figure 20.	Read configuration register. . . . .	50
Figure 21.	Write configuration register. . . . .	50
Figure 22.	Format of data shifted out at SDO during write cycle . . . . .	52
Figure 23.	Format of data shifted out at SDO during read cycle . . . . .	54
Figure 24.	Format of data shifted out at SDO during ‘Read and Clear Status’ operation . . . . .	55
Figure 25.	Thermal data of PowerSSO-16. . . . .	68
Figure 26.	$R_{thj-amb}$ vs PCB copper area in open box free air condition . . . . .	68
Figure 27.	$V_1$ thermal impedance . . . . .	69
Figure 28.	Thermal fitting model of $V_1$ . . . . .	69
Figure 29.	PowerSSO-16 package dimensions . . . . .	71
Figure 30.	PowerSSO-16 tube shipment (no suffix) . . . . .	73
Figure 31.	PowerSSO-16 tape and reel shipment (no suffix) . . . . .	73

# 1 Block diagram and pin descriptions

Figure 1. block diagram

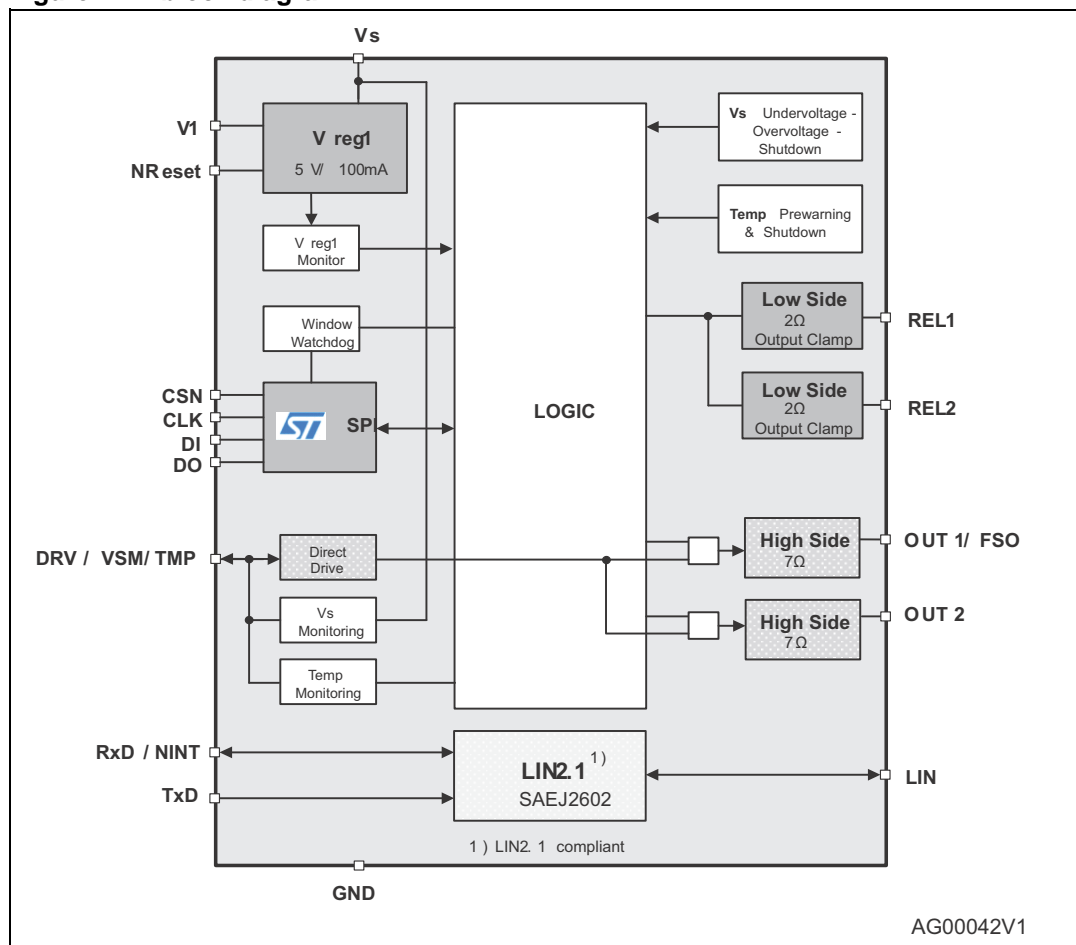


Table 2. Pin descriptions and functions

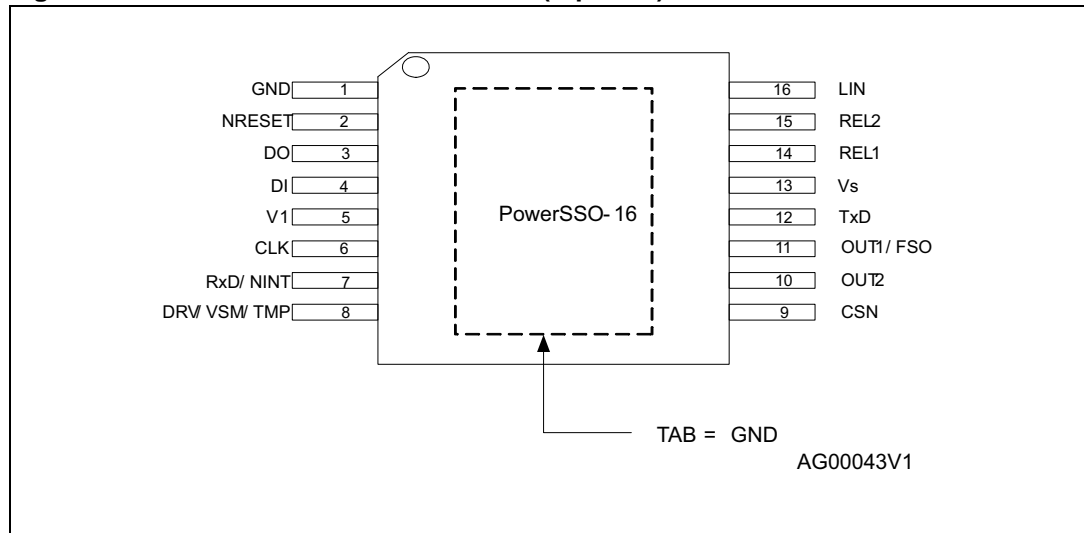
Pin	Symbol	Function
1	GND	Ground
2	NRESET	NReset output to micro controller; Internal pull-up of typ. 100 KΩ (reset state = LOW)
3	DO	SPI: serial data output
4	DI	SPI: serial data input
5	V1	Voltage regulator 1 output: 5 V supply e.g. micro controller
6	CLK	SPI: serial clock input
7	RxD/NINT	Receiver output of the LIN 2.1 transceiver or interrupt:
8	DRV/VSM/TMP	Direct drive for high-side drivers OUT1/2; V <sub>S</sub> and temperature monitoring
9	CSN	SPI: chip select not input



**Table 2. Pin descriptions and functions (continued)**

Pin	Symbol	Function
10	OUT2	High side drivers (7 Ω, typ.): to supply e.g. LED's, HALL sensors, external contacts
11	OUT1/FSO	High side driver (7 Ω, typ.): to supply e.g. LED's, HALL sensors, external contacts
12	TxD	Transmitter input of the LIN 2.1 transceiver
13	V <sub>S</sub>	Power supply voltage
14	REL1	Low side driver (2 Ω typ.): e.g. relay
15	REL2	Low side driver (2 Ω typ.): e.g. relay
16	LIN	LIN bus line

**Figure 2. Pin connection PowerSSO-16 (top view)**



*Note: It is recommended to connect pin GND directly to the Heat Slug.*

## 2 Detailed description

### 2.1 Voltage regulator

The L99PM60J contains a fully protected low drop voltage regulator, which is designed for very fast transient response. The output voltage is stable with loads capacitors  $\geq 220$  nF

The  $V_1$  voltage regulator provides 5 V supply voltage and up to 100 mA continuous load current and is mainly intended for supply of the system microcontroller. The  $V_1$  regulator is embedded in the power management and failsafe functionality of the device and operates according to the selected operating mode.

In addition the regulator  $V_1$  drives the L99PM60J internal 5 V loads. The voltage regulator is protected against overload and overtemperature. An external reverse current protection has to be provided by the application circuitry to prevent the input capacitor from being discharged by negative transients or low input voltage. Current limitation of the regulator ensures fast charge of external bypass capacitors. The output voltage is stable for ceramic load capacitors  $\geq 220$  nF.

If device temperature exceeds TSD1 threshold, all outputs (OUTx, RELx, LIN) are deactivated except  $V_1$ . Hence the micro controller has the possibility for interaction or error logging. In case of exceeding TSD2 threshold ( $TSD2 > TSD1$ ), also  $V_1$  is deactivated (see state chart [Figure 11](#)). A timer is started and the voltage regulator is deactivated for  $t_{TSD}$ . During this time, all other walk-up sources (LIN) are disabled. After 1 sec., the voltage regulator tries to restart automatically. If the restart fails 7 times without clearing and thermal shutdown condition still exists, the L99PM60J enters the  $V_{BAT-standby}$  mode.

In case of short to GND at " $V_1$ " after initial turn on ( $V_1 < V_{1fail}$  for  $t > t_{v1short}$ ) the L99PM60J enters the  $V_{BAT-standby}$  mode. Reactivation (wake-up) of the device can be achieved with signals from LIN.

#### 2.1.1 Voltage regulator failure

The  $V_1$  regulator output voltage is monitored.

In case of a drop below the  $V_1$  – fail thresholds ( $V_1 < V_{1fail}$  for  $t > t_{v1fail}$ ), the  $V_1$  -fail bit is latched. The fail bits can be cleared by a dedicated SPI command.

##### Short to ground detection

At power-on, in case of short detection on  $V_1$ , the regulator output switches off after  $t_{v1short}$  and the L99PM60J turns to forced  $V_{BAT-standby}$  mode. The forced  $V_{BAT}$  TSD2/SHTV1 and  $V_{1fail}$  lists are set.

During Normal mode, once the regulator exceeded the  $V_{1fail}$  threshold, in case of short detection on  $V_1$ , the device turns to force  $V_{BAT-standby}$  mode only after thermal shutdown TSD2 detection. In this case the forced  $V_{BAT}$  TSD2/SHTV1 bit is set.

##### $V_1$ undervoltage warning

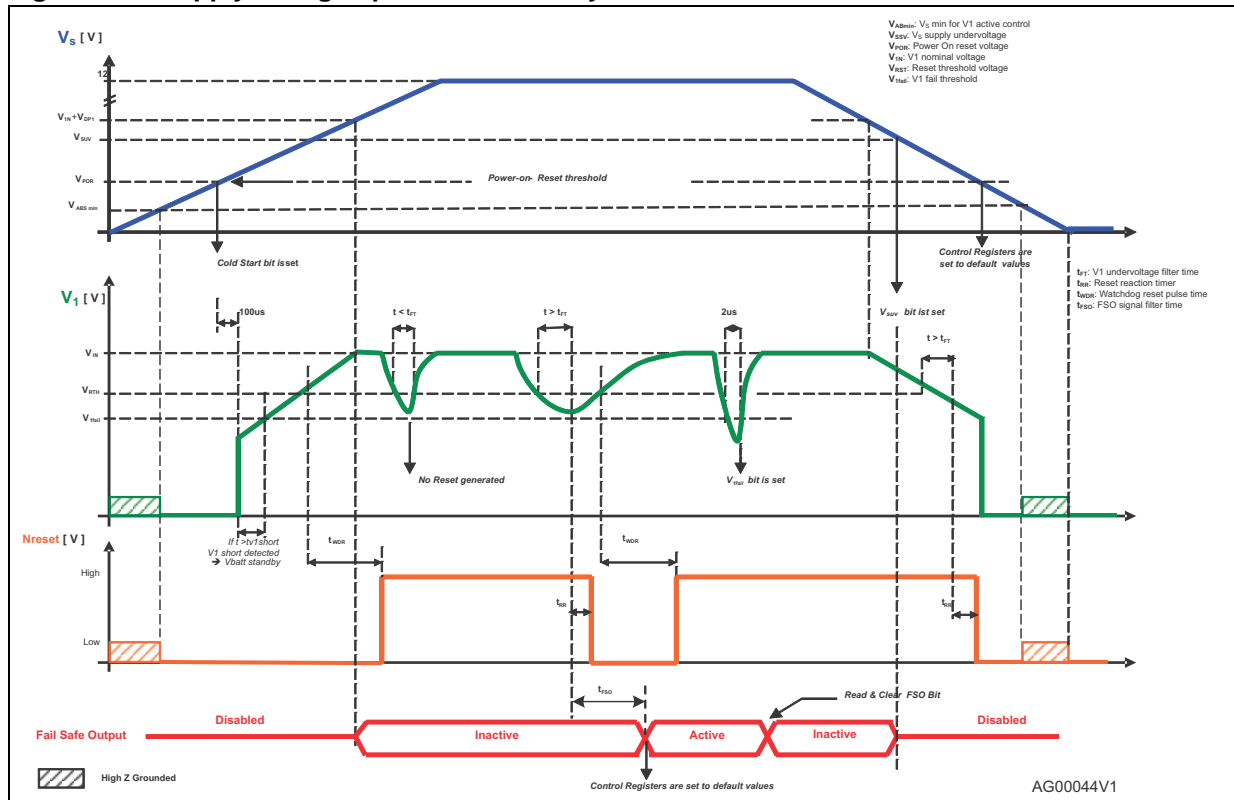
For the L99PM60J 2 different  $V_1$  reset thresholds can be selected. The higher threshold  $V_{RT2}$  is set by default. If the lower threshold is selected the  $V_1$  undervoltage warning flag is set, if the voltage on  $V_1$  output drops below the higher threshold. This Bit is latched and can be read and optionally cleared.

### V<sub>1</sub> failure failsafe activation

If the voltage on V<sub>1</sub> output drops below the selected V<sub>1</sub> reset threshold the RESET output is pulled to ground. If the V<sub>1</sub> output voltage remains below the V<sub>1</sub> reset threshold for longer than t<sub>FSO</sub>, fail safe mode is activated additionally. For more details about failsafe please refer to chapter Fail safe mode

## 2.1.2 Voltage regulator behaviour

Figure 3. Supply voltage operation summary



## 2.2 Power control in operating modes

The L99PM60J can be operated in 4 different operating modes:

- Active
- Flash
- V<sub>1</sub>-standby
- V<sub>BAT</sub>-standby

### 2.2.1 Active mode

All functions are available and the device is controlled by the ST SPI Interface.

### 2.2.2 Flash mode

To program the system microcontroller, the L99PM60J can be operated in Flash Mode where the internal watchdog is disabled. In addition the SPI-Interface and low power modes are not available in Flash Mode.

The mode can be entered if the following condition is applied

$$V_{CSN} \geq V_{Flash}$$

At exit from Flash Mode ( $V_{CSN} < V_{flash}$ ) no NReset pulse is generated and the watchdog starts with a Long Open Window.

*Note:* "High" level for flash mode selection is  $V_{CSN} \geq V_{flash}$ . For all other operation modes, standard 5V logic signals are required.

### 2.2.3 V<sub>1</sub>-standby mode

The transition from Active Mode to V<sub>1</sub>-standby mode is controlled by SPI.

To supply the micro controller in a low power mode, the voltage regulator 1 (V<sub>1</sub>) remains active. In order to reduce the current consumption, the regulator goes in low current mode as soon as the supply current of the microcontroller goes below the I<sub>CMP</sub> current threshold. At this transition, the L99PM60J also deactivates the internal watchdog.

Relay outputs and LIN Transmitter are switched off in V<sub>1</sub>-standby Mode. High side Outputs remain in the configuration programmed prior to the standby command.

A cyclic contact supply (for cyclic monitoring of external contacts) can be activated by SPI and using the Direct Drive Input (DRV).

Each wake up event sets the device into the active mode and forces the RxD/NINT pin to the low level.

*Note:* Input TxD must be at recessive (high) level and CSN must be at high level in order to achieve minimum standby current in V<sub>1</sub>-standby Mode.

#### Interrupt

The interrupt signal (linked to RxDL/NINT internally) indicates a wake-up event from V<sub>1</sub>-standby mode. In case of activity on LIN or SPI access the NINT pin is pulled low for t<sub>Interrupt</sub>

In case of V<sub>1</sub>-standby mode and ( $I_{V1} > I_{CMP}$ ), the device remains in standby mode, the V<sub>1</sub> regulator switches to high current mode and the watchdog starts. No Interrupt signal is generated.

### 2.2.4 V<sub>BAT</sub>-standby mode

The transition from Active Mode to V<sub>BAT</sub>-standby mode is initiated by an SPI command.

In V<sub>BAT</sub>-standby Mode, the voltage regulator, relay outputs and LIN transmitter are switched off. High side outputs remain in the configuration programmed prior to the standby command.

In V<sub>BAT</sub>-standby mode the current consumption of the L99PM60J is reduced to a minimum level.

*Note:* Inputs TXDL and CSN must be terminated to GND in  $V_{BAT-standby}$  to achieve minimum standby current.

This can be achieved with the internal ESD protection diodes of the microcontroller (microcontroller is not supplied in this mode;  $V_1$  is pulled to GND).

## 2.3 Wake up from standby modes

A wake-up from standby mode switches the device to active mode. This can be initiated by one or more of the following sources:

**Table 3. Wake up sources**

Wake up source	Description
LIN bus activity	Always active
$I_{V1} > I_{CMP}$	Device remains in $V_{1-standby}$ mode with watchdog enabled (If $I_{CMP} = 0$ ) and $V_1$ goes into High Current Mode (Increased Current Consumption). No interrupt is generated.
SPI Access	Always active (except in $V_{BAT-standby}$ mode) Wake up event: CSN is low and first rising edge on CLK

All wake-up events from  $V_{1-standby}$  mode (except  $I_{V1} > I_{CMP}$ ) are indicated to the microcontroller by a low-pulse at RxDL/NINT (duration:  $t_{Interrupt}$ )

Wake-up from  $V_{1-standby}$  by SPI Access might be used to check the interrupt service handler.

## 2.4 Cyclic contact supply

In  $V_{1-standby}$  mode, any high side driver output (OUT1..2) can be used to supply external contacts. Direct drive feature for high side drivers must be enabled by SPI to control the high side driver outputs by DRV/VSM/TMP pin.

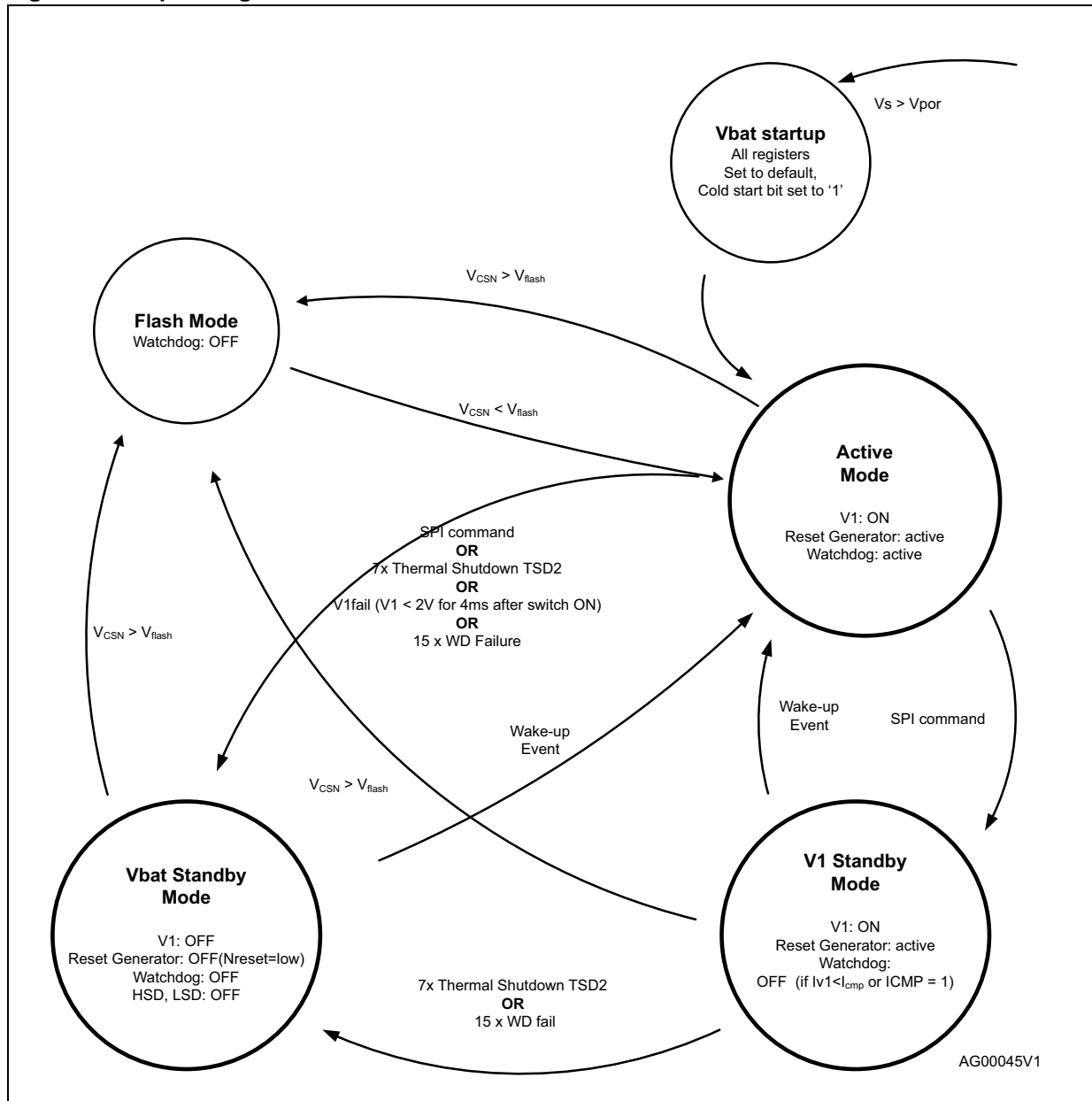
## 2.5 Functional overview (truth table)

Table 4. Functional overview (truth table)

Function	Comments	Operating Modes		
		Active mode	V <sub>1</sub> -standby static mode (cyclic sense)	V <sub>BAT</sub> -standby static mode (cyclic sense)
Voltage-regulator, V <sub>1</sub>	V <sub>OUT</sub> = 5 V	On	On <sup>(1)</sup>	Off
Reset-generator		On	On	Off
Window watchdog	V <sub>1</sub> monitor	On	Off (on: I <sub>V1</sub> > I <sub>CMP-threshold</sub> and I <sub>CMP</sub> = 0)	Off
Direct drive		On / Off <sup>(2)</sup>	On / Off <sup>(2)</sup>	Off
Relay driver		On	Off	Off
LIN	LIN 2.1	On	Off <sup>(3)</sup>	Off <sup>(3)</sup>
FSO (if configured by SPI), active by default	Fail safe output	OUT1/FSO OFF <sup>(4)</sup>	OUT1/FSO OFF <sup>(4)</sup>	OUT1/FSO OFF <sup>(4)</sup>
Oscillator		On	<sup>(5)</sup>	Off
V <sub>S</sub> -monitor		On	<sup>(6)</sup>	Off

1. Supply the processor in low current mode.
2. Selectable from SPI
3. The bus state is internally stored when going to standby mode. A change of bus state leads to a wake-up after exceeding of internal filter time
4. ON in Failsafe Condition: If Standby mode is entered with active Fail Safe mode, the output remains ON in Standby mode.
5. Activated when direct drive feature is enabled from SPI and DRV/VSM/TMP pin is high.
6. ON when OUT1/2 are activated during direct drive

Figure 4. Operating modes – main states



## 2.6 Window – watchdog

During normal operation, the watchdog monitors the micro controller within a  $t_{SW}$  trigger cycle

In  $V_{BAT}$ -standby and Flash program modes, the watchdog circuit is automatically disabled. After wake-up, the watchdog starts with a long open window. After serving the watchdog, the microcontroller may send the device back to  $V_{1}$ -standby mode

After power-on or standby mode, the watchdog is started with a long open window  $t_{LW}$ . The long open window allows the micro controller to run its own setup and then to trigger the

watchdog via the SPI. The trigger is finally accepted when the CSN input becomes HIGH after the transmission of the SPI word.

Writing '1' to the watchdog trigger bit terminates the long open window and start the window watchdog. Subsequently, the micro controller has to serve the watchdog by alternating the watchdog trigger bit within the safe trigger area (refer to watchdog chapter). A correct watchdog trigger signal immediately starts the next cycle.

After 8 watchdog failures in sequence, the  $V_1$  regulator is switched off for  $t_{V1Off}$ . If subsequently, 7 additional watchdog failures occur, the  $V_1$  regulator is completely turned off and the device goes into  $V_{BAT-standby}$  mode until a walk-up occurs.

In case of a Watchdog failure, the outputs (RELx, OUTx) are switched off and the device enters fail safe mode (i. e. all control registers are set to default values, except OUT1 when not used as FSO.)

The following diagrams illustrate the Watchdog behavior of the L99PM60J. The diagrams are split into 3 parts. First diagram shows the functional behavior of the watchdog without any error. The second diagram covers the behavior covering all the error conditions, which can affect the watchdog behavior. Third diagram shows the transition in and out of FLASH mode. All three diagrams can be overlapped to get all the possible state transitions under all circumstances. For a better readability, those transitions have been split in normal operating, operating with errors and flash mode.

Figure 5. Watchdog in normal operating mode (no errors)

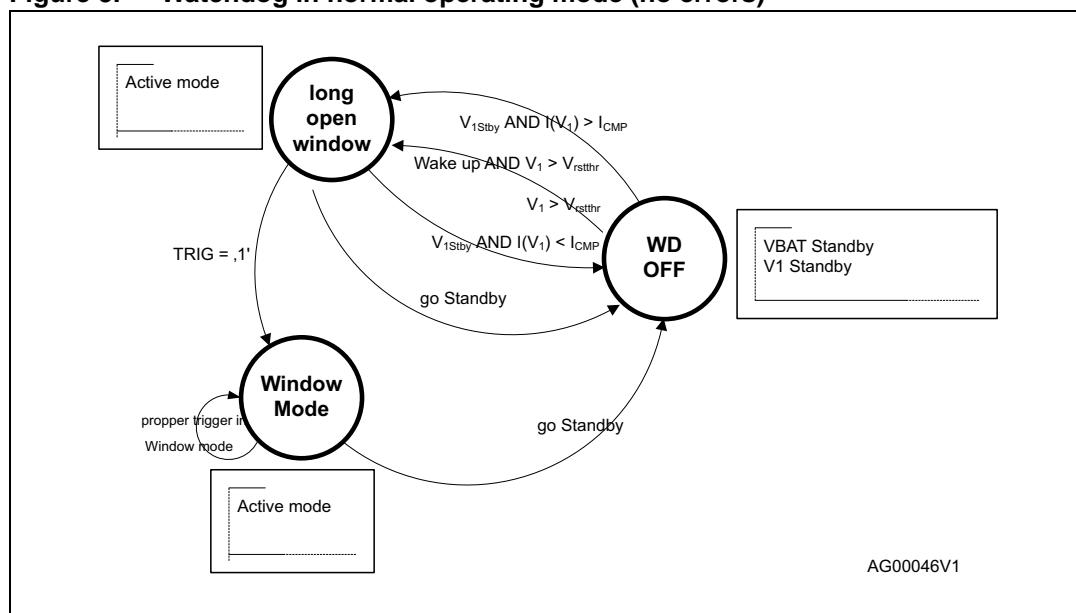




Figure 6. Watchdog with error conditions

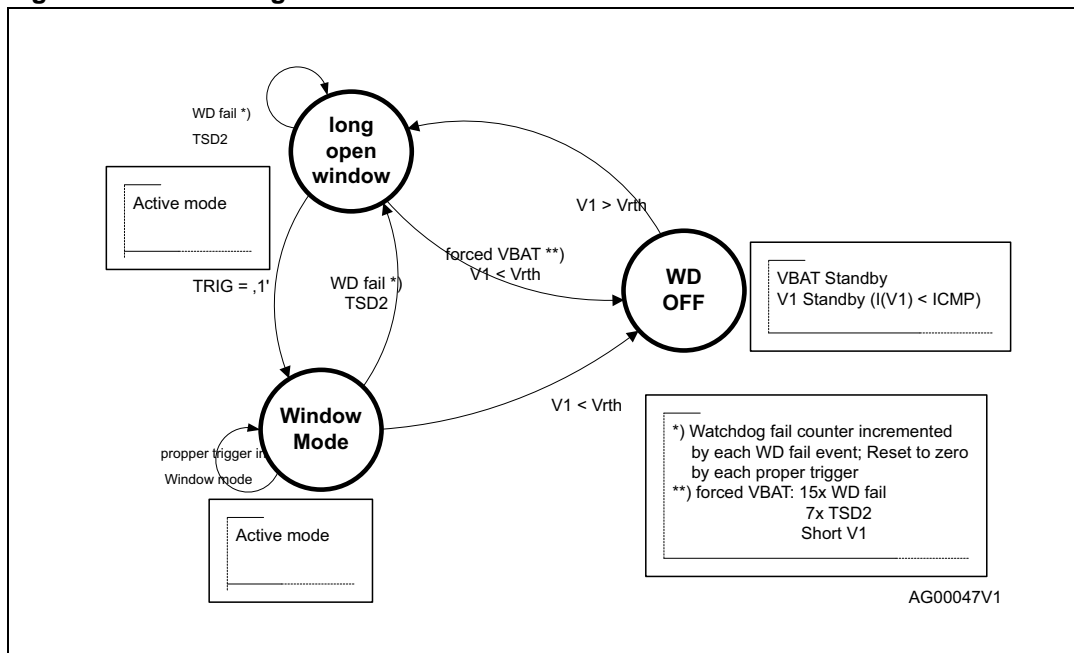
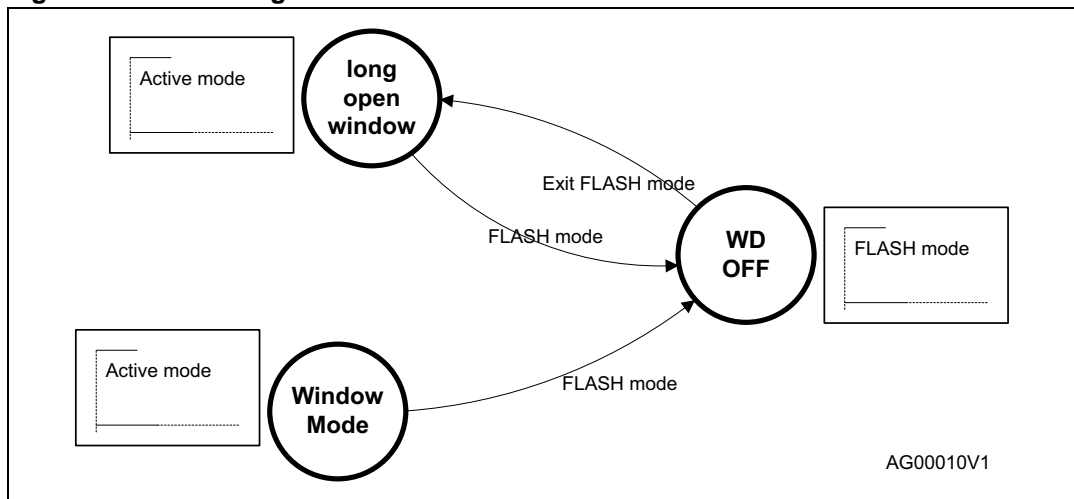


Figure 7. Watchdog in FLASH Mode



## 2.7 Fail Safe mode

### 2.7.1 Temporary failures

L99PM60J enters Fail Safe mode in case of:

- Watchdog failure
- $V_1$  turn on failure
  - $V_1$  short ( $V_1 < V_{1fail}$  for  $t > t_{v1short}$ )
- $V_1$  undervoltage ( $V_1 < V_{rth}$  for  $t > t_{UV1}$ )
  - Fail Safe Mode only entered if  $V_S > V_{SUV}$
- Thermal Shutdown TSD2
- SPI failure
  - DI stuck to GND or  $V_{CC}$  (SPI frame = '00 00' or 'FF FF')

The Fail Safe functionality is also available in  $V_{1-standby}$  Mode. During  $V_{1-standby}$  Mode the Fails Safe Mode is entered in the following cases:

- $V_1$  undervoltage ( $V_1 < V_{RTH}$  for  $t > t_{V1FS}$ )
  - Fail Safe Mode only entered if  $V_S > V_{SUV}$
- Watchdog failure (if watchdog still running due to  $I_{V1} > I_{CMP}$ )
- Thermal Shutdown TSD2

In Fail Safe Mode the L99PM60J returns to a default state with all outputs turned off. The Fail Safe condition is indicated to the remaining system. The conditions during Fails Safe Mode are:

- All outputs are turned off
- All Control Registers are set to default values (except OUT1/FSO configuration). Write operations to Control Registers are blocked until the Fail Safe condition is cleared
- LIN Transmitter and SPI remains on
- Corresponding Failure Bits in Status Registers are set.
- FSO Bit (Bit 0 Global Status Register) is set
- OUT1/FSO is activated if configured as Fail Safe Output

OUT1 is configured as Fail Safe Output unless it is disabled by SPI.

If the Fail Safe Mode was entered it keeps active until the Fail safe condition is removed and the Fail Safe was read by SPI. Depending on the root cause of the Fail Safe, the actions to quit Fail safe Mode can be different.

**Table 5. Fail safe conditions and exit modes**

Failure source	Failure condition	Diagnosis	Exit from Fail Safe Mode
$\mu\text{C}$ (oscillator)	Watchdog, early write failure or expired window	Failsafe = 1; WDfail = n + 1	Propper trigger in Window mode and read fail safe bit
$V_1$	Short at turn-on	Failsafe = 1; forced sleep TSD2/SHTV1 = 1	Read&Clear SR3 after wake
	$V_1 < V_{rth}$ for $t > t_{FSO}$ (Failsafe mode only entered when $V_S > V_{SUV}$ )	Failsafe = 1; $V_{1fail} = 1^{(1)}$	$V_1 > V_{rth}$ Read Failsafe bit
Temperature	$T_j > TSD2$	Failsafe = 1; TW = 1; TSD1 = 1; TSD2 = 1	$T_j < TSD2$ Read&Clear SR4
SPI	DI short to GND or $V_{CC}$	Failsafe = 1	Valid SPI command

1. if  $V_1 < V_{1fail}$  (for  $t > t_{v1fail}$ )  
The failsafe bit is located in the Global Status Register (Bit 0)

## 2.7.2 Nonrecoverable failures – entering forced $V_{BAT}$ -standby mode

If the failsafe condition persists and all attempts to return to normal system operation fail, the L99PM60J enters the *Forced Vbatstby Mode* in order to prevent damage to the system. The *Forced Vbatstby Mode* can be terminated by any regular wake-up event. The root cause of the *Forced Vbatstby* is indicated in the SPI Status Registers

The *Forced Vbatstby Mode* is entered in case of:

- Multiple Watchdog Failures: Forced Sleep WD = 1 (15x watchdog failure)
- Multiple Thermal Shutdown 2: Forced Sleep TSD2/SHTV1 = 1 (7x TSD2)
- $V_1$  short at turn-on: Forced Sleep TSD2/SHTV1 = 1 ( $V_1 < V_{1fail}$  for  $t > t_{v1short}$ )

**Table 6. Failures management**

Failure Source	Failure Condition	Diagnosis	Exit from Failsafe Mode
$\mu\text{C}$ (Oscillator)	15 consecutive Watchdog Failures	Failsafe=1 ForcedSleepWD =1	Wake-up TRIG=1 during LOWi Read & Clear SR3
$V_1$	short at turn-on	Failsafe=1 ForcedSleepTSD2/SHTV1=1	Read&Clear SR3 after wake-up
Temperature	7 times TSD2	Failsafe=1 TW=1 TSD1=1 TSD2=1 ForcedSleepTSD2/SHTV1=1	Read&Clear SR4 after wake-up Read&Clear SR3 after wake-up

Figure 8. Recovery after forced VBAT due to multiple watchdog failure

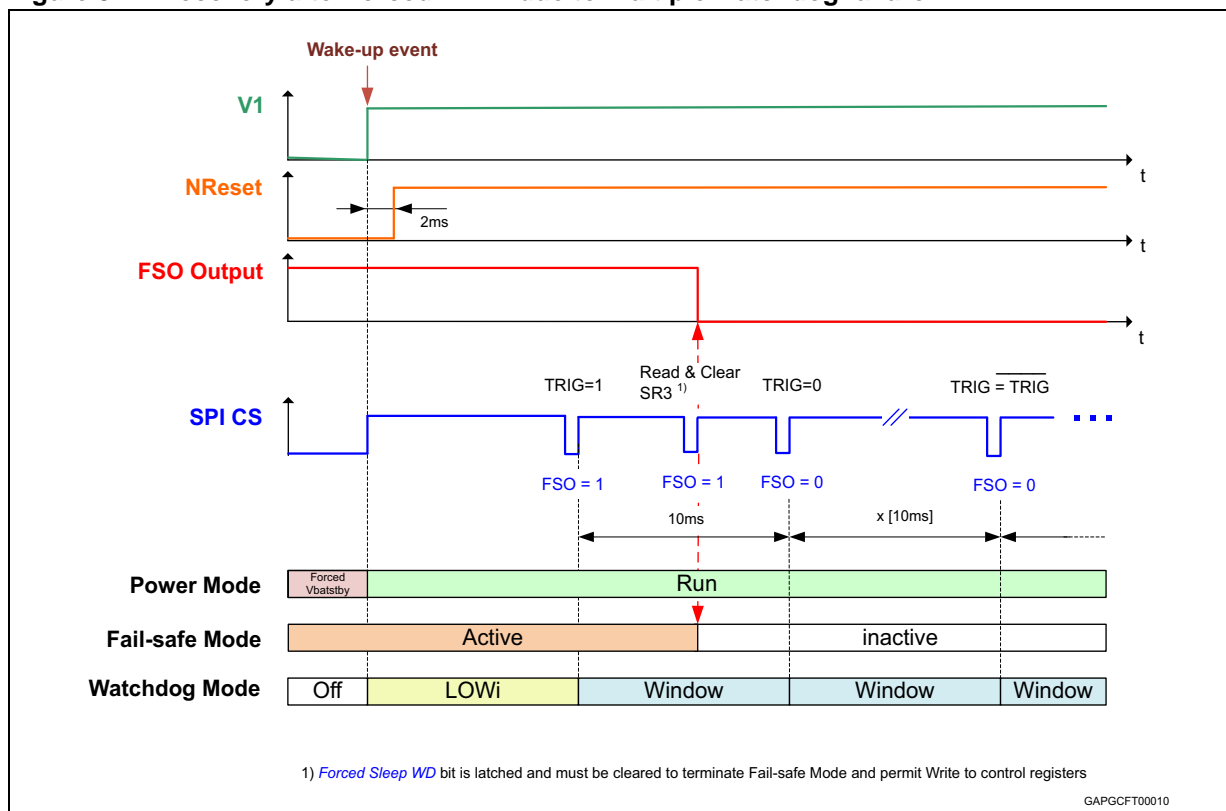


Figure 9. Recovery after forced VBAT due to multiple TSD2 failure

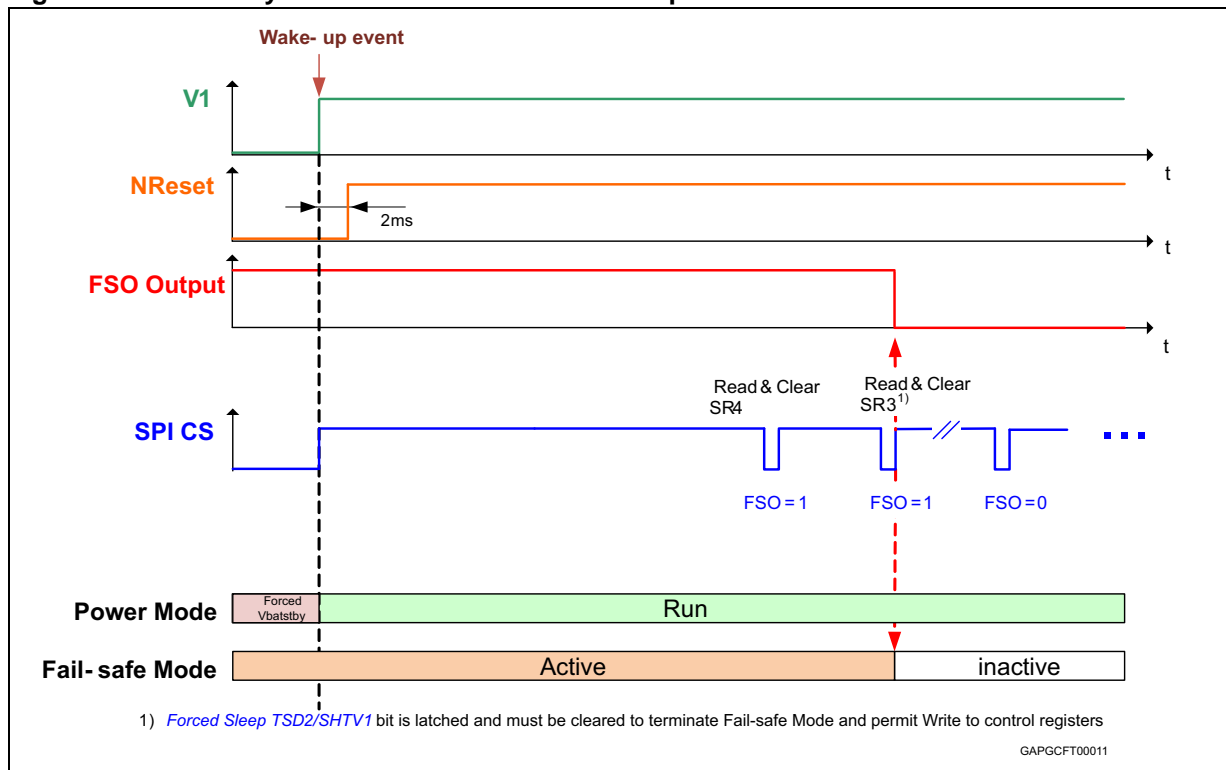
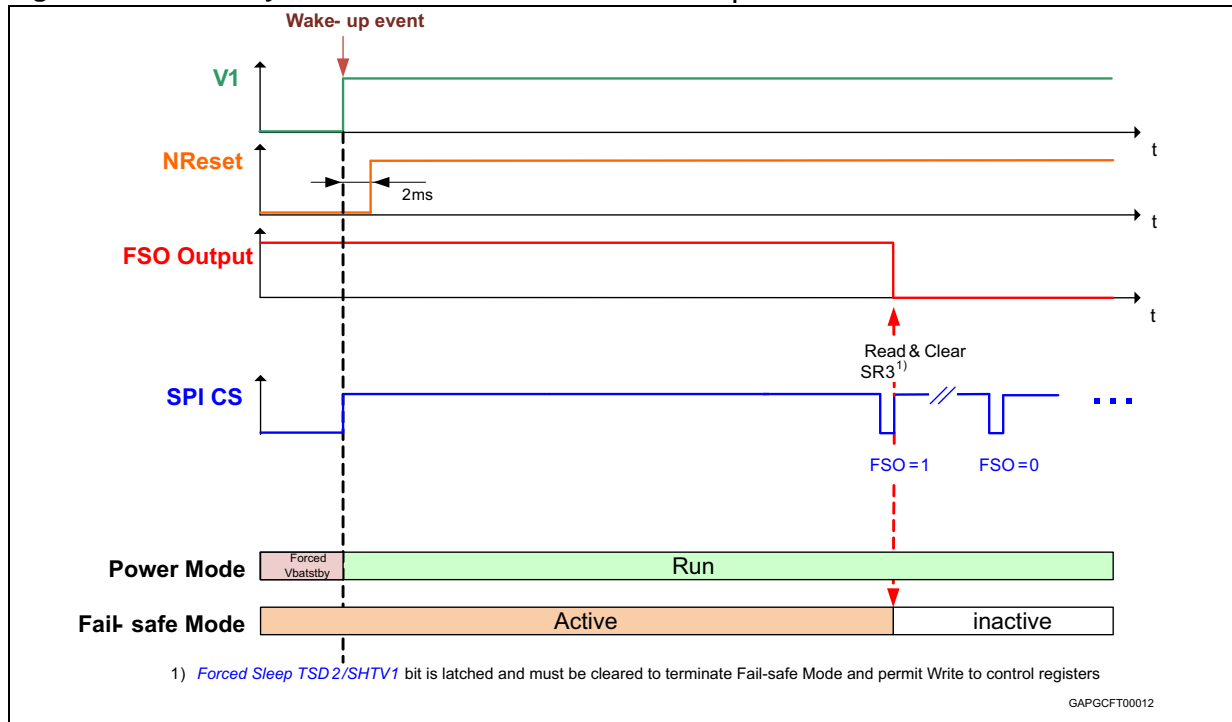


Figure 10. Recovery after forced VBAT due to short at  $V_1$  failure

### 2.7.3 Fail Safe Output (OUT1)

The device provides a high side output (OUT1) which can be used as Failsafe output. The default configuration after power on for OUT1 is Failsafe output.

The Failsafe output is protected against

- Overvoltage and undervoltage (undervoltage can be masked by SPI for OUT1). See [Control Register 2](#).
- Overcurrent

In case of overcurrent condition, FSO switches off. The according status bit is latched and can be read and optionally cleared by SPI. The drivers remain off until the status is cleared.

In case overvoltage or undervoltage condition, FSO is switched off. The according status bit is latched and can be read and optionally cleared by SPI. The drivers remain off until the status is cleared.

With the OUT UV shutdown enable bit (Control Register 2) the FSO can be excluded from a switch off in case of  $V_s$  Undervoltage. If the bit is set to '1' the driver switches off, otherwise the drivers remain on.

In case of open-load condition, the according status register is latched. The status can be read and optionally cleared by SPI. The FSO is not switch off.

*Note:* The maximum voltage and current applied to the High Side Outputs is specified in chapter 4 'Absolute Maximum Ratings'. Appropriate external protection may be required in order to respect these limits under application conditions.

## 2.8 Reset output (NRESET)

If  $V_1$  is turned on and the voltage exceeds the  $V_1$  reset threshold, the reset output "NRESET" is pulled up by internal pull up resistor to  $V_1$  voltage after a reset delay time  $t_{Reset}$ . This is necessary for a defined start of the micro controller when the application is switched on. Since the NRESET output is realized as an open drain output it is also possible to connect an external NRESET open drain NRESET source to the output. It must be considered that as soon the NRESET is released from the L99PM60J the watchdog timing starts.

A reset pulse  $t_{Reset}$  is generated in case of:

- $V_1$  drops below  $V_{rth}$  (configurable by SPI) for more than  $V_{1UFT}$
- Watchdog failure

## 2.9 LIN bus interface

General features:

- Speed communication up to 20kbit/s.
- LIN 2.1 compliant (SAE J2602 compatible) transceiver.
- Function range from +40V to -18V DC at LIN Pin.
- GND disconnection fail safe at module level.
- Off mode: does not disturb network.
- GND shift operation at system level.
- Micro controller Interface with CMOS compatible I/O pins.
- ESD and transient immunity according to ISO7637 and EN / IEC61000-4-2
- Matched output slopes and propagation delay

In order to further reduce the current consumption in standby mode, the integrated LIN bus interface offers an ultra low current consumption.

### 2.9.1 Error handling

The L99PM60J provides the following 3 error handling features which are not described in the LIN Spec. Revision 2.1, but are realized in different stand alone LIN transceivers / micro controllers to switch the application back to normal operation mode.

At  $V_s > V_{por}$  (i.e.  $V_s$  power-on reset threshold), the LIN transceiver is enabled.

The LIN transmitter is disabled in case of the following errors:

- Dominant TxDL time out
- LIN permanent recessive
- Thermal shutdown 1
- $V_S$  overvoltage /  $V_S$  undervoltage

The LIN receiver is not disabled in case of any failure condition.

#### Dominant TxD time out

If TXD is in dominant state (low) for more than  $t_{dom(TXDL)}$ (typ) the transmitter is disabled. The status bit is latched and can be read and optionally cleared by SPI. The transmitter remains disabled until the status register is cleared. This feature can be disabled via SPI.

### Permanent recessive

If TXD changes to dominant (low) state but RXD signal does not follow within  $t_{LIN}$ , the transmitter is disabled. The Status bit is latched and can be read and optionally cleared by SPI. The transmitter remains disabled until the status register is cleared.

### Permanent dominant

If the bus state is dominant (low) for more than  $t_{dom(TXDL)}$  (typ.) a permanent dominant status is detected. The Status bit is latched and can be read and optionally cleared by SPI. The transmitter is not switched off

## 2.9.2 Wake up (from LIN)

In standby mode the L99PM60J can receive a wake up from LIN bus. For the wake up feature the L99PM60J logic differentiates two different conditions.

### Normal wake up

Normal wake up can occur when the LIN transceiver was set in standby mode while LIN was in recessive (high) state. A dominant level at LIN for  $t > t_{inbus}$ , switches the L99PM60J to active mode. An interrupt is generated at the RXD/NINT pin.

### Wake up from short to GND condition

If the LIN transceiver was set in standby mode while LIN was in dominant (low) state, recessive level at LIN for  $t_{inbus}$ , switches the L99PM60J to active mode. An interrupt is generated at the RXD/NINT pin.

*Note: A wake up caused by a message on the bus starts the voltage regulator and the microcontroller to switch the application back to normal operation mode.*

## 2.10 Serial Peripheral Interface (ST SPI Standard)

A 16 bit SPI is used for bi-directional communication with the micro controller.

During active mode, the SPI

- triggers the watchdog
- controls the modes and status of all L99PM60J modules (incl. input and output drivers)
- provides driver output diagnostic
- provide L99PM60J diagnostic (incl. overtemperature warning, L99PM60J operation status)

The SPI can be driven by a micro controller with its SPI peripheral running in following mode:

CPOL = 0 and CPHA = 0.

For this mode input data is sampled by the low to high transition of the clock CLK, and output data is changed from the high to low transition of CLK.

This device is not limited to micro controller with a built-in SPI. Only three CMOS-compatible output pins and one input pin are needed to communicate with the device. A fault condition can be detected by setting CSN to low. If CSN = 0, the DO-pin reflects the global error flag (fault condition) of the device.

### Chip Select Not (CSN)

The input pin is used to select the serial interface of this device. When CSN is high, the output pin (DO) is in high impedance state. A low signal activates the output driver and a serial communication can be started. The state during CSN = 0 is called a communication frame.

### Serial Data In (DI)

The input pin is used to transfer data serial into the device. The data applied to the DI is sampled at the rising edge of the CLK signal and shifted into an internal 16 bit shift register. At the rising edge of the CSN signal the contents of the shift register is transferred to Data Input Register. The writing to the selected Data Input Register is only enabled if exactly 16 bits are transmitted within one communication frame (i.e. CSN low). If more or less clock pulses are counted within one frame the complete frame is ignored. This safety function is implemented to avoid an activation of the output stages by a wrong communication frame.

*Note: Due to this safety functionality a daisy chaining of SPI is not possible. Instead, a parallel operation of the SPI bus by controlling the CSN signal of the connected IC's is recommended.*

### Serial Data Out (DO)

The data output driver is activated by a logical low level at the CSN input and goes from high impedance to a low or high level depending on the global error flag (fault condition). The first rising edge of the CLK input after a high to low transition of the CSN pin transfers the content of the selected status register into the data out shift register. Each subsequent falling edge of the CLK shifts the next bit out.

### Serial Clock (CLK)

The CLK input is used to synchronize the input and output serial bit streams. The data input (DI) is sampled at the rising edge of the CLK and the data output (DO) changes with the falling edge of the CLK signal. The SPI can be driven with a CLK Frequency up to  $f_{CLK}$ .



## 3 Protection and diagnosis

### 3.1 High side driver outputs

The device provides a total of 2 high side outputs Out1,2, (7  $\Omega$  typ. at @ 25C) to drive e.g. LED's or hall sensors

The high side outputs are protected against

- Overvoltage and undervoltage (undervoltage can be masked by SPI for OUT1).  
See [Section : Control Register 2](#)
- Overcurrent
- Overtemperature<sup>(a)</sup>

In case of overcurrent or overtemperature (TSD1) condition, the drivers switches off. The according status bit is latched and can be read and optionally cleared by SPI. The drivers remain off until the status is cleared.

In case overvoltage/undervoltage condition, the drivers is switched off. The according status bit is latched and can be read and optionally cleared by SPI. The drivers remain off until the status is cleared. The driver can be excluded from undervoltage shutdown.

With the OUT UV shutdown enable bit (Control Register 2) the drivers can be excluded from a switch off in case of Vs undervoltage. If the bit is set to '1' the driver switches off, otherwise the drivers remain on.

In case of open-load condition, the according status register is latched. The status can be read and optionally cleared by SPI. The High sides is not switch off.

In case of a fail safe condition, the high side drivers are switched off. The control bits are set to default values. (Except OUT1/FSO if it is used as a High-side Output)

*Note: The maximum voltage and current applied to the High Side Outputs is specified in chapter 4 'Absolute Maximum Ratings'. Appropriate external protection may be required in order to respect these limits under application conditions.*

#### 3.1.1 OUT1 reprogramming

To change the setting for OUT1 from FSO (default) to normal output configuration (ON/OFF or Direct Drive) a SPI safety sequence is required. First write command with a specific pattern to CONF Register needs to be provided in order to enable the write access for configuration bits of OUT1. With an SPI write command to Control Register 1 the bits for OUT1 can be modified.

The write command to Control Register 1 must follow the write command to the CONF Register (no other SPI command in between these 2 commands)

Safety Sequence:

1. Write to Conf Register (0x0011 1111; 1010 101x)  
x: don't care for unlocking sequence but according to description of watchdog timing
2. Write to Ctrl Register 1 (0x0000 0001; xxxx xxxx)  
x: values according to description of Ctrl Reg1

---

a. Except OUT1 when configured as FSO

## 3.2 Low side driver outputs REL1, REL2

The outputs REL1, REL2 ( $R_{DSon} = 2 \Omega$  typ. at 25 °C) are specially designed to drive relay loads.

Typical relays used have the following characteristics:

Relay type 1: ON-state:  $R = 160 \Omega$  typical  $\pm 10\%$ ,  $L = 300$  mH: Off-state: 240 mH

Relay type 2: ON-state:  $R = 220 \Omega$  typical  $\pm 10\%$ ,  $L = 420$  mH: Off-state: 330 mH

The outputs provide an active output Zener clamping (44 V typ) feature for the demagnetisation of the relay coil, even though a load dump condition exists.

The low side drivers switch off in case of:

- $V_S$  overvoltage and undervoltage (can be masked by SPI) Control Register 2, Bit0
- Overcurrent
- Overtemperature

In case of overload or overtemperature (TSD1) condition, the drivers switches off. The according status bit is latched and can be read and optionally cleared by SPI. The drivers remain off until the status is cleared.

In case  $V_S$  overvoltage and undervoltage condition, the drivers is switched off. The according status bit is latched and can be read and optionally cleared by SPI. The drivers remain off until the status is cleared.

With the LS OVUV shutdown enable bit (Control Register 2) the drivers can be excluded from a switch off in case of overvoltage and undervoltage. If the bit is set to '1' the driver switches off, otherwise the drivers remain on.

## 3.3 SPI diagnosis

Digital diagnosis features are provided by SPI (for details please refer to [Section 7.2: SPI registers](#))

- $V_1$  reset threshold programmable
- Overtemperature including pre warning
- Open-load separately for each OUT1,2
- Overload status separately for each output stage
- $V_{S-supply}$  overvoltage/undervoltage
- $V_1$ -fail bit
- $V_1$  undervoltage
- Chip Reset bit (start from power-on reset)
- Number of unsuccessful  $V_1$  restarts after thermal shutdown
- Number of sequential watchdog failures
- LIN diagnosis (permanent recessive/dominant, dominant TxD)
- Device state (wake-up from  $V_1$ stby or  $V_{bat}$ stby)
- Forced  $V_{bat}$ stby after WD-fail, forced  $V_{bat}$ stby after overtemperature
- Watchdog timer state (diagnosis of watchdog)
- Failsafe status
- SPI communication error

## 4 Power supply fail

Overvoltage and undervoltage detection on  $V_S$

### 4.1 $V_S$ overvoltage

If the supply voltage  $V_S$  reaches the overvoltage threshold ( $V_{SOV}$ )

- The outputs OUT1,2, REL1,2 and LIN are switched to high impedance state (load protection).
- The overvoltage bit is set and can be cleared with a 'Read and Clear' command.
- Outputs REL1,2 can be excluded from a shutdown in case of overvoltage by SPI

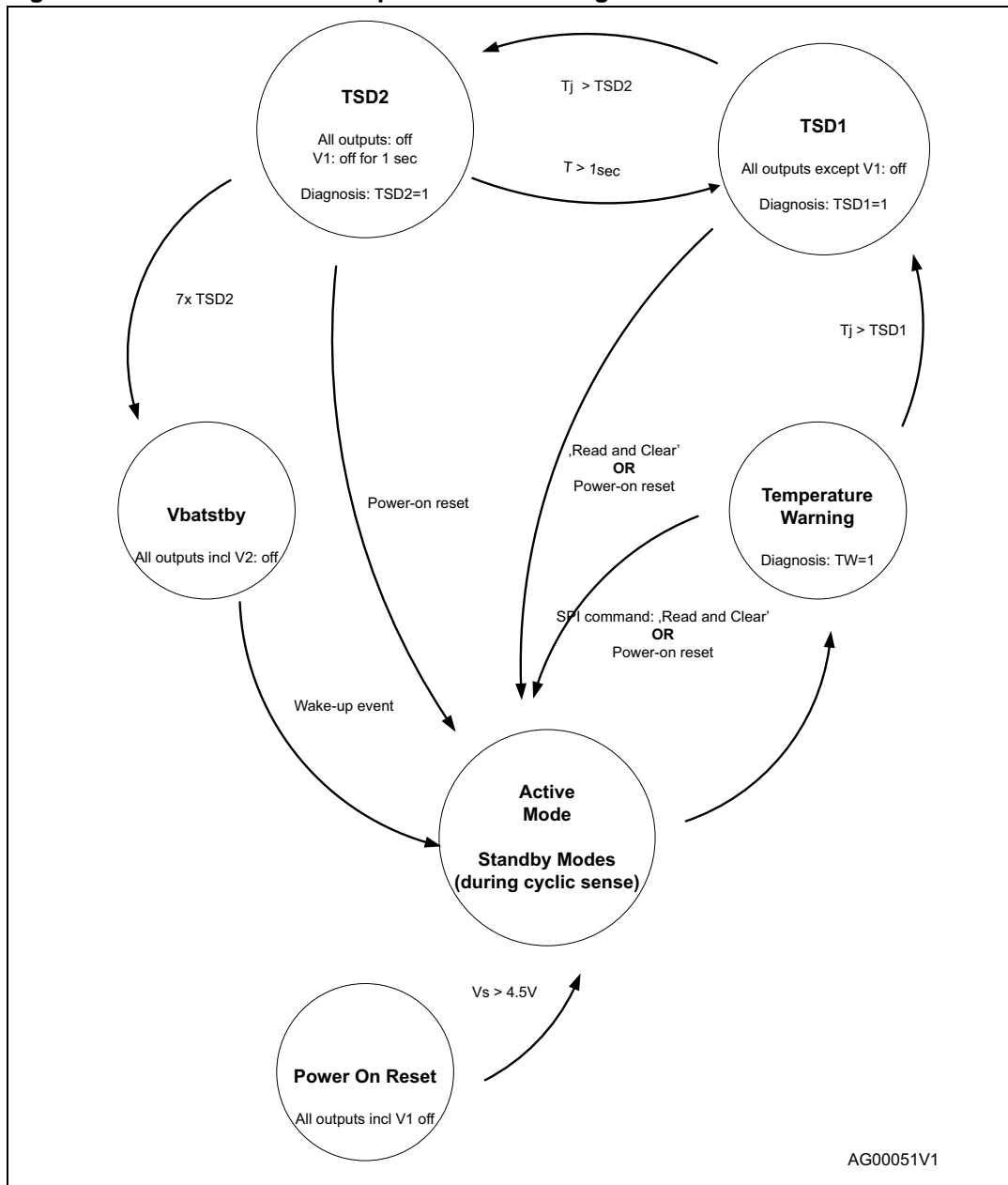
### 4.2 $V_S$ undervoltage

If the supply voltage  $V_S$  drops below the undervoltage threshold voltage ( $V_{SUV}$ )

- The outputs OUT1,2, REL1,2, LIN are switched to high impedance state.
- The undervoltage bit is set and can be cleared with the 'Read and Clear' command.
- Outputs REL1,2 can be excluded from a shutdown in case of undervoltage by SPI
- Output OUT1,2 can be excluded from a shutdown in case of undervoltage by SPI

### 4.3 Temperature warning and thermal shutdown

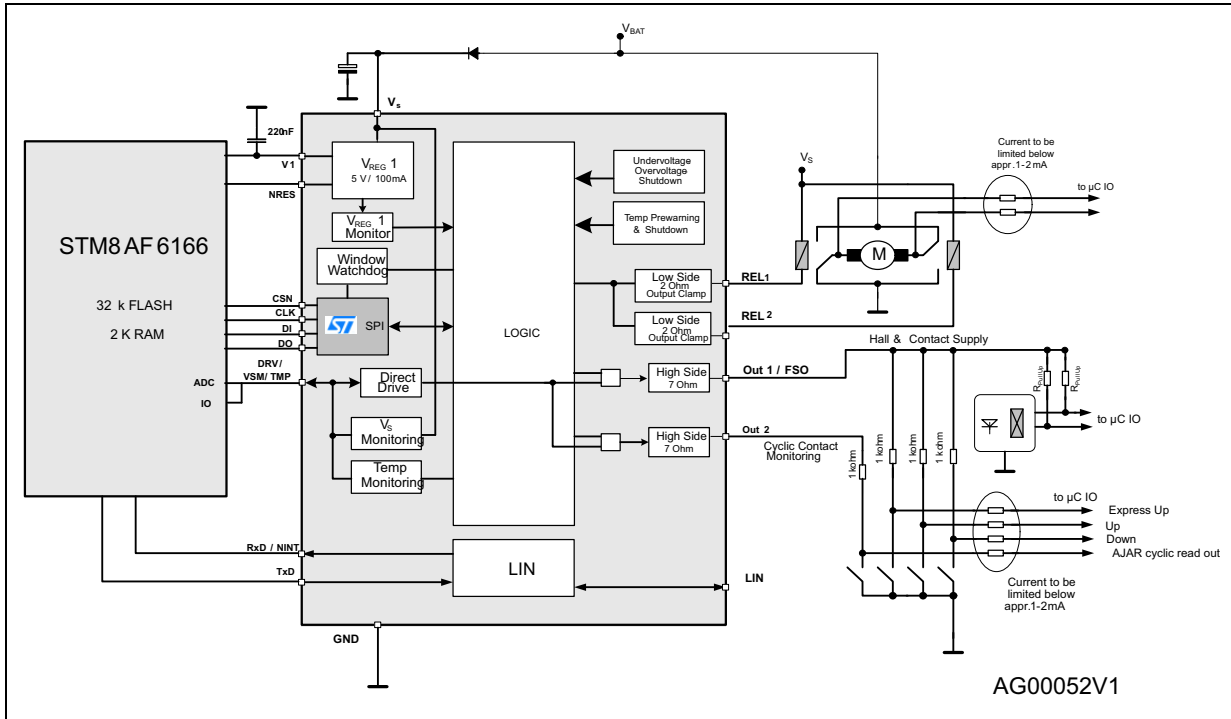
Figure 11. Thermal shutdown protection and diagnosis



Note: With the first transition into the TSD2 state failsafe mode is entered. The Thermal State machine recovers the same state were it was before entering Standby Mode. In case of a TSD2 it enters TSD1 state.

# 5 Typical application

Figure 12. Typical application diagram



## 6 Electrical specifications

### 6.1 Absolute maximum ratings

Table 7. Absolute maximum rating

Symbol	Parameter / test condition	Value [DC voltage]	Unit
$V_S$	DC supply voltage / "jump start"	-0.3 to +28	V
	Load dump	-0.3 to +40	V
$V_1$	Stabilized supply voltage, logic supply	-0.3 to +5.25	V
$V_{DI}$ $V_{CLK}$ $V_{TXD}$ $V_{DO}$ $V_{RXD}$ $V_{NRESET}$ $V_{DRV}$	Logic input / output voltage range	-0.3 to $V_1 + 0.3$	V
$V_{CSN}$	Multi Level Input	-0.3 to $V_S + 0.3$	V
$V_{REL1}$ $V_{REL2}$	Low-side output voltage range	-0.3 to +40	V
$V_{OUT1..2}$	High-side output voltage range	-0.3 to $V_S + 0.3$	V
$I_{In\_put}$	Current injection into $V_S$ related input pins	10	mA
$I_{out\_inj}$	Current injection into $V_S$ related outputs	10	mA
$V_{LIN}$	LIN bus I/O voltage range	-20 to +40	V

Note: All maximum ratings are absolute ratings. Leaving the limitation of any of these values may cause an irreversible damage of the integrated circuit!

Loss of ground or ground shift with externally grounded loads: ESD structures are configured for nominal currents only. If external loads are connected to different grounds, the current load must be limited to this nominal current.

### 6.2 ESD protection

Table 8. ESD protection

Parameter	Value	Unit
All pins <sup>(1)</sup>	+/-2	kV
All output pins <sup>(2)</sup>	+/-4	kV
LIN	+/-8 <sup>(2)</sup> +/-10 <sup>(3)</sup> +/-7 <sup>(4)</sup>	kV
All pins <sup>(5)</sup>	+/-500	V

**Table 8. ESD protection (continued)**

Parameter	Value	Unit
Corner pins <sup>(5)</sup>	+/-750	V
All pins <sup>(6)</sup>	+/-200	V

1. HBM (human body model, 100pF, 1.5 kΩ) according to MIL 883C, Method 3015.7 or EIA/JESD22A114-A
2. HBM with all none zapped pins grounded.
3. Indirect ESD Test according to IEC 61000-4-2 (150 pF, 330 Ω) and 'Hardware Requirements for LIN and Flexray Interfaces in Automotive Applications' (version 1.1, 2009-12-02)
4. Direct ESD Test according to IEC 61000-4-2 (150 pF, 330 Ω) and 'Hardware Requirements for LIN and Flexray Interfaces in Automotive Applications' (version 1.1, 2009-12-02); C<sub>bus,LIN</sub> = 220 pF
5. Charged device model
6. Machine model: C = 200 pF; R = 0 Ω

## 6.3 Thermal data

**Table 9. Operating junction temperature**

Symbol	Parameter	Value	Unit
T <sub>j</sub>	Operating junction temperature	-40 to 150	°C
R <sub>thjA</sub>	Thermal resistance junction / ambient	See <a href="#">Figure 26</a>	°K/W

**Table 10. Temperature warning and thermal shutdown**

Symbol	Parameter	Min.	Typ.	Max.	Unit	
T <sub>W ON</sub>	Thermal overtemperature warning threshold	T <sub>j</sub> <sup>(1)</sup>	120	130	140	°C
T <sub>SD1 OFF</sub>	Thermal shutdown junction temperature 1	T <sub>j</sub> <sup>(1)</sup>	130	140	150	°C
T <sub>SD2 OFF</sub>	Thermal shutdown junction temperature 2	T <sub>j</sub> <sup>(1)</sup>	150	160	170	°C
T <sub>SD2 ON</sub>		Hysteresis		5		°C
T <sub>SD12hys</sub>						

1. Non-overlapping

## 6.4 Electrical characteristics

### 6.4.1 Supply and supply monitoring

The voltages are referred to ground and currents are assumed positive, when the current flows into the pin.

$6\text{ V} \leq V_S \leq 18\text{V}$ ;  $4.8\text{ V} \leq V_1 \leq 5.2\text{ V}$ ; all outputs open;  $T_j = -40\text{ }^\circ\text{C}$  to  $130\text{ }^\circ\text{C}$ , unless otherwise specified.

**Table 11. Supply and supply monitoring**

Symbol	Parameter	Test condition	Min.	Typ.	Max.	Unit
$V_{S\text{Absmin}}^{(1)}$	$V_S$ absolute minimum value for controlling $V_1$ and NReset outputs	$V_S$ increasing / decreasing	—	2.5	—	V
$V_S$	Supply voltage range		6	13.5	18	V
$V_{\text{SUUV}}$	VS UV-threshold voltage	$V_S$ increasing / decreasing	5.11		5.81	V
$V_{\text{hyst\_UV}}$	Undervoltage hysteresis		0.04	0.1	0.15	V
$V_{\text{SOV}}$	VS OV-threshold voltage	$V_S$ increasing / decreasing	18		22	V
$V_{\text{hyst\_OV}}$	Overvoltage hysteresis	Hysteresis	0.5	1	1.5	V
$I_{V(\text{act})}$	Current consumption in active mode	$V_S = 12\text{ V}$ ; TxD LIN high; $V_1 = 5\text{ V}$ ; HS/LS drivers OFF; $V_{\text{LIN}} > (V_S - 1.5\text{ V})$		6	12	mA
$I_{V(\text{BAT})}$	Current consumption in $V_{\text{BAT}}$ -standby mode	$V_S = 12\text{ V}$ ; $V_1 = \text{OFF}$ ; $V_{\text{LIN}} > (V_S - 1.5\text{ V})$	1	7	16	$\mu\text{A}$
$I_{V(V_1)}$	Current consumption in $V_1$ -standby mode	$V_S = 12\text{ V}$ ; $V_1 = 5\text{ V}$ ; HS/LS drivers OFF; $V_{\text{LIN}} > (V_S - 1.5\text{ V})$ ; $I_{V_1} < I_{\text{CMP\_Fail}}$	10	48	70	$\mu\text{A}$
$I_{V(V_1)\text{CS}}$	Current consumption in $V_1$ -standby during direct drive	$V_S = 12\text{ V}$ ; $V_1 = 5\text{ V}$ ; LS drivers OFF; $V_{\text{LIN}} > (V_S - 1.5\text{ V})$ ; $I_{V_1} < I_{\text{CMP\_Fail}}$ $45\mu\text{A} + \frac{t_{\text{on}}}{t_{\text{period}}} \cdot 1750\mu\text{A}$ at $t_{\text{on}} = 200\ \mu\text{s}$ ; $t_{\text{period}} = 50\ \text{ms}$	50	55	60	$\mu\text{A}$

1. For  $V_S > V_{S\text{Absmin}}$  the  $V_1$  and NRESET output are actively driven.  
 $V_S < V_{S\text{Absmin}}$  the  $V_1$  output is connected to ground by passive pull down resistor of  $1\text{M}\Omega$ .

### 6.4.2 Oscillator

The voltages are referred to ground and currents are assumed positive, when the current flows into the pin.  $4.5\text{ V} \leq V_S \leq 28\text{ V}$ ; all outputs open;  $T_j = -40\text{ }^\circ\text{C}$  to  $130\text{ }^\circ\text{C}$ , unless otherwise specified.



Table 12. Oscillator

Symbol	Parameter	Test condition	Min.	Typ.	Max.	Unit
F <sub>CLK</sub>	Oscillation frequency		0.808	1.0	1.35	MHz

### 6.4.3 Power-on reset (V<sub>S</sub>)

All outputs open; T<sub>j</sub> = -40 °C to 130 °C, unless otherwise specified.

Table 13. Power-on reset (V<sub>S</sub>)

Symbol	Parameter	Test condition	Min.	Typ.	Max.	Unit
V <sub>POR</sub>	V <sub>POR</sub> threshold	(V <sub>S</sub> increasing)		3.45	4.5	V
V <sub>POR</sub>	V <sub>POR</sub> threshold	(V <sub>S</sub> decreasing) <sup>(1)</sup>	2.2	2.6	3.5	V

1. This threshold is valid if V<sub>S</sub> had already reached 7V previously

### 6.4.4 Voltage regulator V<sub>1</sub>

The voltages are referred to ground and currents are assumed positive, when the current flows into the pin. 6 V ≤ V<sub>S</sub> ≤ 28 V; T<sub>j</sub> = -40 °C to 130 °C, unless otherwise specified.

Table 14. Voltage regulator V<sub>1</sub>

Symbol	Parameter	Test condition	Min.	Typ.	Max.	Unit
V <sub>1</sub>	Output voltage			5.0		V
V <sub>1</sub>	Output voltage tolerance Active mode	I <sub>LOAD</sub> = 6 mA... 50 mA, V <sub>S</sub> = 13.5 V			+/-2	%
V <sub>hc1</sub>	Output voltage tolerance active mode, high current	I <sub>LOAD</sub> = 50 mA... 100 mA, V <sub>S</sub> = 13.5 V			+/-2.5	%
V <sub>STB1</sub>	Output voltage tolerance V <sub>1-standby</sub> mode	I <sub>LOAD</sub> = 0uA...5mA V <sub>S</sub> = 13.5V	-2		+4.5	%
V <sub>DP1</sub>	Drop-out voltage	I <sub>LOAD</sub> = 50 mA; V <sub>S</sub> = 4.5 V		0.2	0.4	V
		I <sub>LOAD</sub> = 100 mA; V = 4.5 V		0.3	0.5	V
ICC1	Output current in active mode	Max. continuous load current			100	mA
ICC <sub>max1</sub>	Short circuit output current	Current limitation	400	600	950	mA
C <sub>load1</sub>	Load capacitor1	Ceramic	0.22			μF
t <sub>TSD</sub>	V <sub>1</sub> deactivation time after thermal shutdown			1		s
I <sub>CMP_rise</sub>	Current comp. rising threshold	Rising current	2.1	4.6	6.8	mA
I <sub>CMP_fail</sub>	Current comp. falling threshold	Falling current	1.5	3.6	6.0	mA

**Table 14. Voltage regulator V<sub>1</sub> (continued)**

Symbol	Parameter	Test condition	Min.	Typ.	Max.	Unit
I <sub>CMP_hys</sub>	Current comp. hysteresis			0.5		mA
V <sub>1fail</sub>	V <sub>1</sub> fail threshold	V <sub>1</sub> forced		2		V
t <sub>V1fail</sub>	V <sub>1</sub> fail Filter time			2		us
t <sub>V1short</sub>	V <sub>1</sub> short to ground detection filter time	V <sub>1</sub> short to ground		4		ms
t <sub>V1FS</sub>	V <sub>1</sub> Fail safe filter time			2		ms

Note: Nominal capacitor value required for stability of the regulator. Tested with 220nF ceramic (+/- 20%). Capacitor must be located close to the regulator output pin.

### 6.4.5 Reset output (V<sub>1</sub> supervision)

The voltages are referred to GND and currents are assumed positive, when the current flows into the pin. 4.0 V < V<sub>S</sub> = 28 V; T<sub>j</sub> = -40 to 130 °C, unless otherwise specified.

**Table 15. Reset output (V<sub>1</sub> supervision)**

Symbol	Parameter	Test condition	Min.	Typ.	Max.	Unit
V <sub>RT1</sub>	Reset threshold voltage1	V <sub>V1</sub> decreasing	3.35	3.5	3.65	V
V <sub>RT1</sub>	Reset threshold voltage1	V <sub>V1</sub> increasing	4.4	4.6	4.85	V
V <sub>RT2</sub>	Reset threshold voltage2 (default)	V <sub>V1</sub> increasing / decreasing	4.4	4.6	4.85	V
V <sub>RESET</sub>	Reset pin low output voltage	V <sub>1</sub> > 1 V; I <sub>RESET</sub> = 1 mA		0,2	0,4	V
R <sub>RESET</sub>	Reset pull up int. resistor		60	110	204	kΩ
t <sub>RR</sub>	Reset reaction time	@I <sub>LOAD</sub> = 1 mA	6		40	μs
V <sub>1UVFT</sub>	V <sub>1</sub> undervoltage filter time			16		μs
t <sub>Reset</sub>	Reset delay time			2		ms

### 6.4.6 Watchdog

4.5 V < V<sub>S</sub> < 28 V; 4.8 V < V<sub>1</sub> < 5.2 V; T<sub>j</sub> = -40 to 130 °C, unless otherwise specified, see [Figure 13](#) and [Figure 14](#))

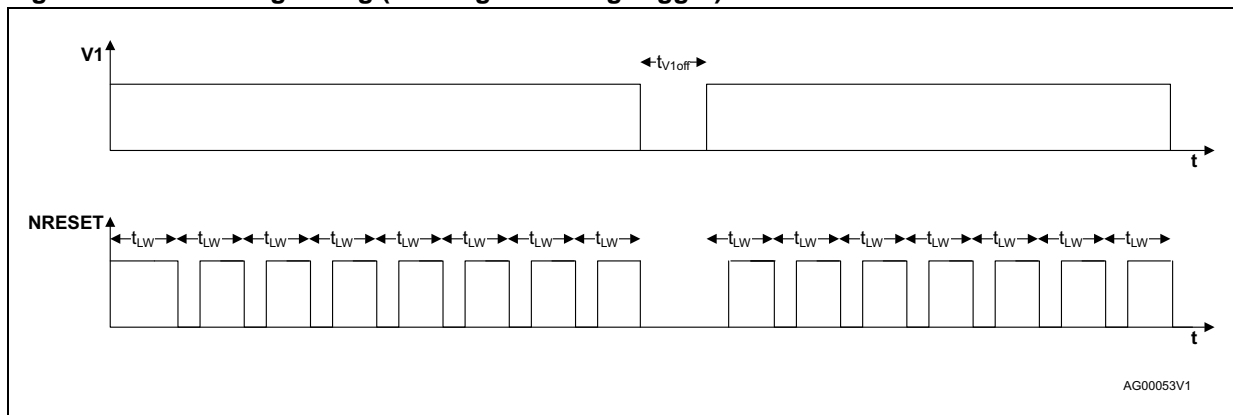
**Table 16. Watchdog**

Symbol	Parameter	Test condition	Min.	Typ.	Max.	Unit
t <sub>LW</sub>	Long open window		48.75	65	81.25	ms
T <sub>EFW1</sub>	Early failure window 1				4.5	ms
T <sub>LFW1</sub>	Late failure window 1		20			ms
T <sub>SW</sub>	Safe window 1		7.5	10	12	ms

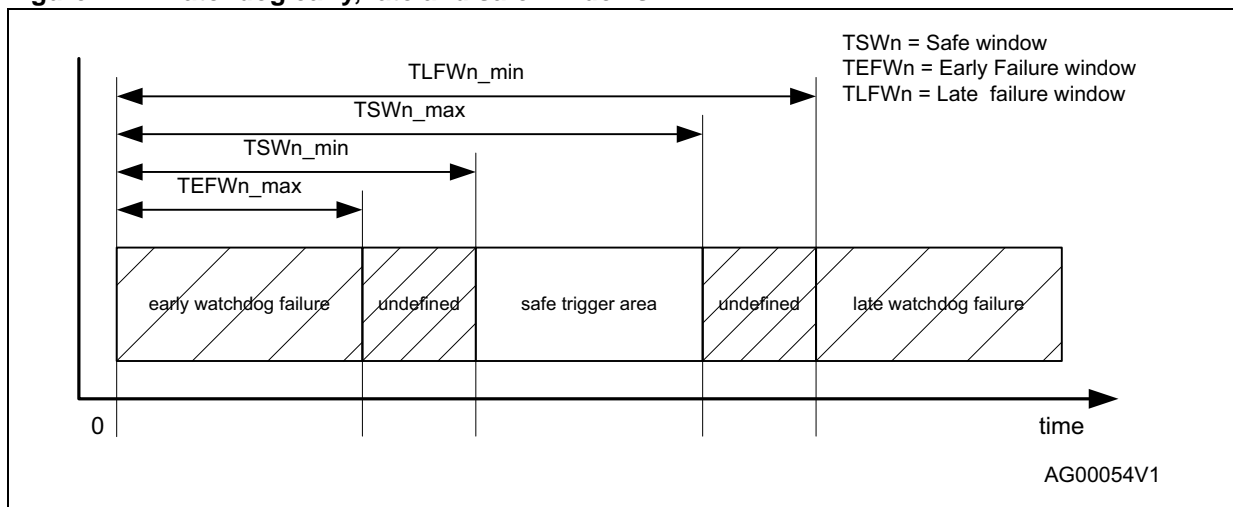
**Table 16. Watchdog (continued)**

Symbol	Parameter	Test condition	Min.	Typ.	Max.	Unit
$t_{WDR}$	Watchdog reset pulse time		1.5	2	2.5	ms
$t_{V1Off}$	$V_1$ deactivation duration after 8 consecutive WD failures		150	200	250	ms

**Figure 13. Watchdog timing (missing watchdog trigger)**



**Figure 14. Watchdog early, late and safe windows**



### 6.4.7 High-side outputs

Outputs (OUT1...2);

The voltages are referred to GND and currents are assumed positive, when the current flows into the pin.

$6\text{ V} \leq V_S \leq 18\text{ V}$ ;  $4.8\text{ V} \leq V_1 \leq 5.2\text{ V}$ ;  $T_j = -40\text{ }^\circ\text{C}$  to  $130\text{ }^\circ\text{C}$ , unless otherwise specified.

**Table 17. Output**

Symbol	Parameter	Test condition	Min.	Typ.	Max.	Unit
RDSON	DC output resistance	$I_{LOAD} = 60 \text{ mA}$ at $T_j = 25 \text{ }^\circ\text{C}$	0	7	12	$\Omega$
IOUT	Short circuit shutdown current	$8 \text{ V} < V_S < 16 \text{ V}$	140	235	330	mA
$t_{SCF}$	Short circuit filter time	Tested by scan chain		$64 * T_{OSC}$		
IOLD	Open-load detection current 1		0.5	2	4.2	mA
$t_{OLDT}$	Open-load filter time	Tested by scan chain		$64 * T_{OSC}$		
SR	Slew rate		0.2	0.5	0.8	V/ $\mu\text{s}$
$t_{dONHS}$	Switch ON delay time	$0.2 V_S$	5	35	60	$\mu\text{s}$
$t_{dOFFHS}$	Switch OFF delay time	$0.8 V_S$	20	95	150	$\mu\text{s}$
$t_{SCF}$	Short circuit filter time	Tested by scan chain		$64 * T_{OSC}$		
$I_{FW}^{(1)}$	Loss of GND current (ESD structure)		100			mA

1. Parameter guaranteed by design

### 6.4.8 Low-side drivers

Outputs (REL1...2);

The voltages are referred to GND and currents are assumed positive, when the current flows into the pin.

$6 \text{ V} \leq V_S \leq 18 \text{ V}$ ;  $4.8 \text{ V} \leq V_1 \leq 5.2 \text{ V}$ ;  $T_j = -40 \text{ to } 130 \text{ }^\circ\text{C}$ , unless otherwise specified.

**Table 18. Relay drivers**

Symbol	Parameter	Test condition	Min.	Typ.	Max.	Unit
RDSON	DC output resistance	$I_{LOAD} = 100 \text{ mA}$ @ $T_j = 25 \text{ }^\circ\text{C}$	0	2	3	$\Omega$
IOUT	Short circuit shut down current	$8 \text{ V} < V_S < 16 \text{ V}$	250	375	500	mA
$V_Z$	Output clamp voltage <sup>(1)</sup>	$I_{LOAD} = 100 \text{ mA}$	40	44	48	V
$t_{ONHL}$	Turn on delay time to 10% $V_{OUT}$		2.5	50	100	$\mu\text{s}$
$t_{OFFLH}$	Turn off delay time to 90% $V_{OUT}$		5	50	100	$\mu\text{s}$
$t_{SCF}$	Short circuit filter time	Tested by scan chain		$64 * T_{OSC}$		
SR	Slew rate		0.2	2	4	V/ $\mu\text{s}$

1. The output is capable to switch off relay coils with the impedance of  $R_L = 160 \text{ } \Omega$ ;  $L = 300 \text{ mH}$  ( $R_L = 220 \text{ } \Omega$ ;  $L = 420 \text{ mH}$ ); at  $V_S = 40 \text{ V}$  (Load dump condition).

### 6.4.9 Direct drive / voltage supply monitoring

**Input: DRV**

The voltages are referred to ground and currents are assumed positive, when the current flows into the pin.

$6\text{ V} \leq V_S \leq 18\text{ V}$ ;  $4.8\text{ V} \leq V_1 \leq 5.2\text{ V}$ ; all outputs open;  $T_j = -40\text{ }^\circ\text{C}$  to  $130\text{ }^\circ\text{C}$ , unless otherwise specified.

**Table 19. Input: DRV**

Symbol	Parameter	Test condition	Min.	Typ.	Max.	Unit
VDRVLOW	Input voltage low level	Normal mode, $V_1 = 5\text{ V}$	1.0	2.3	2.9	V
VDRVHIGH	Input voltage high level	Normal mode, $V_1 = 5\text{ V}$	1.5	2.8	3.8	V
VDRVHYS	VCSNHIGH – VCSNLOW	Normal mode, $V_1 = 5\text{ V}$	0.4	0.75	1.5	V
IDRVPD	Pull down current at input	Normal mode, $V_{in} = 1.5\text{ V}$	5	30	60	$\mu\text{A}$
$C_{in}^{(1)}$	Input capacitance	$0\text{ V} < V_1 < 5.2\text{ V}$		25	35	pF

1. Value of input capacity is not measured in production test. Parameter guaranteed by design.

### Output: VSOUT

The voltages are referred to ground and currents are assumed positive, when the current flows into the pin.

$6\text{ V} \leq V_S \leq 18\text{ V}$ ;  $4.8\text{ V} \leq V_1 \leq 5.2\text{ V}$ ; all outputs open;  $T_j = -40\text{ }^\circ\text{C}$  to  $130\text{ }^\circ\text{C}$ , unless otherwise specified.

**Table 20. Output: VSOUT**

Symbol	Parameter	Test condition	Min.	Typ.	Max.	Unit
VSOUT	Output voltage	$V_S = 6\text{ V}$ ; $V_S = 10\text{ V}$ ; $V_S = 18\text{ V}$	0.195 $V_S$	0.2 $V_S$	0.205 $V_S$	V
VSOUTUV	$V_S$ output voltage in case of undervoltage	$V_S = 4.5\text{ V}$ ; VSM selected		0.0		V
VSOUTOV	$V_S$ output voltage in case of overvoltage	$V_S = 24\text{ V}$ ; VSM selected		5.0		V
VTROOM	$T_{SENSE}$ output voltage at $25\text{ }^\circ\text{C}$	$V_S = 12\text{ V}$ ; $T = 25\text{ }^\circ\text{C}$		1.38		V
VTSENSE	$T_{SENSE}$ output voltage	$T = 25\text{ }^\circ\text{C}$ ; $T = 130\text{ }^\circ\text{C}$ ; $T = -40\text{ }^\circ\text{C}$		3.5		mV/K
$I_{VSOUT}$	Pull-up pull-down current ability			2		mA

### 6.4.10 LIN

LIN 2.1 compliant for Baud rates up to 20 kBit/s (SAE J2602 compatible) baud rate of the LIN bus can be upgraded up to 100 kBits by SPI bit configuration (LIN Flash bit 3 CR2).

The voltages are referred to GND and currents are assumed positive, when the current flows into the pin.

$6\text{ V} \leq V_S \leq 18\text{ V}$ ;  $4.8\text{ V} \leq V_1 \leq 5.2\text{ V}$ ;  $T_{junction} = -40\text{ }^\circ\text{C}$  to  $130\text{ }^\circ\text{C}$  unless otherwise specified.

**Table 21. LIN transmit data input: pin TXD**

Symbol	Parameter	Test condition	Min.	Typ.	Max.	Unit
$V_{TXDOW}$	Input voltage dominant level	Normal mode; $V_1 = 5\text{ V}$	0.8	1.9		V
$V_{TXDHIGH}$	Input voltage recessive level	Normal mode; $V_1 = 5\text{ V}$		2.9	3.5	V
$V_{TXDHYS}$	$V_{TXDHIGH} - V_{TXDOW}$	Normal mode; $V_1 = 5\text{ V}$	0.5	1.0	1.5	V
$I_{TXDPU}$	TXD pull up resistor	Normal mode; $V_1 = 5\text{ V}$		20		k $\Omega$
$I_{TXDPD}$	TXD pull-down current	Test mode; $V_{IN} = 10\text{ V}$		480		$\mu\text{A}$

**Table 22. LIN receive data output: pin RXD**

Symbol	Parameter	Test condition	Min.	Typ.	Max.	Unit
$V_{RXDOW}$	Output voltage dominant level	Normal mode; $V_1 = 5\text{ V}$ ; 2 mA		0.2	0.5	V
$V_{RXDHIGH}$	Output voltage recessive level	Normal mode; $V_1 = 5\text{ V}$ ; 2 mA	4.5			V

**Table 23. LIN transmitter and receiver: pin LIN**

Symbol	Parameter	Test condition	Min.	Typ.	Max.	Unit
$V_{Thdom}$	Receiver threshold voltage recessive to dominant state		$0.4 V_S$	$0.45 V_S$	$0.5 V_S$	V
$V_{Busdom}$	Receiver dominant state				$0.4 V_S$	V
$V_{Threc}$	Receiver threshold voltage dominant to recessive state		$0.5 V_S$	$0.55 V_S$	$0.6 V_S$	V
$V_{Busrec}$	Receiver recessive state		$0.6 V_S$			V
$V_{Thhys}$	Receiver threshold hysteresis	$V_{Threc} - V_{Thdom}$	$0.07 V_S$	$0.1 V_S$	$0.175 V_S$	V
$V_{THcnt}$	Receiver tolerance center value	$(V_{Threc} + V_{Thdom}) / 2$	$0.475 V_S$	$0.5 V_S$	$0.525 V_S$	V
$V_{Thwkup}$	Receiver walk-up threshold voltage		1.0	1.5	2	V
$V_{Thwkdown}$	Receiver walk-up threshold voltage		$V_S - 3.5$	$V_S - 2.5$	$V_S - 1.5$	V
$t_{linbus}$	Dominant time for walk-up via bus	Sleep mode edge: recessive-dominant		$64 \cdot T_{OSC}$		$\mu\text{s}$
$I_{LINDomSC}$	Transmitter input current limit in dominant state	$V_{TXD} = V_{TXDlow}$ ; $V_{LIN} = V_{batmax} = 18\text{ V}$	40	100	180	mA
$I_{bus\_PAS\_dom}$	Input leakage current at the receiver incl. pull-up resistor	$V_{TXD} = V_{TXDhigh}$ ; $V_{LIN} = 0\text{ V}$ ; $V_{BAT} = 12\text{ V}^{(1)}$	-1			mA
$I_{bus\_PAS\_rec}$	Transmitter input current in recessive state	$V_{TXD} = V_{TXDhigh}$ ; $8\text{ V} < V_{LIN} < 18\text{ V}$ ; $8\text{ V} < V_{BAT} < 18\text{ V}$ ; $V_{LIN} > V_{BAT}$			20	$\mu\text{A}$

Table 23. LIN transmitter and receiver: pin LIN (continued)

Symbol	Parameter	Test condition	Min.	Typ.	Max.	Unit
$I_{bus\_NO\_GND}$	Input current if loss of GND at device	$GND = V_S; 0 V < V_{LIN} < 18 V;$ $V_{BAT} = 12 V$	-1		1	mA
$I_{bus}$	Input current if loss of $V_{bat}$ at device	$GND = V_S; 0 V < V_{LIN} < 18 V$			100	$\mu A$
$V_{LINdom}$	LIN voltage level in dominant state	$V_{TXD} = V_{TXDlow}; I_{LIN} = 40 mA$			1.2	V
$V_{LINrec}$	LIN voltage level in recessive state	$V_{TXD} = V_{TXDhigh}; I_{LIN} = 10 \mu A$	0.8 $V_S$			V
$R_{LINup}$	LIN output pull up resistor	$V_{LIN} = 0 V$	20	40	60	k $\Omega$

1. Slave Mode

Table 24. LIN transceiver timing

Symbol	Parameter	Test condition	Min.	Typ.	Max.	Unit
$t_{RXpd}$	Receiver propagation delay time	$t_{RXpd} = \max(t_{RXpdr}, t_{RXpdf});$ $t_{RXpdf} = t(0.5 RXD) - t(0.45 V_{LIN});$ $t_{RXpdr} = t(0.5 RXD) - t(0.55 V_{LIN});$ $C_{RXD} = 20 pF; V_S = 12 V;$ $R_{bus} = 1 k\Omega, C_{bus} = 1 nF;$ $R_{bus} = 660 k\Omega, C_{bus} = 6.8 nF;$ $R_{bus} = 500 k\Omega, C_{bus} = 10 nF$			6	$\mu s$
$t_{RXpd\_sym}$	Symmetry of receiver propagation delay time (rising vs. falling edge)	$t_{RXpd\_sym} = t_{RXpdr} - t_{RXpdf}$	-2		2	$\mu s$
D1	Duty cycle 1	$TH_{Rec}(max) = 0.744 * V_S;$ $TH_{Dom}(max) = 0.581 * V_S;$ $V_S = 7...18 V; t_{bit} = 50 \mu s;$ $D1 = t_{bus\_rec}(min)/(2 * t_{bit})$ $R_{bus} = 1 k\Omega, C_{bus} = 1 nF;$ $R_{bus} = 660 k\Omega, C_{bus} = 6.8 nF;$ $R_{bus} = 500 k\Omega, C_{bus} = 10 nF$	0.396			
D2	Duty Cycle 2	$TH_{Rec}(min) = 0.422 * V_S;$ $TH_{Dom}(min) = 0.284 * V_S;$ $V_S = 7.6 ... 18 V; t_{bit} = 50 \mu s;$ $D1 = t_{bus\_rec}(max)/(2 * t_{bit})$ $R_{bus} = 1 k\Omega, C_{bus} = 1 nF;$ $R_{bus} = 660 k\Omega, C_{bus} = 6.8 nF;$ $R_{bus} = 500 k\Omega, C_{bus} = 10 nF$			0.581	
D3	Duty Cycle 3	$TH_{Rec}(max) = 0.778 * V_S;$ $TH_{Dom}(max) = 0.616 * V_S;$ $V_S = 7...18 V; t_{bit} = 96 \mu s;$ $D3 = t_{bus\_rec}(min)/(2 * t_{bit})$ $R_{bus} = 1 k\Omega, C_{bus} = 1 nF;$ $R_{bus} = 660 k\Omega, C_{bus} = 6.8 nF;$ $R_{bus} = 500 k\Omega, C_{bus} = 10 nF$	0.417			

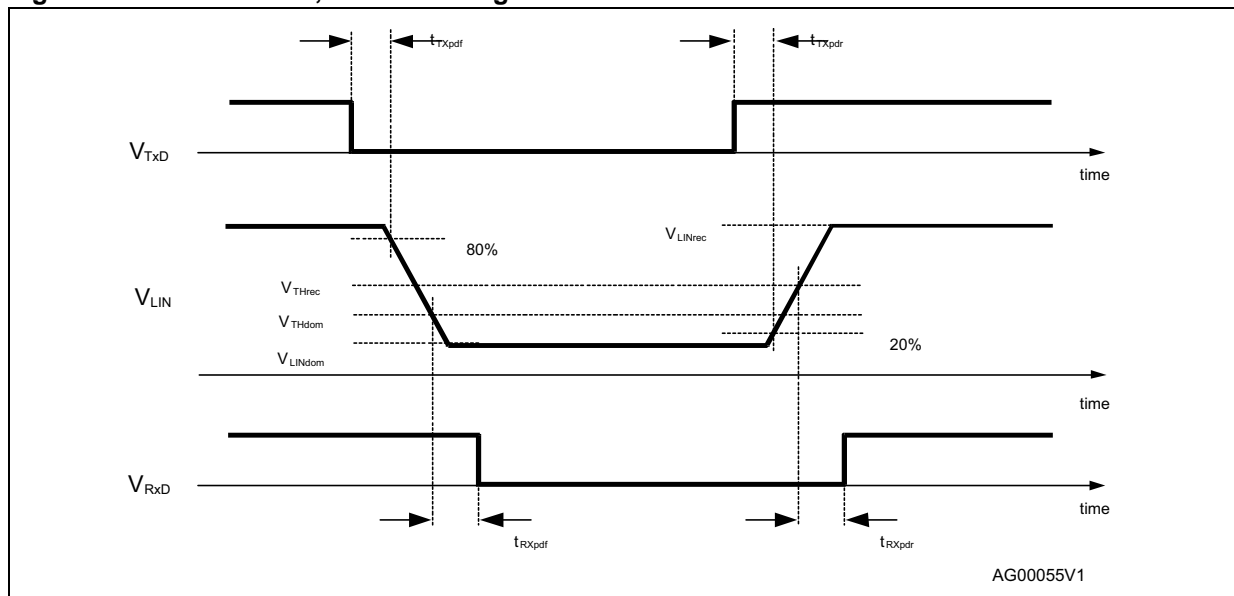
**Table 24. LIN transceiver timing (continued)**

Symbol	Parameter	Test condition	Min.	Typ.	Max.	Unit
D4	Duty Cycle 4	$TH_{Rec}(min) = 0.389 * V_S$ ; $TH_{Dom}(min) = 0.251 * V_S$ ; $V_S = 7.6...18 V$ ; $t_{bit} = 96 \mu s$ ; $D1 = t_{bus\_rec}(max)/(2 * t_{bit})$ ; $R_{bus} = 1 k\Omega$ , $C_{bus} = 1 nF$ ; $R_{bus} = 660 k\Omega$ , $C_{bus} = 6.8 nF$ ; $R_{bus} = 500 k\Omega$ , $C_{bus} = 10 nF$			0.590	
$t_{dom}(TXDL)$	TXDL dominant time-out			12		ms
$t_{LIN}$	LIN permanent recessive time-out			40		$\mu s$
RDSon	ON resistance			10.5	16	$\Omega$

**Table 25. LIN Flash mode**

Symbol	Parameter	Test condition	Min.	Typ.	Max.	Unit
SRf	LIN slew rate falling edge	From 20% to 80% of $V_{LIN}$ ; $V_S = 12 V$ ; $R_{bus} = 150 \Omega$ ; $C_{bus} = 1 nF$	—	13	—	V/ $\mu s$

**Figure 15. LIN transmit, receive timing**



**6.4.11 SPI**

**Input: CSN**

The voltages are referred to ground and currents are assumed positive, when the current flows into the pin.

$6 V \leq V_S \leq 18 V$ ;  $4.8 V \leq V_1 \leq 5.2 V$ ; all outputs open;  $T_j = -40 \text{ }^\circ\text{C}$  to  $130 \text{ }^\circ\text{C}$ , unless otherwise specified.



**Table 26. Input: CSN**

Symbol	Parameter	Test condition	Min.	Typ.	Max.	Unit
VCSNLOW	Input voltage low level	Normal mode; $V_1 = 5\text{ V}$	0.8	1.9	2.5	V
VCSNHIGH	Input voltage high level	Normal mode; $V_1 = 5\text{ V}$	1.5	2.9	3.5	V
VCSNHYS	$V_{CSNHIGH} - V_{CSNLOW}$	Normal mode; $V_1 = 5\text{ V}$	0.5	1.0	1.5	V
ICSNPU	CSN pull up resistor	Normal mode; $V_1 = 5\text{ V}$	10	20	35	k $\Omega$
ICSNPD	CSN pull-down current	Test mode, $V_{IN} = 10\text{ V}$		480		$\mu\text{A}$

**Input CSN for Flash mode**

$6\text{ V} \leq V_S \leq 18\text{ V}$ ,  $4.5\text{ V} \leq V_1 \leq 5.3\text{ V}$ ;  $T_j = -40\text{ }^\circ\text{C}$  to  $130\text{ }^\circ\text{C}$ ; voltages are referred to GND, all outputs open

**Table 27. Input CSN for Flash mode**

Symbol	Parameter	Test condition	Min.	Typ.	Max.	Unit
$V_{\text{flashL}}$	Input level $V_{\text{CSN}}$ exit Flash mode)	$V_1 = 5\text{ V}$	6.1	7.25	8.4	V
$V_{\text{flashH}}$	Input level $V_{\text{CSN}}$ entering Flash mode	$V_1 = 5\text{ V}$	7.4	8.4	9.4	V
$V_{\text{flashHYS}}$	Input voltage hysteresis	$V_1 = 5\text{ V}$	0.6	0.8	1.0	V

**Inputs: CLK, DI**

The voltages are referred to ground and currents are assumed positive, when the current flows into the pin.

$6\text{ V} \leq V_S \leq 18\text{ V}$ ;  $4.8\text{ V} \leq V_1 \leq 5.2\text{ V}$ ; all outputs open;  $T_j = -40\text{ }^\circ\text{C}$  to  $130\text{ }^\circ\text{C}$ , unless otherwise specified.

**Table 28. Inputs: CLK, DI**

Symbol	Parameter	Test condition	Min.	Typ.	Max.	Unit
$t_{\text{set}}$	Delay time from standby to active mode	Switching from standby to active mode. Time until output drivers are enabled after CSN going to high.		160	300	$\mu\text{s}$
$V_{\text{inL}}$	Input low level	$V_1 = 5\text{ V}$	1.0	2.3	2.9	V
$V_{\text{inH}}$	Input high level	$V_1 = 5\text{ V}$	1.5	2.8	3.8	V
$V_{\text{inHyst}}$	Input hysteresis	$V_1 = 5\text{ V}$	0.4	0.75	1.5	V
$I_{\text{in}}$	Pull down current at input	$V_{\text{IN}} = 1.5\text{ V}$	5	30	60	$\mu\text{A}$
$C_{\text{in}}^{(1)}$	Input capacitance at input CSN, CLK, DI and PWM <sub>1,2</sub>	$0\text{ V} < V_1 < 5.2\text{ V}$		10	15	pF
$f_{\text{CLK}}$	SPI input frequency at CLK				1	MHz

1. Value of input capacity is not measured in production test. Parameter guaranteed by design.

**DI timing<sup>(b)</sup>**

The voltages are referred to ground and currents are assumed positive, when the current flows into the pin.

6 V ≤ V<sub>S</sub> ≤ 18 V; 4.8 V ≤ V<sub>1</sub> ≤ 5.2 V; all outputs open; T<sub>j</sub> = -40 °C to 130 °C, unless otherwise specified.

**Table 29. DI timing**

Symbol	Parameter	Test condition	Min.	Typ.	Max.	Unit
t <sub>CLK</sub>	Clock period	V <sub>1</sub> = 5 V	1000	—		ns
t <sub>CLKH</sub>	Clock high time	V <sub>1</sub> = 5 V	400	—		ns
t <sub>CLKL</sub>	Clock low time	V <sub>1</sub> = 5 V	400	—		ns
t <sub>set CSN</sub>	CSN setup time, CSN low before rising edge of CLK	V <sub>1</sub> = 5 V	400	—		ns
t <sub>set CLK</sub>	CLK setup time, CLK high before rising edge of CSN	V <sub>1</sub> = 5 V	400	—		ns
t <sub>set DI</sub>	DI setup time	V <sub>1</sub> = 5 V	200	—		ns
t <sub>hold DI</sub>	DI hold time	V <sub>1</sub> = 5 V	200	—		ns
t <sub>r in</sub>	Rise time of input signal DI, CLK, CSN	V <sub>1</sub> = 5 V		—	100	ns
t <sub>f in</sub>	Fall time of input signal DI, CLK, CSN	V <sub>1</sub> = 5 V		—	100	ns

**Output DO**

The voltages are referred to ground and currents are assumed positive, when the current flows into the pin.

6 V ≤ V<sub>S</sub> ≤ 18 V; 4.8 V ≤ V<sub>1</sub> ≤ 5.2 V; all outputs open; T<sub>j</sub> = -40 °C to 130 °C, unless otherwise specified.

**Table 30. Output DO**

Symbol	Parameter	Test condition	Min.	Typ.	Max.	Unit
V <sub>DOL</sub>	Output low level	V <sub>1</sub> = 5 V; I <sub>D</sub> = -4 mA			0.5	V
V <sub>DOH</sub>	Output high level	V = 5 V; I <sub>D</sub> = 4 mA	4.5			V
I <sub>DOLK</sub>	3-state leakage current	V <sub>CSN</sub> = V <sub>1</sub> ; 0 V < V <sub>DO</sub> < V <sub>1</sub>	-10		10	μA
C <sub>DO</sub> <sup>(1)</sup>	3-state input capacitance	V <sub>CSN</sub> = V <sub>1</sub> , 0 V < V <sub>1</sub> < 5.3 V		10	15	pF

1. Value of input capacity is not measured in production test. Parameter guaranteed by design.

b. See [Figure 16: SPI – input timing](#).

**DO timing<sup>(c)</sup>**

The voltages are referred to ground and currents are assumed positive, when the current flows into the pin.

$6\text{ V} \leq V_S \leq 18\text{ V}$ ;  $4.8\text{ V} \leq V_1 \leq 5.2\text{ V}$ ; all outputs open;  $T_j = -40\text{ }^\circ\text{C}$  to  $130\text{ }^\circ\text{C}$ , unless otherwise specified.

**Table 31. DO timing**

Symbol	Parameter	Test condition	Min.	Typ.	Max.	Unit
$t_{r\text{ DO}}$	DO rise time	$C_L = 100\text{ pF}$ ; $I_{\text{LOAD}} = -1\text{ mA}$	—	50	100	ns
$t_{f\text{ DO}}$	DO fall time	$C_L = 100\text{ pF}$ ; $I_{\text{LOAD}} = 1\text{ mA}$	—	50	100	ns
$t_{\text{en DO L tri L}}$	DO enable time from 3-state to low level	$C_L = 100\text{ pF}$ ; $I_{\text{LOAD}} = 1\text{ mA}$ ; pull-up load to $V_1$	—	50	250	ns
$t_{\text{dis DO L tri}}$	DO disable time from low level to 3-state	$C_L = 100\text{ pF}$ ; $I_{\text{LOAD}} = 4\text{ mA}$ ; pull-up load to $V_1$	—	50	250	ns
$t_{\text{en DO tri H}}$	DO enable time from 3-state to high level	$C_L = 100\text{ pF}$ ; $I_{\text{LOAD}} = -1\text{ mA}$ ; pull-down load to GND	—	50	250	ns
$t_{\text{dis DO H tri}}$	DO disable time from high level to 3-state	$C_L = 100\text{ pF}$ ; $I_{\text{LOAD}} = -4\text{ mA}$ ; pull-down load to GND	—	50	250	ns
$t_{d\text{ DO}}$	DO delay time	$V_{\text{DO}} < 0.3\text{ V}_1$ ; $V_{\text{DO}} > 0.7\text{ V}_1$ ; $C_L = 100\text{ pF}$	—	50	250	ns

**CSN timing<sup>(d)</sup>**

The voltages are referred to ground and currents are assumed positive, when the current flows into the pin.

$6\text{ V} \leq V_S \leq 18\text{ V}$ ;  $4.8\text{ V} \leq V_1 \leq 5.2\text{ V}$ ; all outputs open;  $T_j = -40\text{ }^\circ\text{C}$  to  $130\text{ }^\circ\text{C}$ , unless otherwise specified.

**Table 32. CSN timing**

Symbol	Parameter	Test condition	Min.	Typ.	Max.	Unit
$t_{\text{CSN\_HI(min)}}$	Minimum CSN HI time, active mode	Transfer of SPI-command to Input register	6	—	—	$\mu\text{s}$

**RXDL/NINT timing**

The voltages are referred to ground and currents are assumed positive, when the current flows into the pin.

$6\text{ V} \leq V_S \leq 18\text{ V}$ ;  $4.8\text{ V} \leq V_1 \leq 5.2\text{ V}$ ; all outputs open;  $T_j = -40\text{ }^\circ\text{C}$  to  $130\text{ }^\circ\text{C}$ , unless otherwise specified.

c. See [Figure 17: SPI – output timing](#)

d. See [Figure 18: SPI transition parameters](#)

Table 33. RXDL/NINT timing

Symbol	Parameter	Test condition	Min.	Typ.	Max.	Unit
$t_{Interrupt}$	Interrupt pulse duration	Walk-up from $V_{1stby}$ by LIN	—	56	—	$\mu s$

Figure 16. SPI – input timing

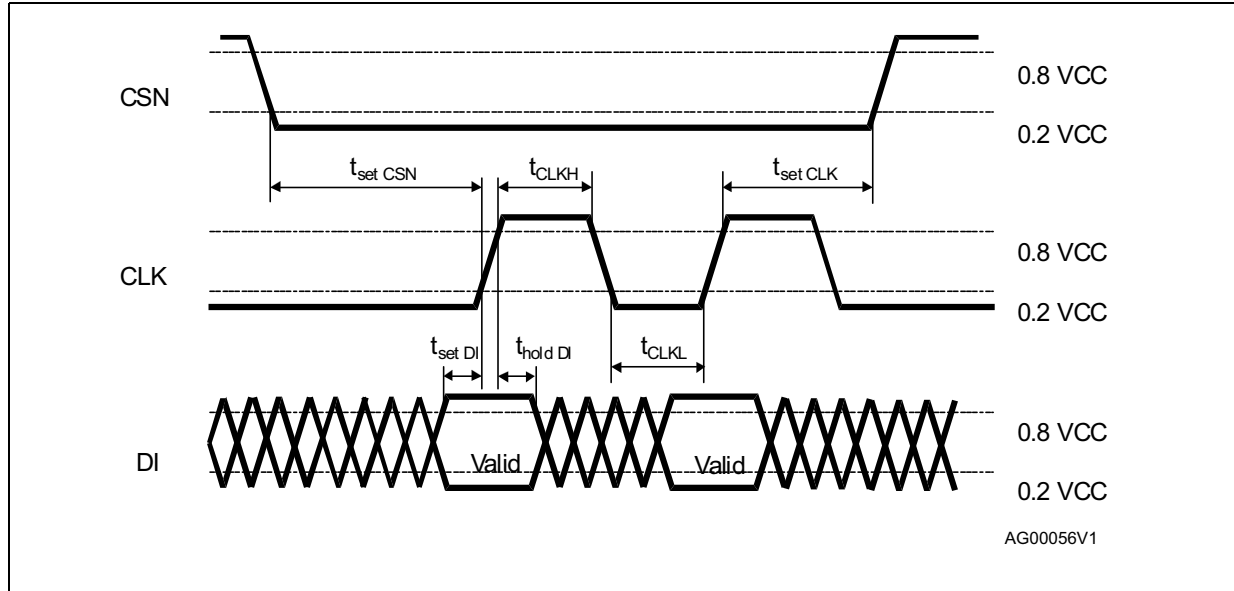


Figure 17. SPI – output timing

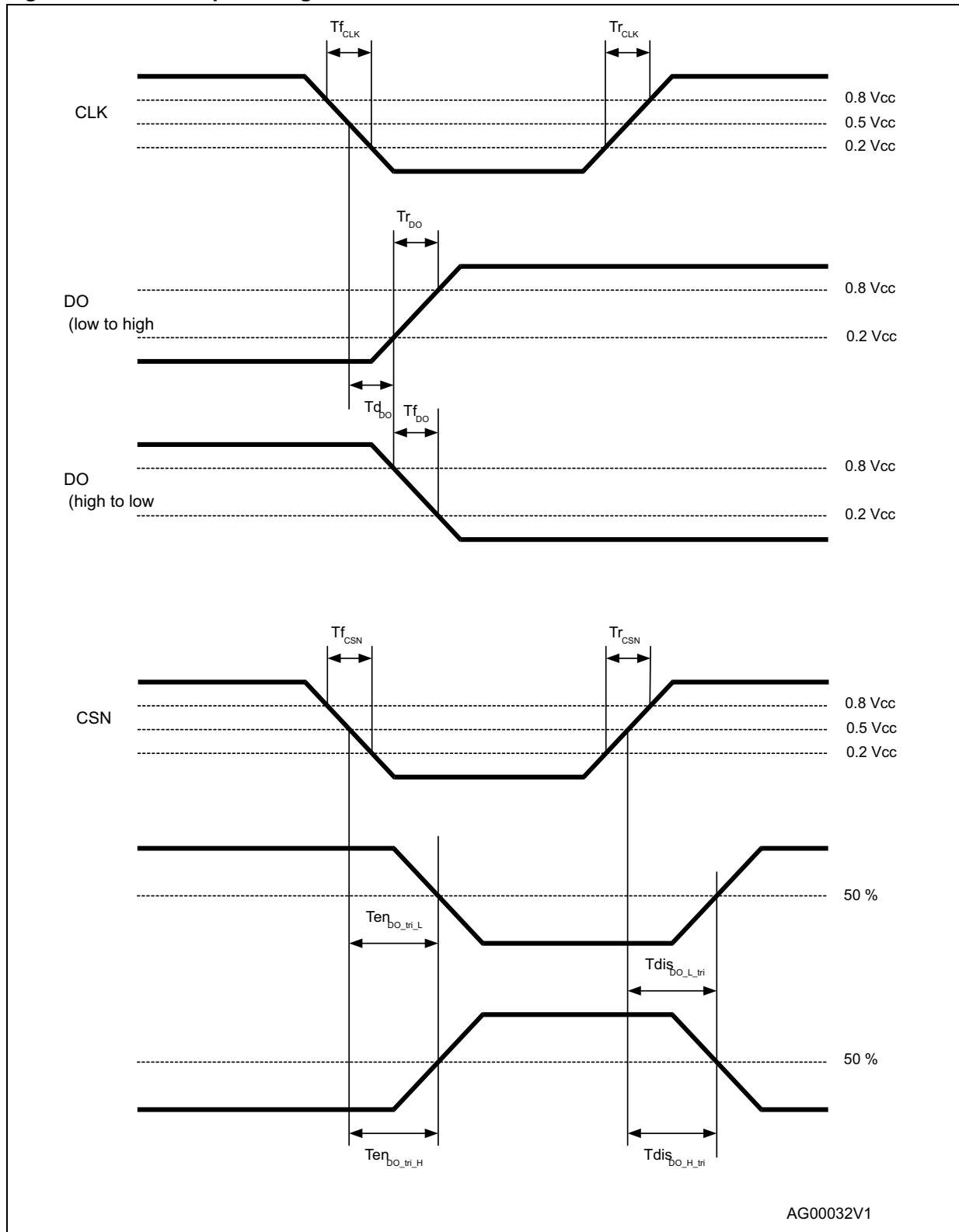


Figure 18. SPI transition parameters

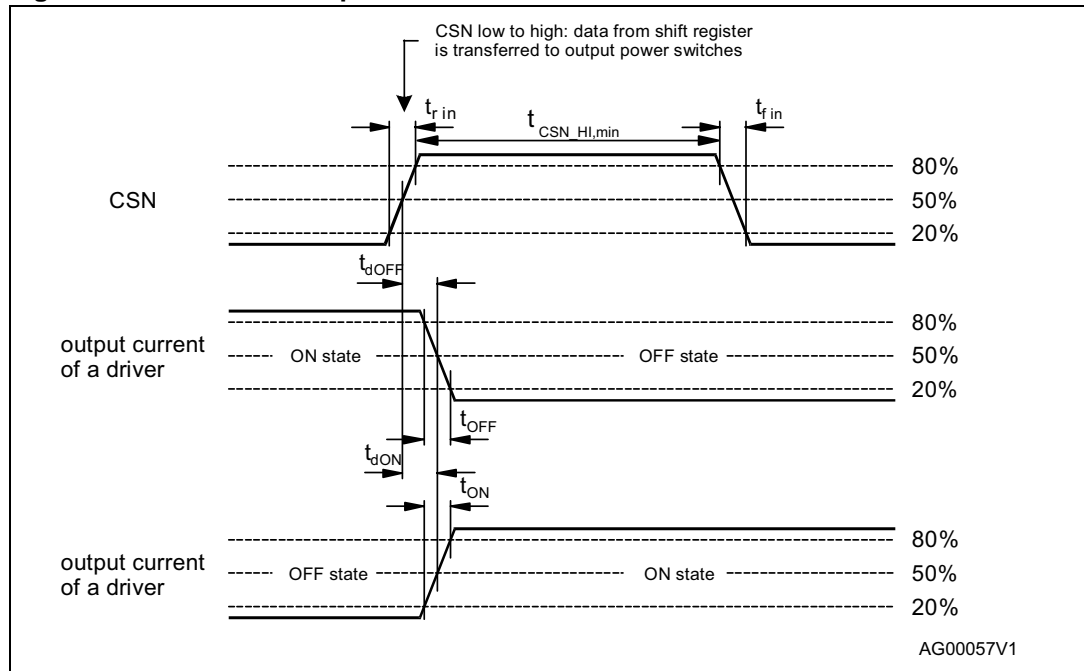
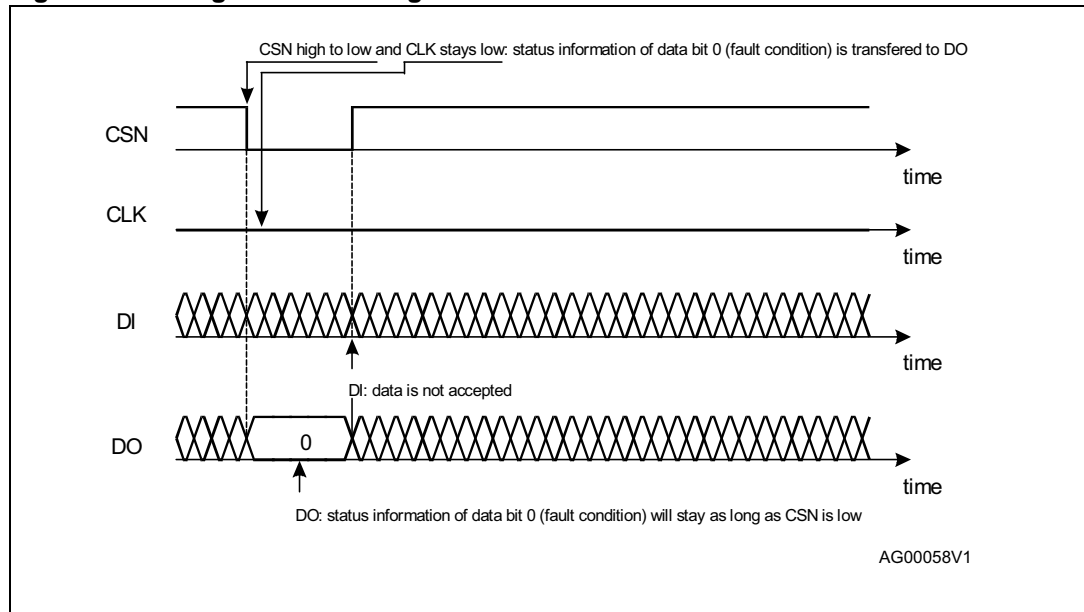


Figure 19. SPI global status register access



## 7 ST SPI

### 7.1 SPI communication flow

#### 7.1.1 General description

The proposed SPI communication is based on a standard SPI interface structure using CSN (Chip Select Not), SDI (Serial Data In), SDO (Serial Data Out/Error) and SCK (Serial Clock) signal lines.

At device start-up the master reads the *<SPI-frame-ID>* register (ROM address 3EH) of the slave device. This 8-bit register indicates the SPI frame length (16bit) and the availability of additional features.

Each communication frame consists of an instruction byte which is followed by 1 data byte.

The data returned on SDO within the same frame always starts with the *<Global Status>* register. It provides general status information about the device. It is followed by 1 data byte (i.e. 'In-frame-response').

For write cycles the *<Global Status>* register is followed by the previous content of the addressed register.

For read cycles the *<Global Status>* register is followed by the content of the addressed register.

#### 7.1.2 Command byte

Each communication frame starts with a command byte. It consists of an operating code which specifies the type of operation (*<Write>*, *<Read>*, *<Read and Clear>*, *<Read Device Information>*) and a 6 bit address. If less than 6 address bits are required, the remaining bits are unused but are reserved.

**Table 34. Command byte**

MSB								LSB
Op code		Address						
OC1	OC0	A5	A4	A3	A2	A1	A0	

OCx: operating code

Ax: address

#### 7.1.3 Operating code definition

**Table 35. Operating code definition**

OC1	OC0	Meaning
0	0	<Write mode>
0	1	<Read mode>

**Table 35. Operating code definition (continued)**

OC1	OC0	Meaning
1	0	<Read and clear status>
1	1	<Read device information>

The <Write Mode> <Read Mode> and <Read and Clear Status> operations allow access to the RAM of the device, i.e. to write to control registers or read status information.

A <Read and Clear Status> operation addressed to a device specific status register reads back and subsequently clear this status register.

A <Read and Clear Status> operation with address 3FH clears all status registers (including the Global Status Register). Configuration Register is read by this operation.

<Read Device Information> allows access to the ROM area which contains device related information such as the product family, product name, silicon version, register width and availability of a watchdog.

More detailed descriptions of the device information are available in 'Read Device Information'.

### 7.1.4 Global status register<sup>(e)</sup>

**Table 36. Global status register**

Bit 7	Bit 6	Bit 5	Bit 4	Bit 3	Bit 2	Bit 1	Bit 0
Global error flag (GEF)	Communication error	Not (chip reset or comm error)	TSD2 or TSD1	TW	V <sub>1</sub> fail	V <sub>S</sub> fail (OV/UV)	Fail safe

**Table 37. Detailed global status register**

Global error	Comm error	NOT(chip reset or comm error)	TSD1 or TSD2	TW	V <sub>1</sub> fail	V <sub>S</sub> fail (OV / UV)	Fail safe	Hex.	L99PM60J
Bit 7	Bit 6	Bit 5	Bit 4	Bit 3	Bit 2	Bit 1	Bit 0		
0	0	1	0	0	0	0	0	20	Default value in Normal mode - after correct WD trigger or after Read & Clear on Error Flags
1	0	0	0	0	0	0	0	80	Power ON - strong battery
1	0	0	0	0	0	1	0	82	Power ON - weak battery
1	1	0	0	0	0	0	0	C0	Communication error

e. See [Section 7.2: SPI registers](#) for details



Table 37. Detailed global status register (continued)

Global error	Comm error	NOT(chip reset or comm error)	TSD1 or TSD2	TW	V <sub>1</sub> fail	V <sub>S</sub> fail (OV / UV)	Fail safe	Hex.	
Bit 7	Bit 6	Bit 5	Bit 4	Bit 3	Bit 2	Bit 1	Bit 0	Hex.	L99PM60J
1	0	1	0	0	0	1	0	A2	V <sub>S</sub> overvoltage or V <sub>S</sub> undervoltage
1	0	1	0	0	0	0	1	A1	WD failure
1	0	1	0	0	0	0	1	A1	SPI error (DI stuck)
1	0	1	1	1	0	0	1	B9	TSD2
1	0	1	0	0	1	0	0	A4	V <sub>1</sub> fail
1	0	1	0	0	0	0	0	A0	Other device failure <sup>(1)</sup>

1. The Global Error Flag is raised due to a failure condition which is not reported in the Global Status Register. The Failure is reported in the Status Registers 1 – 4.

### 7.1.5 Configuration register

The <Configuration> register is accessible at RAM address 3FH.

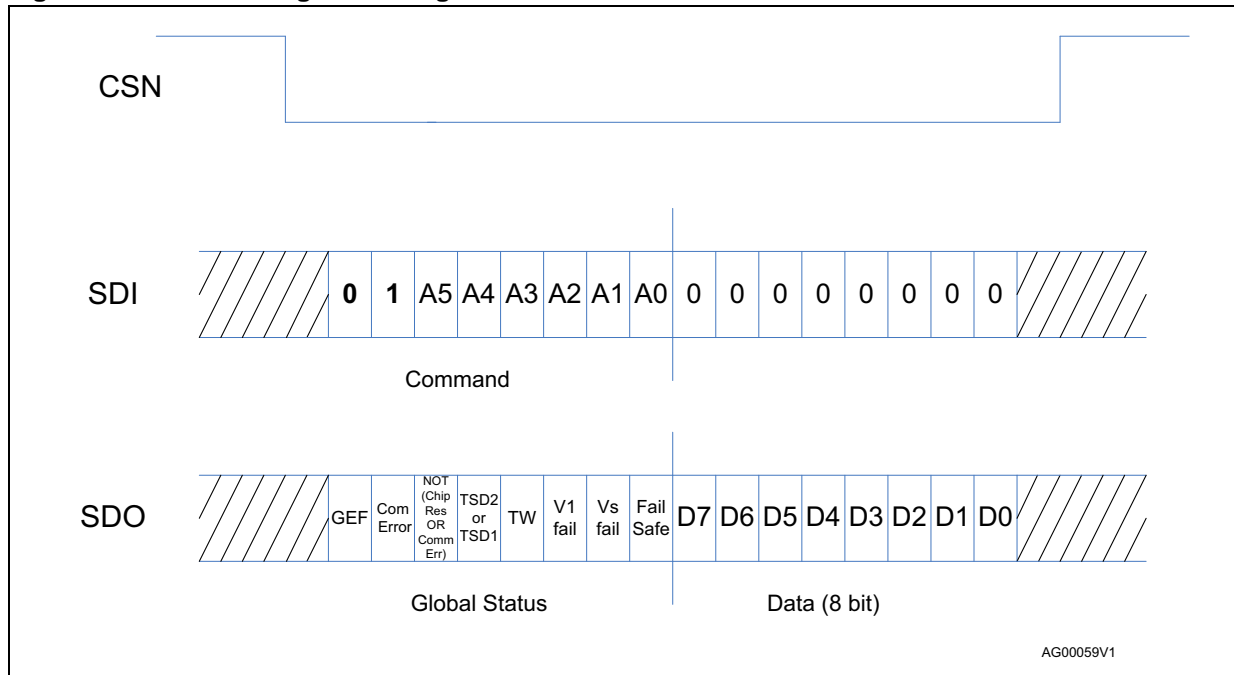
The Configuration Register is implemented for compliance purpose to ST SPI Standard.

Table 38. Configuration register

Bit 7	Bit 6	Bit 5	Bit 4	Bit 3	Bit 2	Bit 1	Bit 0
0	0	0	0	0	0	0	WD trigger

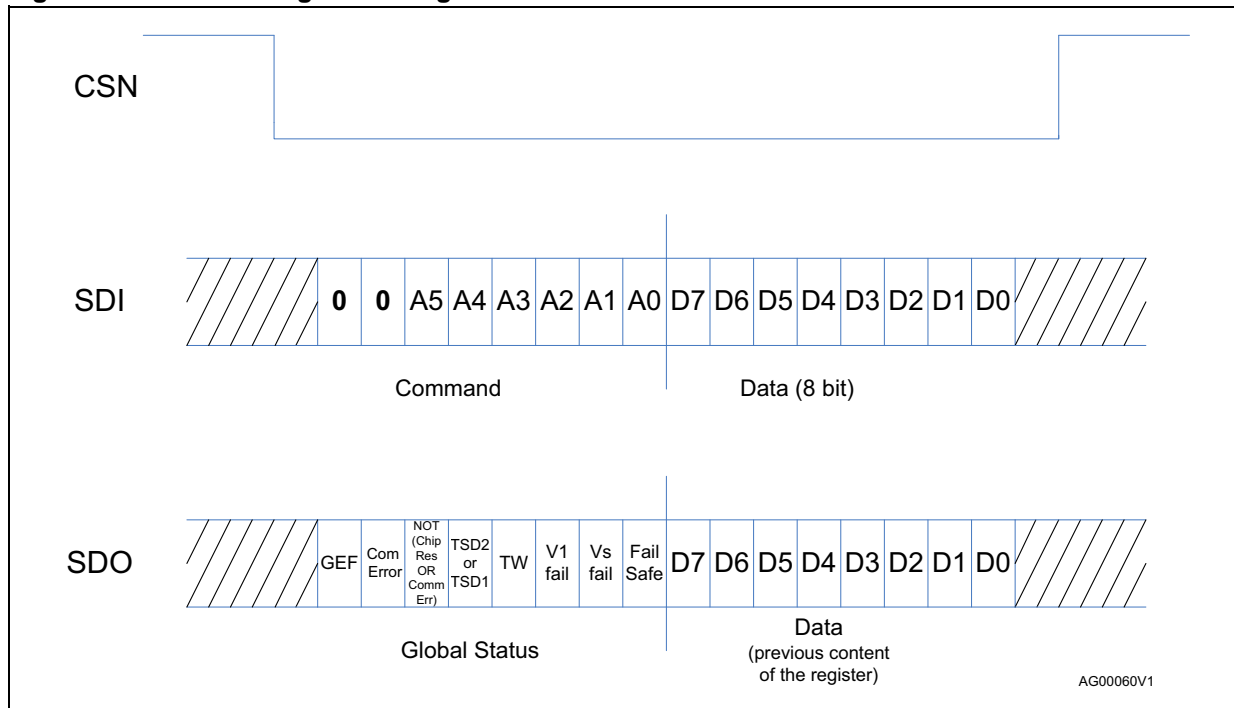
<WD Trigger>: this Bit is reserved to serve the watchdog.

Figure 20. Read configuration register



AG00059V1

Figure 21. Write configuration register



AG00060V1

### 7.1.6 Address mapping

**Table 39. Addressing mapping**

RAM Address	Description	Access	ROM Address	Description	Access
3FH	<Configuration>	R/W	3FH	Reserved	N/A
14H	Status register 4	R	3EH	<SPI frame ID> Includes frame width and availability of watchdog	R
13H	Status register 3	R	...	Unused	N/A
12H	Status register 2	R	03H	<product code 2> Unique product identifier	N/A
11H	Status register 1	R	02H	<product code 1> Unique product identifier	R
02H	Control register 2	R/W	01H	<silicon version> Indicates Design Version	R
01H	Control register 1	R/W	00H	<ID Header> Device family, max address of device information	R
00H	Reserved	R/W			

The RAM memory area consists of 8 bit registers.

For the device information (ROM memory area) the eight bits of the memory cell are used.

All unused RAM and ROM addresses are read as '0'.

- Note:*
- 1 The register definition for RAM address 00H is unused. A register value of all 0 must cause the device to enter a failsafe state (interpreted as 'SDI stuck to GND' failure).
  - 2 ROM address 3FH is unused. An attempt to access this address must be recognized as a communication error ('SDI stuck to V<sub>CC</sub>' failure) and must cause the device to enter a failsafe state.

### 7.1.7 Write operation

The write operation starts with a Command Byte followed by 1 data byte.

**Table 40. Write command format**

MSB								LSB
<b>Command byte</b>								
Op Code		Address						
0	0	A5	A4	A3	A2	A1	A0	
<b>Data byte</b>								
D7	D6	D5	D4	D3	D2	D1	D0	

OC0, OC1: operating code (00 for 'write' mode)

A0 to A5: address bits

An attempt to write 00H at RAM address 00H is recognized as a failure (SDI stuck to GND). The device enters a failsafe state.

### 7.1.8 Format of data shifted out at SDO during write cycle

**Table 41. Format of data shifted out at SDO during write cycle: global status register**

Bit 7	Bit 6	Bit 5	Bit 4	Bit 3	Bit 2	Bit 1	Bit 0
Global error flag (GEF)	Comm error	Not (chip reset or comm error)	TSD2 or TSD1	TW	V <sub>1</sub> fail	V <sub>S</sub> fail (OV/UV)	Fail safe

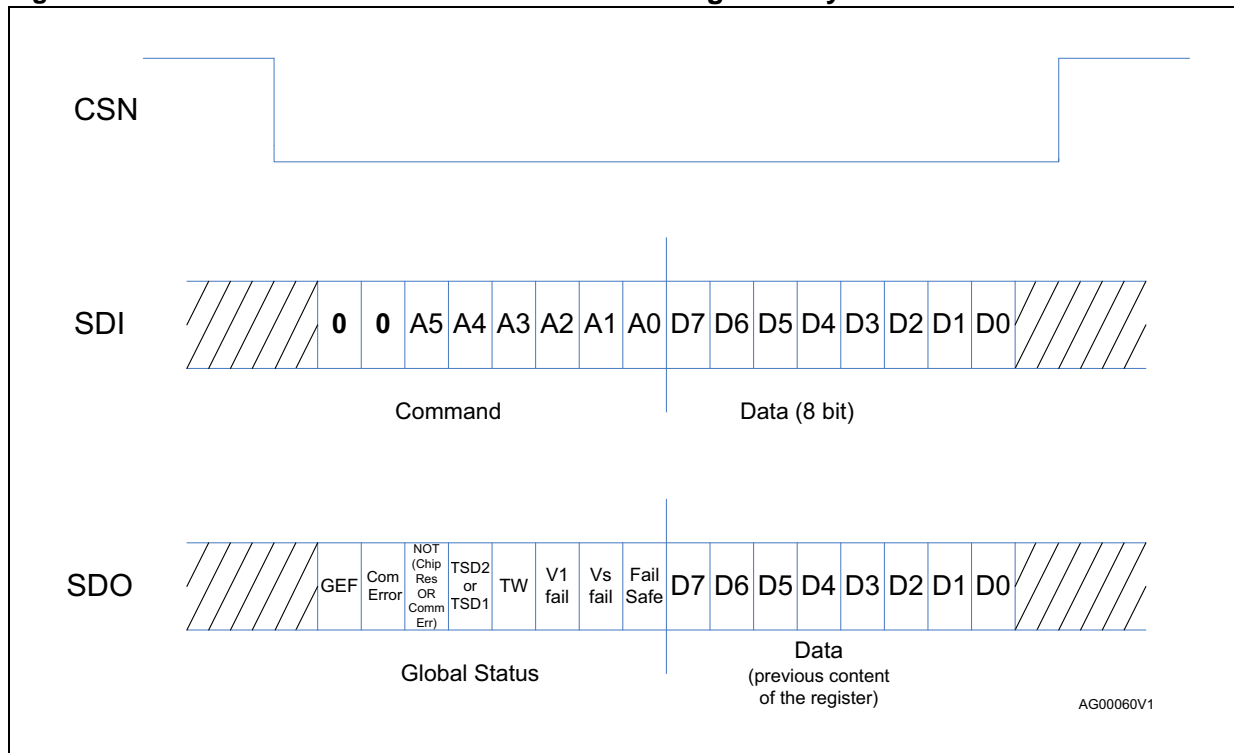
**Table 42. Format of data shifted out at SDO during write cycle: data byte**

MSB	Previous content of addressed register						LSB
D7	D6	D5	D4	D3	D2	D1	D0

Failures are indicated by activating the corresponding bit of the <Global Status> register.

The returned data byte represents the previous content of the accessed register.

**Figure 22. Format of data shifted out at SDO during write cycle**



### 7.1.9 Read operation

The Read operation starts with a Command Byte followed by 1 data byte.

The content of the data byte is 'don't care'. The content of the addressed register is shifted out at SDO within the same frame ('in-frame response').

**Table 43. Read command format**

MSB								LSB
<b>Command byte</b>								
Op code		Address						
0	1	A5	A4	A3	A2	A1	A0	
<b>Data byte</b>								
0	0	0	0	0	0	0	0	

OC0, OC1: operating code (01 for 'read' mode)

A0 to A5: address bits

### 7.1.10 Format of data shifted out at SDO during read cycle

**Table 44. Format of data shifted out at SDO during read cycle: global status register**

Bit 7	Bit 6	Bit 5	Bit 4	Bit 3	Bit 2	Bit 1	Bit 0
Global error flag (GEF)	Comm error	Not (chip reset or comm error)	TSD2 or TSD1	TW	V <sub>1</sub> fail	V <sub>S</sub> fail (OV/UV)	Fail safe

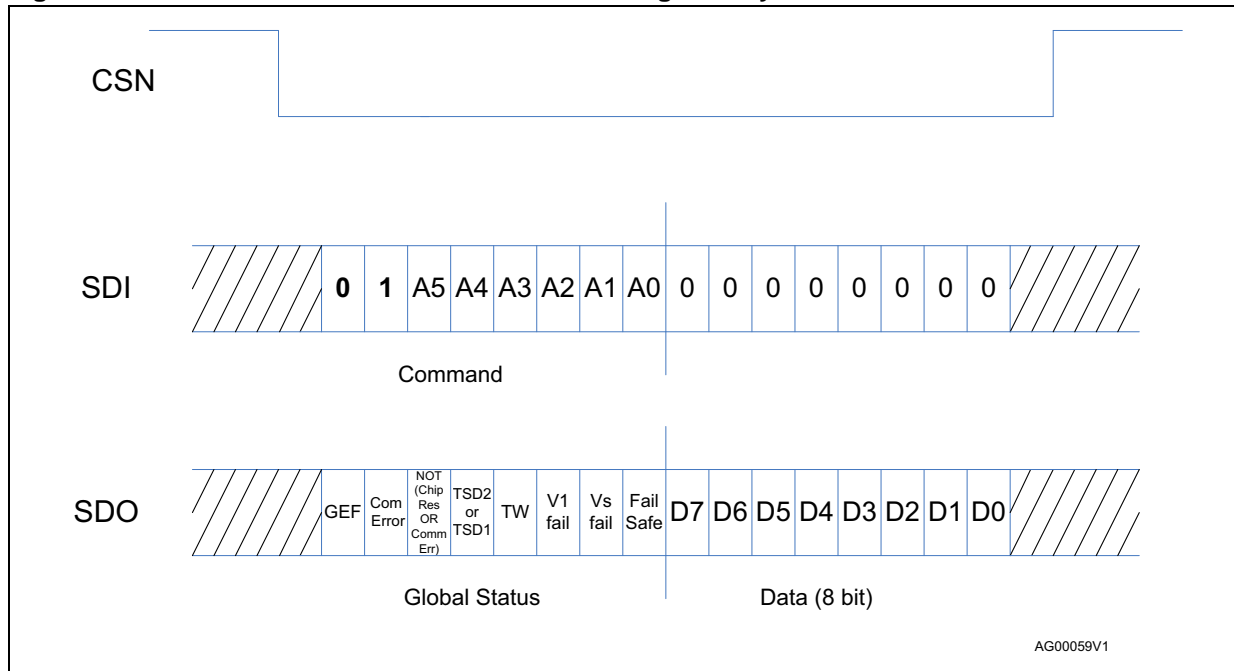
**Table 45. Format of data shifted out at SDO during read cycle: data byte**

MSB	Previous content of addressed register						LSB
D7	D6	D5	D4	D3	D2	D1	D0

Failures are indicated by activating the corresponding bit of the <Global Status> register.

The returned data byte represents the content of the register to be read.

Figure 23. Format of data shifted out at SDO during read cycle



### 7.1.11 Read and clear status operation

The ‘Read and Clear Status’ operation starts with a command byte followed by 1 data byte. The content of the data byte is ‘don’t care’. The content of the addressed Status Register is transferred to SDO within the same frame (‘in-frame response’) and is subsequently cleared.

A ‘Read and Clear Status’ operation with address 3FH clears all Status registers (incl. the <Global Status> register). The Configuration Register is read by this operation.

Table 46. Read and clear status’ command format’

MSB								LSB
<b>Command byte</b>								
Op code		Address						
1	0	A5	A4	A3	A2	A1	A0	
<b>Data byte</b>								
0	0	0	0	0	0	0	0	

OC0, OC1: operating code (10 for ‘read and clear status’ mode)

A0 to A5: address bits

**7.1.12 Format of data shifted out at SDO during ‘Read and Clear Status’ operation**

**Table 47. Format of data shifted out at SDO during ‘Read and Clear Status’ operation: global status register**

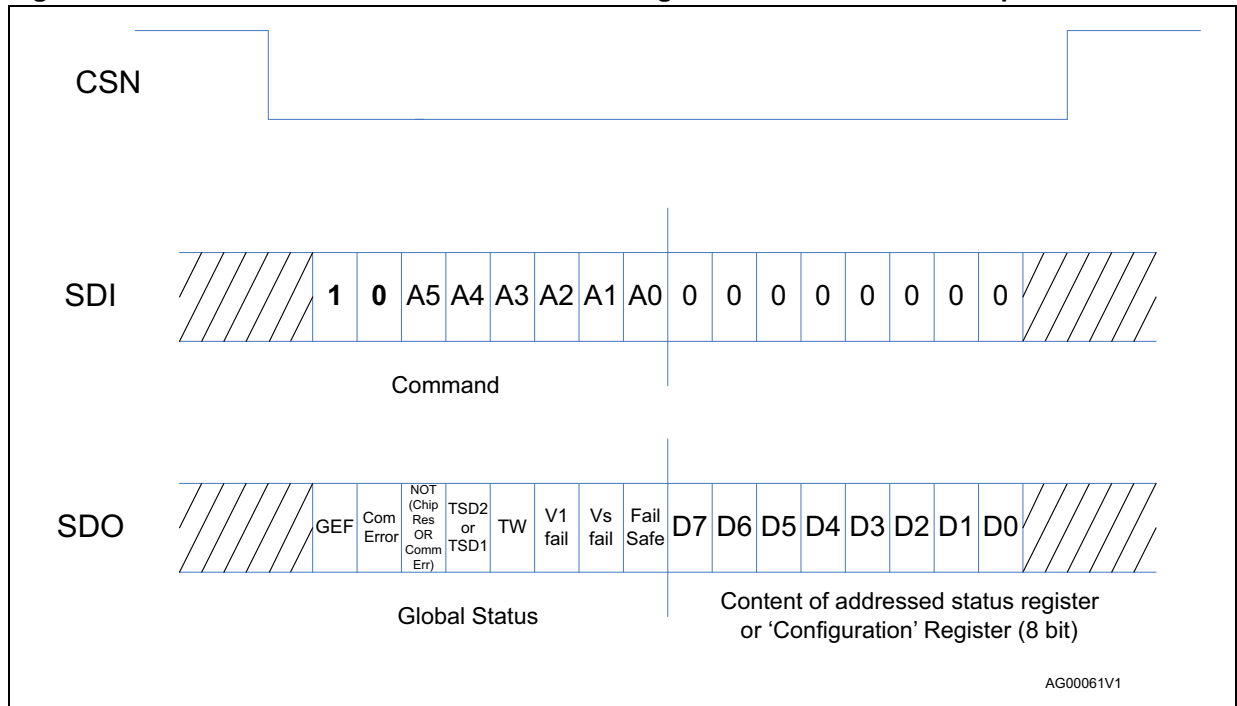
Bit 7	Bit 6	Bit 5	Bit 4	Bit 3	Bit 2	Bit 1	Bit 0
Global error flag (GEF)	Comm error	Not (chip reset or comm error)	TSD2 or TSD1	TW	V <sub>1</sub> fail	V <sub>S</sub> fail (OV/UV)	Fail safe

**Table 48. Format of data shifted out at SDO during read cycle: data byte**

MSB	Previous content of addressed register						LSB
D7	D6	D5	D4	D3	D2	D1	D0

Failures are indicated by activating the corresponding bit of the <Global Status> register. The returned data byte represents the content of the register to be read.

**Figure 24. Format of data shifted out at SDO during ‘Read and Clear Status’ operation**



### 7.1.13 Read device information

The device information is stored at the ROM addresses defined below and is read using the respective operating code.

**Table 49. Read device information**

Op code		Address	Device information
OC1	OC0		
1	1	3FH	Reserved
1	1	3EH	<SPI frame ID> Includes frame width and availability of watchdog = 41H
1	1	04H to 3DH	Unused
1	1	03H	<product code 2> Unique product identifier; content = 4BH
1	1	02H	<product code 1> Unique product identifier; content = 0CH
1	1	01H	<silicon version> Indicates design version
1	1	00H	<ID Header> Device family, max address of device information. Content: 43H

The <ID-Header> (00H) indicates the product family and specifies the highest address which contains product information (the standard value, i.e. no additional product information registers are present, is 03H → content of ID-Header is: XX00 0011)

**Table 50. ID-Header**

Bit 7	Bit 6	Bit 5	Bit 4	Bit 3	Bit 2	Bit 1	Bit 0
Family identifier		Highest address containing device information					

**Table 51. Family identifier**

Bit 7	Bit 6	Meaning
0	0	VIPower
0	1	BCD
1	0	VIPower hybrid
1	1	Tbd

The <Product Code 1> (02H) and <Product Code 2> (03H) represents a unique code to identify the product name. The code is specified in the device datasheet.

The <Silicon Version> (01H) provides information about the silicon version according to the table below:



**Table 52. Silicon version**

Bit 7	Bit 6	Bit 5	Bit 4	Bit 3	Bit 2	Bit 1	Bit 0
Reserved				Silicon version			

Definition of the silicon version code:

**Table 53. Silicon version code**

Bit3	Bit 2	Bit 1	Bit 0	Silicon version
0	0	0	0	First Silicon
0	0	0	1	V2
0	0	1	0	V3
0	0	1	1	V4
0	1	0	0	V5
0	1	0	1	V6
0	1	1	0	V7
0	1	1	1	V8
1	...	...	...	...

The <SPI-frame-ID> (ROM address 3EH) provides information about the register width (1, 2, 3 bytes) and the availability of 'Burst Mode Read' and watchdog.

**Table 54. SPI-frame-ID**

Bit 7	Bit 6	Bit 5	Bit 4	Bit 3	Bit 2	Bit 1	Bit 0
BR	WD	X	X	X	32-bit	24-bit	16-bit

BR: Burst-Mode Read (1 = Burst-Mode Read is supported)

WD: Watchdog (1 = available, 0 = not available)

32-bit, 24-bit, 16-bit: width of SPI frame (see table below)

## 7.2 SPI registers

Overview command byte

**Table 55. SPI register: command byte**

Read/write		Address					
x	x	x	x	x	x	x	x

**Table 56. SPI register: mode selection**

Read/write		Mode selection
0	0	Write
0	1	Read
1	0	Read and clear
1	1	Read device info

**Table 57. SPI register: CTRL register selection**

CTRL register 1, 2						CTRL register selection
0	0	0	0	0	1	CTRL register1
0	0	0	0	1	0	CTRL register2

**Table 58. SPI register: STAT register selection**

STAT register. 1...4						STAT register selection
0	1	0	0	0	1	STAT register1
0	1	0	0	1	0	STAT register2
0	1	0	0	1	1	STAT register3
0	1	0	1	0	0	STAT register4

Overview of control register data bytes

**Table 59. Overview of control register data byte**

	1 <sup>st</sup> data byte							
	Control register 1							
Defaults	1	1	1	1	0	0	0	0
Funct.	OUT2_2	OUT2_1	OUT1_2	OUT1_1	ICMP	Sandby select	Go standby	TRIG
Group	HS control				Mode control			
	Control register 2							
Defaults	0	0	0	1	0	1	1	1
Funct.	REL2	REL1	VSM EN	Reset level	LIN Flash	LIN TXD timeout enable	OUT UV shutdown enable	LSOVUV shutdown enable
Group	LS control			Other control				

**Control Register 1**

**Table 60. Control register 1**

Command byte								1 <sup>st</sup> data byte
Read/ write		Address						
x	x	0	0	0	0	0	1	Data, 8bit

**Table 61. Control register 1, 1<sup>st</sup> data byte**

Group	HS control				Mode control			
Defaults	1	1	1	1	0	0	0	0
Funct.	OUT2_2	OUT2_1	OUT1_2	OUT1_1	ICMP	Standby select	Go standby	TRIG

**Table 62. Control register 1, bits**

Bit	Name	Comment																																		
7	OUT2	Select mode of OUT2																																		
6		<table border="1"> <thead> <tr> <th>OUT2_2</th> <th>OUT2_1</th> <th>Active mode</th> <th>V<sub>1</sub>-standby</th> <th>V<sub>BAT</sub>-standby</th> </tr> </thead> <tbody> <tr> <td>0</td> <td>0</td> <td colspan="3">Off</td> </tr> <tr> <td>0</td> <td>1</td> <td colspan="3">On</td> </tr> <tr> <td rowspan="2">1</td> <td rowspan="2">0</td> <td>VSM enable</td> <td rowspan="2">Direct drive</td> <td rowspan="2">Off</td> </tr> <tr> <td>0</td> <td>Direct drive</td> </tr> <tr> <td rowspan="2">1</td> <td rowspan="2">1</td> <td>VSM enable</td> <td rowspan="2">Direct drive</td> <td rowspan="2">Off</td> </tr> <tr> <td>0</td> <td>Direct drive</td> </tr> <tr> <td></td> <td></td> <td>1</td> <td>Off</td> <td></td> </tr> </tbody> </table>	OUT2_2	OUT2_1	Active mode	V <sub>1</sub> -standby	V <sub>BAT</sub> -standby	0	0	Off			0	1	On			1	0	VSM enable	Direct drive	Off	0	Direct drive	1	1	VSM enable	Direct drive	Off	0	Direct drive			1	Off	
		OUT2_2	OUT2_1	Active mode	V <sub>1</sub> -standby	V <sub>BAT</sub> -standby																														
		0	0	Off																																
		0	1	On																																
		1	0	VSM enable	Direct drive	Off																														
				0			Direct drive																													
1		1	VSM enable	Direct drive	Off																															
			0			Direct drive																														
			1	Off																																

*Note:* *Note: In Direct Drive, Pin DRV/VSOUT, can be used as an input to directly switch on/off OUT2*

**Table 62. Control register 1, bits (continued)**

Bit	Name	Comment																															
5	OUT1	Select mode of OUT1																															
4		<table border="1"> <thead> <tr> <th>OUT2_2</th> <th>OUT2_1</th> <th>Active mode</th> <th>V<sub>1-standby</sub></th> <th>V<sub>BAT-standby</sub></th> </tr> </thead> <tbody> <tr> <td>0</td> <td>0</td> <td>Off</td> <td></td> <td></td> </tr> <tr> <td>0</td> <td>1</td> <td>On</td> <td></td> <td></td> </tr> <tr> <td rowspan="3">1</td> <td rowspan="3">0</td> <td> <table border="1"> <thead> <tr> <th>VSM enable</th> <th></th> </tr> </thead> <tbody> <tr> <td>0</td> <td>Direct drive</td> </tr> <tr> <td>1</td> <td>Off</td> </tr> </tbody> </table> </td> <td rowspan="3">Direct drive</td> <td rowspan="3">Off</td> </tr> <tr> <td>1</td> <td>1</td> <td>FSO</td> <td>FSO</td> <td>FSO</td> </tr> </tbody> </table>	OUT2_2	OUT2_1	Active mode	V <sub>1-standby</sub>	V <sub>BAT-standby</sub>	0	0	Off			0	1	On			1	0	<table border="1"> <thead> <tr> <th>VSM enable</th> <th></th> </tr> </thead> <tbody> <tr> <td>0</td> <td>Direct drive</td> </tr> <tr> <td>1</td> <td>Off</td> </tr> </tbody> </table>	VSM enable		0	Direct drive	1	Off	Direct drive	Off	1	1	FSO	FSO	FSO
		OUT2_2	OUT2_1	Active mode	V <sub>1-standby</sub>	V <sub>BAT-standby</sub>																											
		0	0	Off																													
		0	1	On																													
		1	0	<table border="1"> <thead> <tr> <th>VSM enable</th> <th></th> </tr> </thead> <tbody> <tr> <td>0</td> <td>Direct drive</td> </tr> <tr> <td>1</td> <td>Off</td> </tr> </tbody> </table>	VSM enable		0	Direct drive	1	Off	Direct drive	Off																					
VSM enable																																	
0	Direct drive																																
1	Off																																
1	1	FSO	FSO	FSO																													
<p><i>Note:</i> In Direct Drive, Pin DRV/VSO<sub>UT</sub>, can be used as an input to directly switch on/off OUT1</p> <p>To change the setting for OUT1 from FSO (default) to normal output configuration (ON/OFF or Direct Drive) a SPI safety sequence Needs to be followed. First write command with a specific pattern to CONF Register needs to be provided in order to enable the write access</p> <p>For configuration bits of OUT1. With an SPI write command to Control Register 1 the bits for OUT1 can be modified.</p> <p>The Write command to Control Register 1 must follow the write command to the CONF Register (no other SPI command in between these 2 commands)</p> <p>Safety Sequence:</p> <ul style="list-style-type: none"> <li>– Write to Conf Register (0x0011 1111; 1010 101x) x: don't care for unlocking sequence but according to description of watchdog timing</li> <li>– Write to Ctrl Register 1 (0x0000 0001; xxxx xxxx) x: values according to description of Ctrl Reg1</li> </ul>																																	
3	ICMP	V <sub>1</sub> load current supervision – 0: enabled; watchdog is disabled in V <sub>1-standby</sub> when the V <sub>1loadcurrent</sub> < I <sub>CMPthreshold</sub> – 1: disabled; Watchdog is automatically disabled when V <sub>1-standby</sub> is entered																															
2	Stby Select	Select standby mode – 0: V <sub>BAT-standby</sub> mode – 1: V <sub>1-standby</sub> mode																															
1	Go Stby	Execute standby mode – 0: no action – 1: execute standby mode																															
0	TRIG	Trigger bit for watchdog																															

**Control Register 2**

**Table 63. Control register 2**

Command byte								1 <sup>st</sup> data byte
Read/ write		Address						
x	x	0	0	0	0	1	0	Data, 8bit

**Table 64. Control register 2, 1<sup>st</sup> data byte**

Group	LS control		Other control					
Defaults	0	0	0	1	0	1	1	1
Function	REL2	REL1	VSM enable	Reset level	LIN Flash	LIN TXD timeout enable	OUT UV shutdown enable	LSOVUV shutdown enable

**Table 65. Control register 2, bits**

Bit	Name	Comment																																						
7	REL2	Select mode of REL2																																						
		<table border="1"> <thead> <tr> <th>REL2</th> <th>Active mode</th> <th>V<sub>1</sub> standby</th> <th>V<sub>BAT</sub> standby</th> </tr> </thead> <tbody> <tr> <td>0</td> <td colspan="3">REL2 off</td> </tr> <tr> <td>1</td> <td>REL2 on</td> <td colspan="2">REL2 off</td> </tr> </tbody> </table>	REL2	Active mode	V <sub>1</sub> standby	V <sub>BAT</sub> standby	0	REL2 off			1	REL2 on	REL2 off																											
		REL2	Active mode	V <sub>1</sub> standby	V <sub>BAT</sub> standby																																			
		0	REL2 off																																					
1	REL2 on	REL2 off																																						
6	REL1	Select mode of REL1																																						
		<table border="1"> <thead> <tr> <th>REL2</th> <th>Active mode</th> <th>V<sub>1</sub> standby</th> <th>V<sub>BAT</sub> standby</th> </tr> </thead> <tbody> <tr> <td>0</td> <td colspan="3">REL1 off</td> </tr> <tr> <td>1</td> <td>REL1 on</td> <td colspan="2">REL1 off</td> </tr> </tbody> </table>	REL2	Active mode	V <sub>1</sub> standby	V <sub>BAT</sub> standby	0	REL1 off			1	REL1 on	REL1 off																											
		REL2	Active mode	V <sub>1</sub> standby	V <sub>BAT</sub> standby																																			
		0	REL1 off																																					
1	REL1 on	REL1 off																																						
5	VSM enable	Select Pin DRV/VSOUT as input/output																																						
		<table border="1"> <thead> <tr> <th>VSM enable</th> <th colspan="3">Active mode</th> <th>V<sub>1</sub> standby</th> <th>V<sub>BAT</sub> standby</th> </tr> </thead> <tbody> <tr> <td>0</td> <td colspan="5">DRV/VSOUT pin used as input (direct drive)<sup>(1)</sup></td> </tr> <tr> <td rowspan="4">1</td> <td>OUT2_2</td> <td>OUT2_1</td> <td colspan="3">DRV/VSOUT used as</td> </tr> <tr> <td>0</td> <td>0</td> <td colspan="3">Output (V<sub>S</sub>/5 voltage)</td> </tr> <tr> <td>0</td> <td>1</td> <td colspan="3">Output (V<sub>S</sub>/5 voltage)</td> </tr> <tr> <td>1</td> <td>0</td> <td colspan="3">Output (T<sub>SENSE</sub> voltage)</td> </tr> <tr> <td>1</td> <td>1</td> <td colspan="3">Output (V<sub>S</sub>/5 voltage)</td> </tr> </tbody> </table>	VSM enable	Active mode			V <sub>1</sub> standby	V <sub>BAT</sub> standby	0	DRV/VSOUT pin used as input (direct drive) <sup>(1)</sup>					1	OUT2_2	OUT2_1	DRV/VSOUT used as			0	0	Output (V <sub>S</sub> /5 voltage)			0	1	Output (V <sub>S</sub> /5 voltage)			1	0	Output (T <sub>SENSE</sub> voltage)			1	1	Output (V <sub>S</sub> /5 voltage)		
		VSM enable	Active mode			V <sub>1</sub> standby	V <sub>BAT</sub> standby																																	
		0	DRV/VSOUT pin used as input (direct drive) <sup>(1)</sup>																																					
		1	OUT2_2	OUT2_1	DRV/VSOUT used as																																			
			0	0	Output (V <sub>S</sub> /5 voltage)																																			
0	1		Output (V <sub>S</sub> /5 voltage)																																					
1	0		Output (T <sub>SENSE</sub> voltage)																																					
1	1	Output (V <sub>S</sub> /5 voltage)																																						
DRV/VSOUT pin used as input (direct drive) <sup>(1)</sup>																																								

1. Usage of Direct Drive feature is not only related to the configuration of DRV/VSOUT as an input. Refer to truth table of OUT4/3 for the direct drive feature.

Table 65. Control register 2, bits

Bit	Name	Comment
4	Reset level	Select $V_1$ reset level – 0: 3.5 V – 1: 4.6 V
3	LIN Flash	Select maximum LIN communication speed – 0: 20 kbit/s – 1: 100 kbit/s
2	LIN TXD timeout enable	Enable / disable monitoring of TxD – 0: no TxD monitoring – 1: TxD monitoring; LIN transmitter is switched off if TXDL is dominant for $t > 12$ ms
1	OUT UV shutdown enable	Select undervoltage shutdown for HS driver – 0: no undervoltage shutdown – 1: undervoltage shutdown
0	LS OVUV shutdown enable	Shutdown of LS drivers in case of overvoltage / undervoltage 0: no shutdown of low sides in case of overvoltage / undervoltage 1: shutdown low sides in case of overvoltage / undervoltage

## 7.2.1 Status register

**Table 66. Overview of status register data bytes**

1 <sup>st</sup> data byte								
Status register 1								
Funct.	OV	UV	OL OUT2	OL OUT1	OC OUT2	OC OUT1	OC REL2	OC REL1
Group	Diagnosis 1							
Status register 2								
Funct.	Res	LIN perm dom	LIN TXD dom	LIN perm rec	Res	LIN Wake	Device State	Device State
Group	Diagnosis 2							
Status register 3								
Funct.	WD Fail	WD Fail	WD Fail	WD Fail	Forced sleep WD	Forced sleep TSD/ShtV1	WD timer state1	WD timer state0
Group	Diagnosis 3							
Status register 4								
Funct.	V <sub>1</sub> UV warn	V <sub>1</sub> restart	V <sub>1</sub> restart	V <sub>1</sub> restart	V <sub>1</sub> fail	TSD2	TSD1	TW
Group	Diagnosis 4							

**Table 67. Global status register**

Bit 7	Bit 6	Bit 5	Bit 4	Bit 3	Bit 2	Bit 1	Bit 0
Global error flag	Communication error <sup>(1)</sup>	NOT (chip reset or comm. error i.e. cold start <sup>(2)</sup> )	TSD2 or TSD1 <sup>(3)</sup>	TW	V <sub>1</sub> fail	Vs Fail (OV/UV)	Fail safe <sup>(4)</sup>

1. Invalid CLOCK COUNT
2. Cleared with CLR command on SR3
3. Cleared with "READ and CLEAR" on SR4
4. Cleared with a valid WD trigger (WD fail) or by clearing the corresponding status register related to failure

### Status Register 1

**Table 68. Status register 1, command and data byte**

Command byte								1 <sup>st</sup> data byte
Read/write		Address						
x	x	0	1	0	0	0	1	Data, 8bit

**Table 69. Status register 1, data byte**

		1 <sup>st</sup> data byte						
Function	OV	UV	OL OUT2	OL OUT1	OC OUT2	OC OUT1	OC REL2	OC REL1
Group	Diagnosis 1							

**Table 70. Status register 1, bits**

Bit	Name	Comment
7	OV	Overvoltage event occurred since last read out Bit is latched until a "Read and clear" access
6	UV	Undervoltage event occurred since last read out Bit is latched until a "Read and clear" access
5	OL OUT2	Open-load event occurred since last read out Bit is latched until a "read and clear" access
4	OL OUT1	
3	OC OUT2	Overcurrent event occurred since last read out Bit is latched until a "read and clear" access
2	OC OUT1	
1	OC REL2	
0	OC REL1	

**Status Register 2**

**Table 71. Status register 2, command and data byte**

Command byte								1 <sup>st</sup> data byte
Read/write		Address						
x	x	0	1	0	0	1	0	Data, 8bit

**Table 72. Status register 2, data byte**

		1 <sup>st</sup> data byte						
Function	Res	LIN perm dom	LIN TXD dom	LIN perm rec	Res	LIN wake	Device state	Device state
Group	Diagnosis 2							

**Table 73. Status register 2, bits**

Bit	Name	Comment
7	Res	Reserved
6	LIN perm dom	LIN bus is dominant for t > 12 ms Bit is latched until a "Read and clear" access
5	LIN TXD dom	TxDL pin is dominant for t > 12 ms; Transmitter is disabled; Bit is latched until a "Read and clear" access



**Table 73. Status register 2, bits (continued)**

Bit	Name	Comment												
4	LIN perm rec	LIN bus does not follow TxDL within 40 $\mu$ s; Transmitter is disabled; Bit is latched until a "Read and clear" access												
3	Res	Reserved												
2	LIN wake	Wake up from LIN; Bit is latched until a "Read and clear" access												
1	Device state	State from which the device woke up												
0	Device State	<table border="1"> <thead> <tr> <th>Device state</th> <th>Device state</th> <th>State from which the device woke up</th> </tr> </thead> <tbody> <tr> <td>0</td> <td>0</td> <td>Active</td> </tr> <tr> <td>0</td> <td>1</td> <td>V<sub>1-standby</sub></td> </tr> <tr> <td>1</td> <td>0</td> <td>V<sub>BAT-standby</sub></td> </tr> </tbody> </table>	Device state	Device state	State from which the device woke up	0	0	Active	0	1	V <sub>1-standby</sub>	1	0	V <sub>BAT-standby</sub>
		Device state	Device state	State from which the device woke up										
		0	0	Active										
		0	1	V <sub>1-standby</sub>										
1	0	V <sub>BAT-standby</sub>												
Bit is latched until a "read and clear access".														
After a "read and clear access", the device state is updated.														
After a wake up, device state is														
– 01: V <sub>1-standby</sub>														
– 10: V <sub>BAT-standby</sub>														

**Status Register 3****Table 74. Status register 3, command and data byte**

Command byte								1 <sup>st</sup> data byte
Read/write		Address						
x	x	0	1	0	0	1	1	Data, 8bit

**Table 75. Status register 3, data byte**

	1 <sup>st</sup> data byte							
Function	WD fail_3	WD fail_2	WD fail_1	WD fail_0	Forced sleep WD	Forced sleep TSD/ShtV1	WD timer State_1	WD timer State_0
Group	Diagnosis 3							

**Table 76. Status register 3, bits**

Bit	Name	Comment
7	WD fail_3	Number of missing watchdog triggers (15 missing Watchdog trigger forces the device into V <sub>BAT-standby</sub> ). Bits are not clearable; are cleared with a proper Watchdog trigger
6	WD fail_2	
5	WD fail_1	
4	WD fail_0	

**Table 76. Status register 3, bits (continued)**

Bit	Name	Comment												
3	Forced sleep WD	Device was forced to VBAT mode because of multiple watchdog errors Bits are latched until a read and clear access												
2	Forced sleep TSD/ShtV1	Device was forced to VBAT or multiple thermal shutdown events or a short on V <sub>1</sub> during start-up. Bits are latched until a read and clear access												
1	WD timer state_1	Status of watchdog counter of selected watchdog timing  <table border="1" style="margin-left: 20px;"> <thead> <tr> <th>WD_timer_state_1</th> <th>WD_timer_state_0</th> <th>Counter</th> </tr> </thead> <tbody> <tr> <td>0</td> <td>0</td> <td>0% - 33%</td> </tr> <tr> <td>0</td> <td>1</td> <td>33% - 66%</td> </tr> <tr> <td>1</td> <td>1</td> <td>66% - 100%</td> </tr> </tbody> </table> Bits are not clearable	WD_timer_state_1	WD_timer_state_0	Counter	0	0	0% - 33%	0	1	33% - 66%	1	1	66% - 100%
WD_timer_state_1	WD_timer_state_0		Counter											
0	0		0% - 33%											
0	1		33% - 66%											
1	1	66% - 100%												
0	WD timer state_0													

**Status Register 4**

**Table 77. Status register 4, command and data byte**

Command byte								1 <sup>st</sup> data byte
Read/write		Address						
x	x	0	1	0	1	0	0	Data, 8bit

**Table 78. Status register 4, data byte**

	1 <sup>st</sup> data byte							
Function	V <sub>1</sub> UV warn	V <sub>1</sub> restart_2	V <sub>1</sub> restart_1	V <sub>1</sub> restart_0	V <sub>1</sub> fail	TSD2	TSD1	TW
Group	Diagnosis 4							

**Table 79. Status register 4, bits**

Bit	Name	Comment
7	V <sub>1</sub> UV warn	V <sub>1</sub> undervoltage pre-warning (V <sub>1</sub> < 4.5 V) Bit is latched until a read and clear access
6	V <sub>1</sub> restart_2	Number of TSD2 events which caused a restart of V <sub>1</sub> regulator (7 TSD2 events forces the device into V <sub>BAT-standby</sub> ) Bits are latched until a read and clear access
5	V <sub>1</sub> restart_1	
4	V <sub>1</sub> restart_0	
3	V <sub>1</sub> fail	V <sub>1</sub> fail (V <sub>1</sub> < 2 V for t > 2 μs) event occurred since last read out Bit is latched until a “read and clear access”

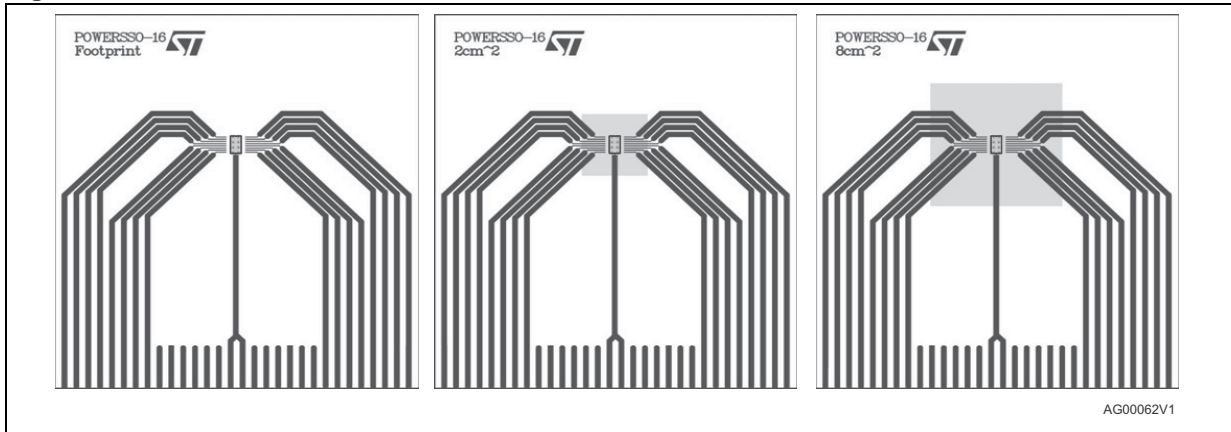
**Table 79. Status register 4, bits (continued)**

Bit	Name	Comment
2	TSD2	Thermal warning / shutdown1 / shutdown2 occurred since last readout Bits are latched until a “read and clear access”
1	TSD1	
0	TW	

## 8 Package and PCB thermal data

### 8.1 PowerSSO-16 thermal data

Figure 25. Thermal data of PowerSSO-16



Note: Board finish thickness 1.6 mm +/- 10%; Board double layer; Board dimension 77 x 86; Board Material FR4; Cu thickness 0.070 mm (front and back side); Thermal vias separation 1.2 mm; Thermal via diameter 0.3 mm +/- 0.08 mm; Cu thickness on vias 0.025 mm; Footprint dimension 2.5 mm x 4.2 mm

Figure 26.  $R_{thj-amb}$  vs PCB copper area in open box free air condition

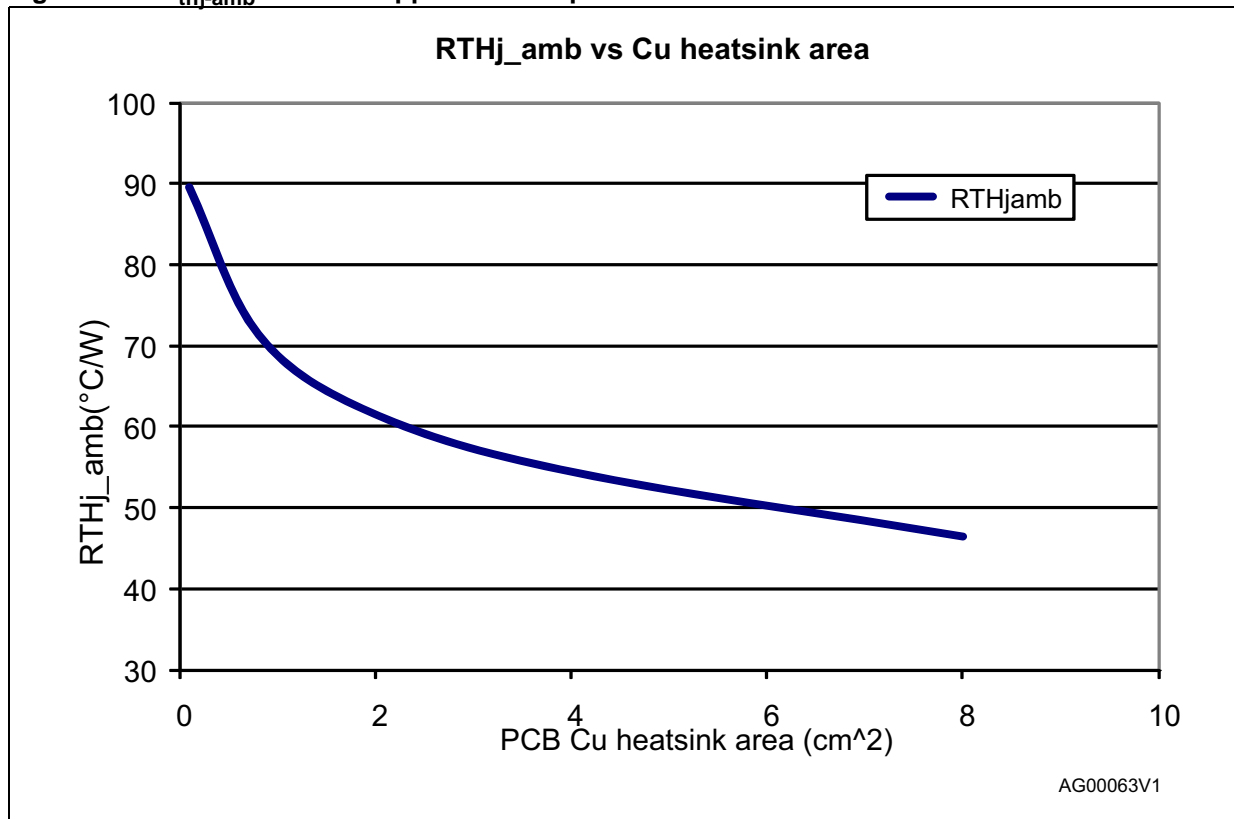


Figure 27.  $V_1$  thermal impedance

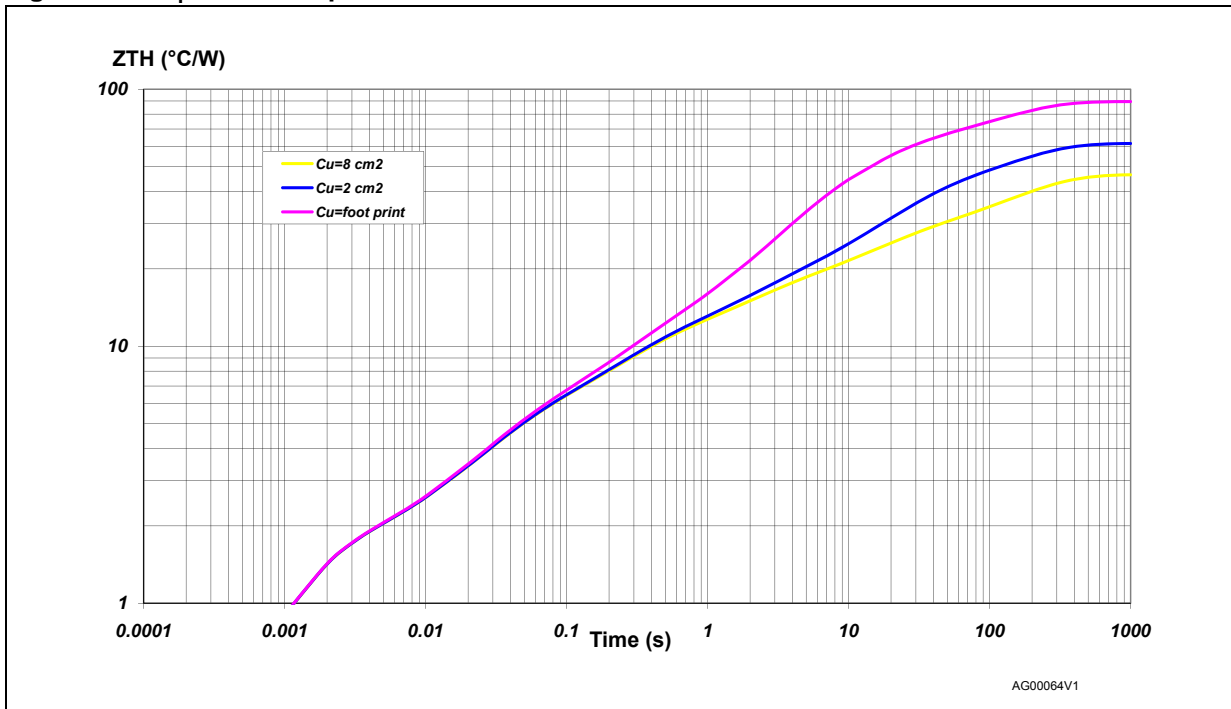
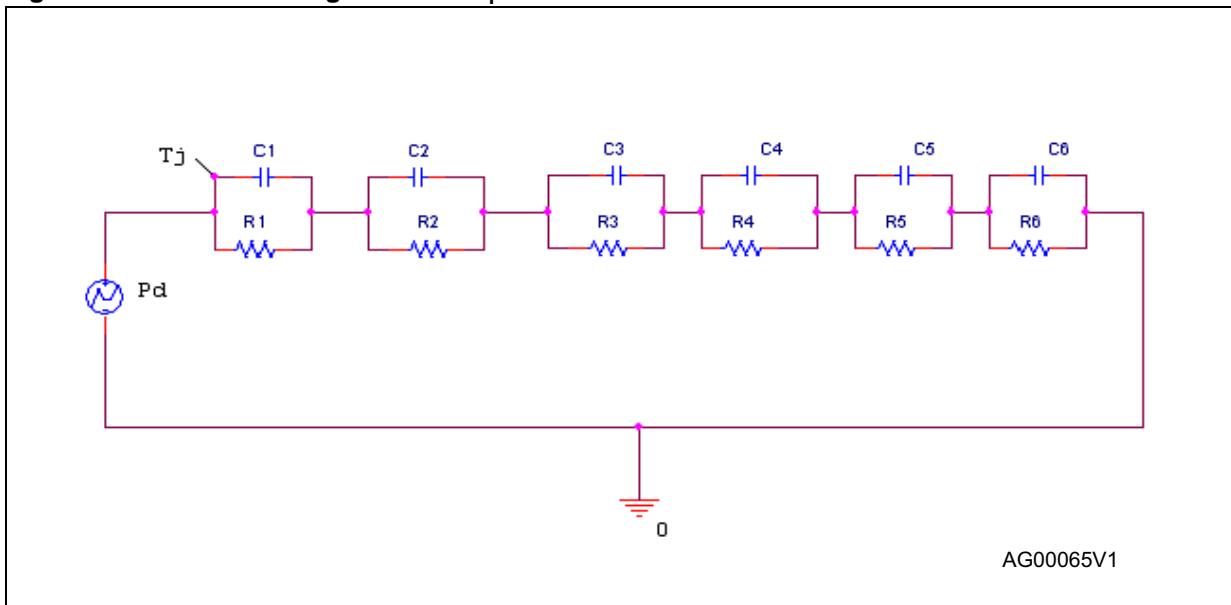


Figure 28. Thermal fitting model of  $V_1$



**Equation 1: pulse calculation formula**

$$Z_{TH\delta} = R_{TH} \cdot \delta + Z_{THp}(1 - \delta)$$

where

$$\delta = t_p/T$$

Table 80. PowerSSO-16 thermal parameter

Area/island (cm <sup>2</sup> )	FP	2	8
R1 (°C/W)	1.5		
R2 (°C/W)	3		
R3 (°C/W)	5		
R4 (°C/W)	20	6	6
R5 (°C/W)	28	21	10
R6 (°C/W)	32	25	21
C1 (W·s/°C)	0.0008		
C2 (W·s/°C)	0.01		
C3 (W·s/°C)	0.05		
C4 (W·s/°C)	0.2	0.3	0.3
C5 (W·s/°C)	0.5	1	1.5
C6 (W·s/°C)	4	6	8

## 9 Package and Packaging Information

### 9.1 ECOPACK®

In order to meet environmental requirements, ST offers these devices in different grades of ECOPACK® packages, depending on their level of environmental compliance. ECOPACK® specifications, grade definitions and product status are available at: [www.st.com](http://www.st.com). ECOPACK® is an ST trademark.

### 9.2 PowerSSO-16 package information

Figure 29. PowerSSO-16 package dimensions

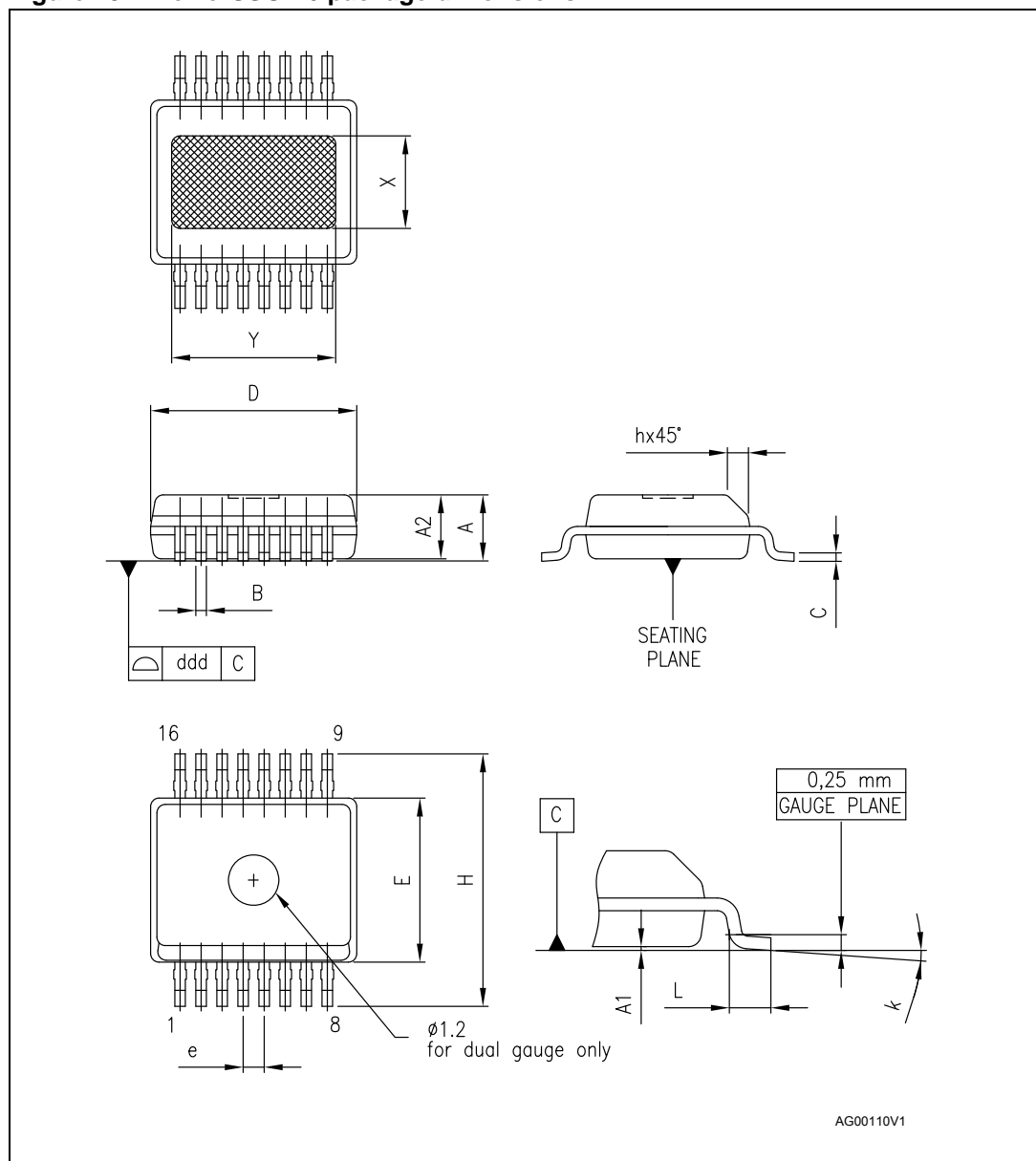


Table 81. PowerSSO-16 mechanical data

Symbol	Millimeters		
	Min.	Typ.	Max.
A	1.25		1.72
A1	0.00		0.10
A2	1.10		1.62
B	0.18		0.36
C	0.19		0.25
D	4.80		5.00
E	3.80		4.00
e		0.50	
H	5.80		6.20
h	0.25		0.50
L	0.40		1.27
k	0°		8°
X	1.90		2.50
Y	3.60		4.20
ddd			0.10



### 9.3 PowerSSO-16 packing information

Figure 30. PowerSSO-16 tube shipment (no suffix)

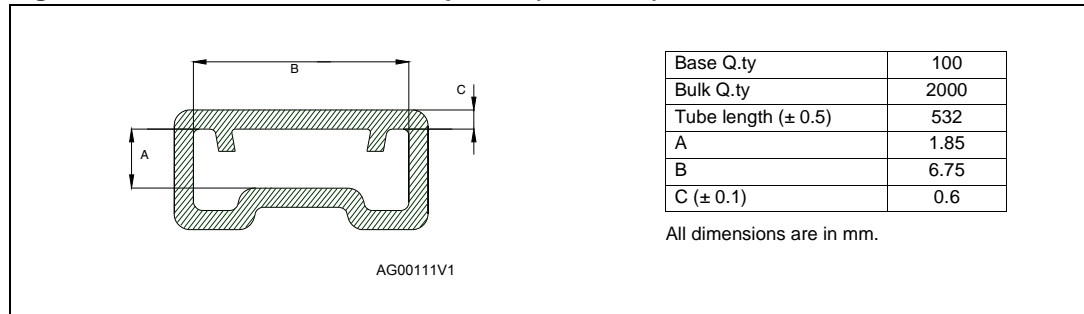
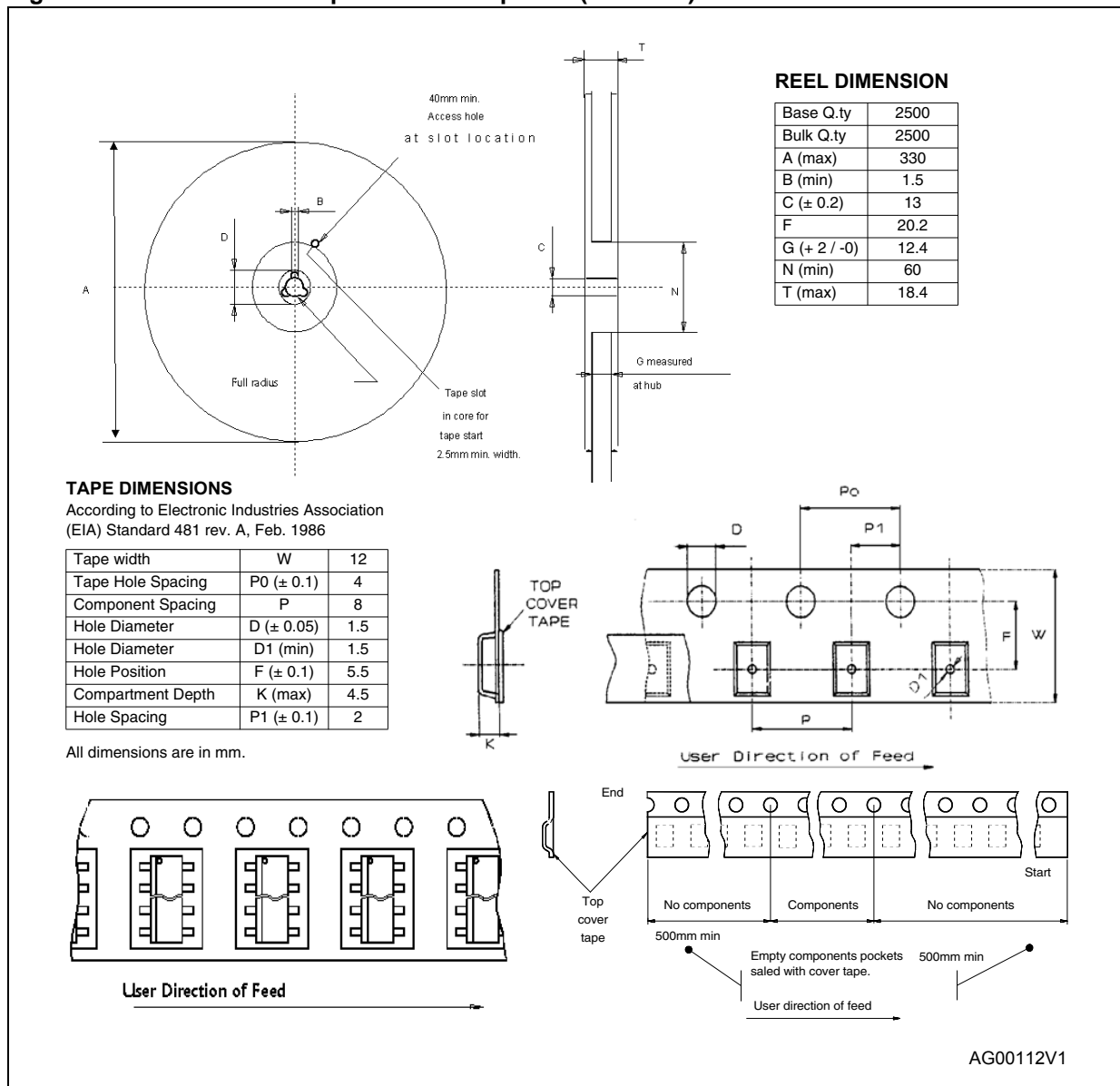


Figure 31. PowerSSO-16 tape and reel shipment (no suffix)



## 10 Revision history

**Table 82. Document revision history**

Date	Revision	Changes
26-Jan-2011	1	Initial release.
09-Mar-2011	2	<p>Updated <a href="#">Section 3.2: Low side driver outputs REL1, REL2</a></p> <p>Updated <a href="#">Figure 8: Recovery after forced VBAT due to multiple watchdog failure</a></p> <p><a href="#">Table 11: Supply and supply monitoring:</a></p> <ul style="list-style-type: none"> <li>– <math>I_{V(BAT)}</math> (<math>V_{1-standby}</math>): updated test condition and minimum, typical and maximum values</li> <li>– <math>I_{V(V1)}</math>: updated typical value</li> </ul> <p><a href="#">Table 13: Power-on reset (<math>V_S</math>)</a></p> <ul style="list-style-type: none"> <li>– <math>V_{POR}</math> (<math>V_S</math> decreasing): updated minimum and typical values</li> </ul> <p><a href="#">Table 14: Voltage regulator <math>V_1</math></a></p> <ul style="list-style-type: none"> <li>– VSTB1: updated minimum and maximum values</li> <li>– <math>I_{CMP\_rise}</math>, <math>I_{CMP\_fail}</math>: updated minimum, typical and maximum values</li> </ul> <p><a href="#">Table 15: Reset output (<math>V_1</math> supervision)</a></p> <ul style="list-style-type: none"> <li>– <math>V_{RT2}</math> (increasing/ decreasing): updated minimum, typical and maximum values</li> </ul> <p><a href="#">Table 17: Output</a></p> <ul style="list-style-type: none"> <li>– IOLD: updated minimum, typical and maximum values</li> </ul> <p><a href="#">Table 18: Relay drivers</a></p> <ul style="list-style-type: none"> <li>– <math>V_Z</math>: added typical value</li> </ul> <p><a href="#">Table 20: Output: VSOUT:</a></p> <ul style="list-style-type: none"> <li>– VSOUT: added minimum and maximum values</li> </ul> <p><a href="#">Table 26: Input: CSN:</a></p> <ul style="list-style-type: none"> <li>– ICSNPU: added minimum and maximum values</li> </ul> <p><a href="#">Table 39: Addressing mapping</a></p> <ul style="list-style-type: none"> <li>– Updated RAM address: inserted Control Register 1</li> </ul>
25-Mar-2011	3	<p>Updated following tables:</p> <ul style="list-style-type: none"> <li>– <a href="#">Table 13: Power-on reset (<math>V_S</math>):</a> <math>V_{POR}</math> decreasing: updated minimum value</li> <li>– <a href="#">Table 14: Voltage regulator <math>V_1</math>:</a> <math>I_{CMP\_rise}</math>: updated minimum value <math>I_{CMP\_fail}</math>: updated minimum and maximum values</li> <li>– <a href="#">Table 15: Reset output (<math>V_1</math> supervision):</a> <math>V_{RT1}</math>: added row <math>V_{RT2}</math>: updated test condition and maximum value</li> </ul>
28-Apr-2011	4	Changed document state from preliminary data to final datasheet
03-Nov-2011	5	<p>Updated <a href="#">Figure 8: Recovery after forced VBAT due to multiple watchdog failure</a></p> <p><a href="#">Table 11: Supply and supply monitoring:</a></p> <ul style="list-style-type: none"> <li>– <math>I_{V(act)}</math>, <math>I_{V(BAT)}</math>, <math>I_{V(V1)}</math>: updated test conditions</li> <li>– <math>I_{V(V1)CS}</math>: added row</li> </ul>
19-Sep-2013	6	Updated disclaimer.

**Please Read Carefully:**

Information in this document is provided solely in connection with ST products. STMicroelectronics NV and its subsidiaries ("ST") reserve the right to make changes, corrections, modifications or improvements, to this document, and the products and services described herein at any time, without notice.

All ST products are sold pursuant to ST's terms and conditions of sale.

Purchasers are solely responsible for the choice, selection and use of the ST products and services described herein, and ST assumes no liability whatsoever relating to the choice, selection or use of the ST products and services described herein.

No license, express or implied, by estoppel or otherwise, to any intellectual property rights is granted under this document. If any part of this document refers to any third party products or services it shall not be deemed a license grant by ST for the use of such third party products or services, or any intellectual property contained therein or considered as a warranty covering the use in any manner whatsoever of such third party products or services or any intellectual property contained therein.

**UNLESS OTHERWISE SET FORTH IN ST'S TERMS AND CONDITIONS OF SALE ST DISCLAIMS ANY EXPRESS OR IMPLIED WARRANTY WITH RESPECT TO THE USE AND/OR SALE OF ST PRODUCTS INCLUDING WITHOUT LIMITATION IMPLIED WARRANTIES OF MERCHANTABILITY, FITNESS FOR A PARTICULAR PURPOSE (AND THEIR EQUIVALENTS UNDER THE LAWS OF ANY JURISDICTION), OR INFRINGEMENT OF ANY PATENT, COPYRIGHT OR OTHER INTELLECTUAL PROPERTY RIGHT.**

**ST PRODUCTS ARE NOT DESIGNED OR AUTHORIZED FOR USE IN: (A) SAFETY CRITICAL APPLICATIONS SUCH AS LIFE SUPPORTING, ACTIVE IMPLANTED DEVICES OR SYSTEMS WITH PRODUCT FUNCTIONAL SAFETY REQUIREMENTS; (B) AERONAUTIC APPLICATIONS; (C) AUTOMOTIVE APPLICATIONS OR ENVIRONMENTS, AND/OR (D) AEROSPACE APPLICATIONS OR ENVIRONMENTS. WHERE ST PRODUCTS ARE NOT DESIGNED FOR SUCH USE, THE PURCHASER SHALL USE PRODUCTS AT PURCHASER'S SOLE RISK, EVEN IF ST HAS BEEN INFORMED IN WRITING OF SUCH USAGE, UNLESS A PRODUCT IS EXPRESSLY DESIGNATED BY ST AS BEING INTENDED FOR "AUTOMOTIVE, AUTOMOTIVE SAFETY OR MEDICAL" INDUSTRY DOMAINS ACCORDING TO ST PRODUCT DESIGN SPECIFICATIONS. PRODUCTS FORMALLY ESCC, QML OR JAN QUALIFIED ARE DEEMED SUITABLE FOR USE IN AEROSPACE BY THE CORRESPONDING GOVERNMENTAL AGENCY.**

Resale of ST products with provisions different from the statements and/or technical features set forth in this document shall immediately void any warranty granted by ST for the ST product or service described herein and shall not create or extend in any manner whatsoever, any liability of ST.

ST and the ST logo are trademarks or registered trademarks of ST in various countries.

Information in this document supersedes and replaces all information previously supplied.

The ST logo is a registered trademark of STMicroelectronics. All other names are the property of their respective owners.

© 2013 STMicroelectronics - All rights reserved

STMicroelectronics group of companies

Australia - Belgium - Brazil - Canada - China - Czech Republic - Finland - France - Germany - Hong Kong - India - Israel - Italy - Japan - Malaysia - Malta - Morocco - Philippines - Singapore - Spain - Sweden - Switzerland - United Kingdom - United States of America

[www.st.com](http://www.st.com)