

Vatronics Technologies Limited

3323 6mm Square Single-Turn Trimmer Potentiometers

Vatronics makes 3323P,3323S,3323U,3323W,3323S,3323V

Electrical•Characteristics

Range•of•resistance $10\Omega—2M\Omega$

Resistance•tolerance $\pm 10\%$

Terminal•resistance $1\%R$ •or• $\leq 2\Omega$

Contact•resistance•variation $CRV \leq 3\%R$ •or• 3Ω

Insulation•resistance $R_e \geq 1G\Omega$

Withstand voltage 500Vdc

Limit current of moving contact 30mA

Effective electrical travel 70% of total mechanical travel



3323

Vatronics Environmental•Characteristics

Rated•power (250Vmax) 0.5W•70••

Temperature•range $-55—+125$ •

TCR $\pm 100\text{ppm}/\text{°C}$ • $\pm 250\text{ppm}/\text{°C}$

Temperature•variation

$-55, 30\text{min}, +125, 30\text{min}$ 5•cycles $\Delta R \leq 3\%R$ • $\Delta(U_{ab}/U_{ac}) \leq 2\%$

Collision 390m/s^2 •4000•cycles $\Delta R \leq 2\%R$

Vibration 10—500HZ•0.75mm, 6h $\Delta R \leq 2\%R$ • $\Delta(U_{ab}/U_{ac}) \leq 3\%$

Climate•category

$\Delta R \leq 3\%R$ • $R_e \geq 100M\Omega$ Endurance•at•70•

0.5W•1000h $\Delta R \leq 3\%R$ • $CRV \leq 3\%R$

Mechanical•endurance 200•cycles $\Delta R \leq 3\%R$ • $CRV \leq 3\%R$

Vatronics

Steady•damp—heat $\Delta R \leq 3\%R$ • $R_e \geq 100M\Omega$

Physical•Characteristics

Total•mechanical•travel $250 \pm 10^\circ$

Starting•torque $\leq 35\text{mN}\cdot\text{m}$

Mark

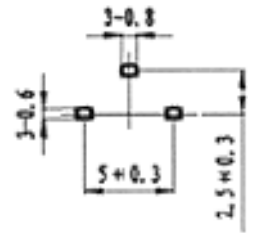
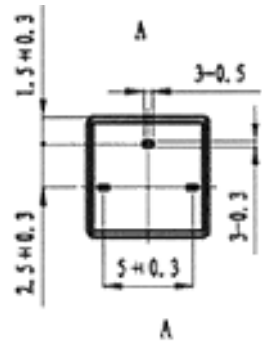
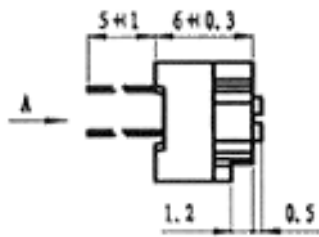
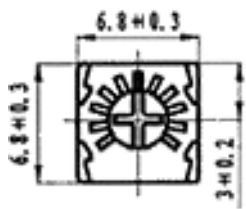
Resistance•code,•resistance•tolerance

($\pm 10\%$ • no•indication),•lot•No

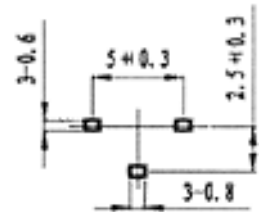
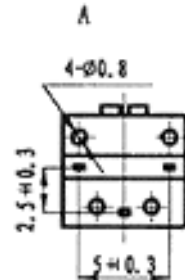
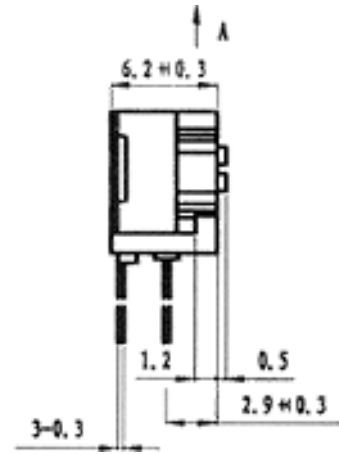
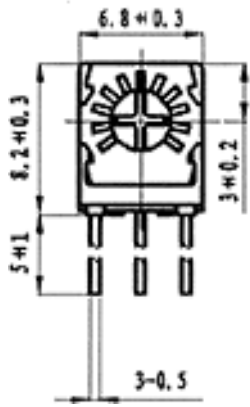
Standard•package 50pcs/tube

Vatronics Technologies Limited

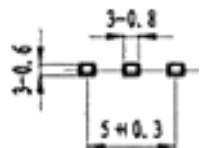
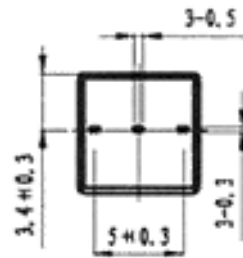
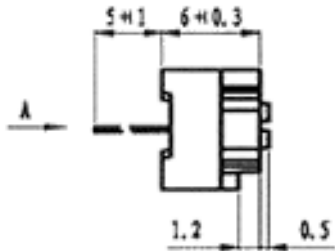
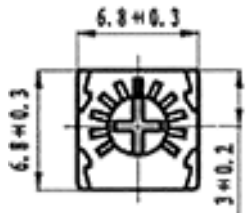
<http://www.vatronics.com> sales@vatronics.com



Vatronics 3323P DRAWING

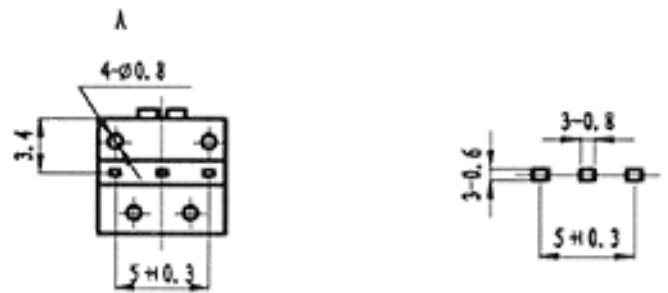
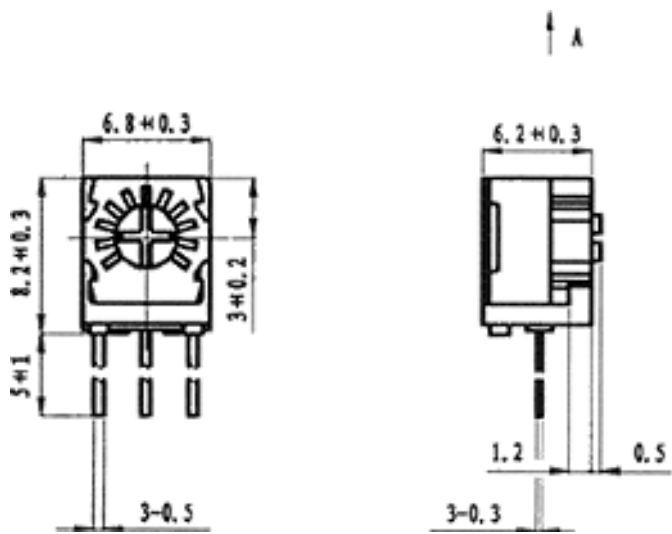


Vatronics 3323S DRAWING

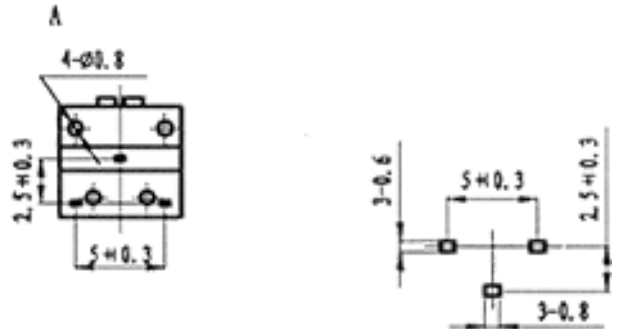
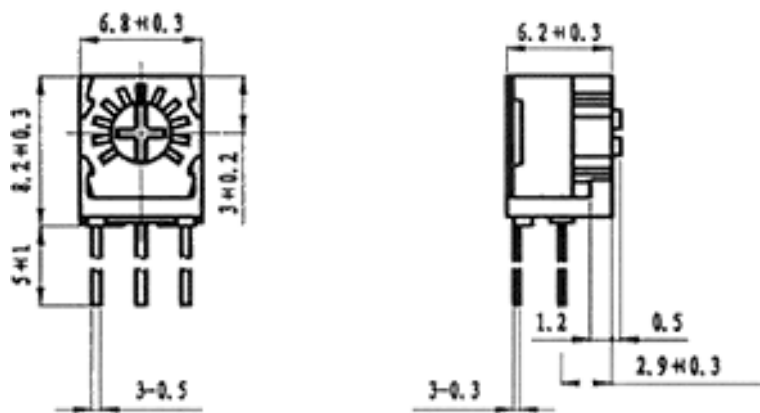


Vatronics 3323U DRAWING

Vatronics Technologies Limited
<http://www.vatronics.com> sales@vatronics.com



Vatronics 3323V DRAWING



Vatronics 3323W DRAWING

Vatronics Technologies Limited
<http://www.vatronics.com> sales@vatronics.com