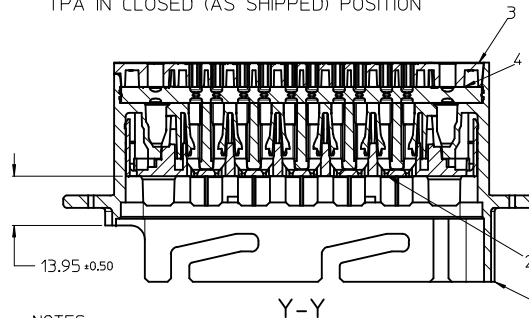
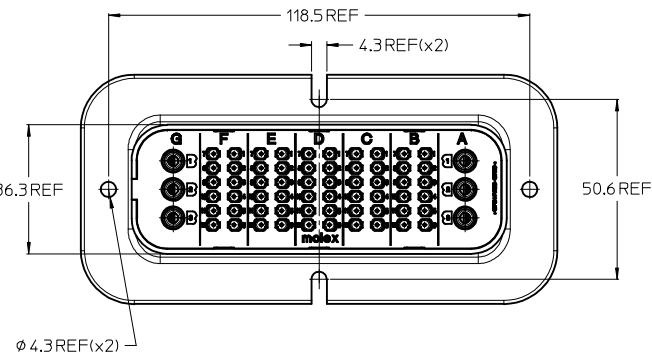
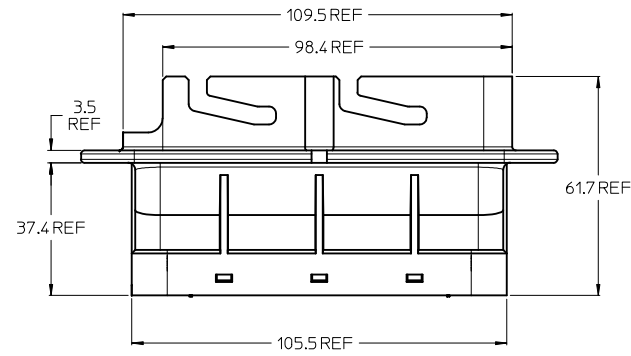
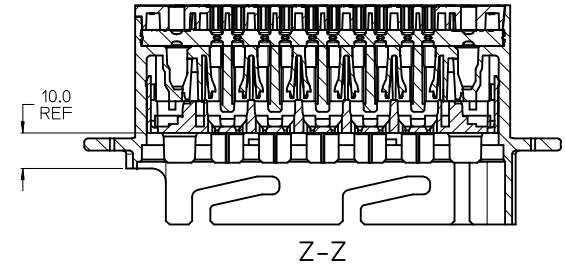


TPA IN CLOSED (AS SHIPPED) POSITION

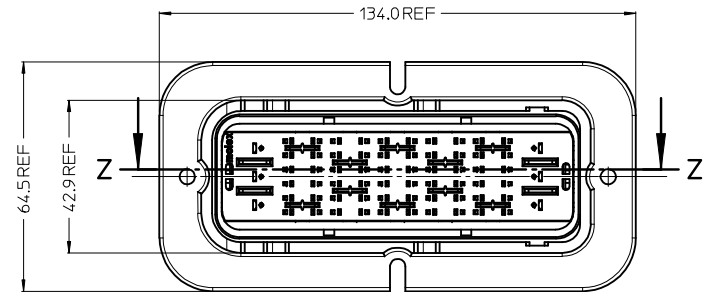


TPA IN PRE-LOAD POSITION



NOTES:

- MATERIALS:
HOUSINGS: SPS/NYLON BLEND, GLASS FILLED, UL 94 HB
SEAL: LIQUID SILICONE RUBBER
- MX150 BLADE TERMINAL PER SD-33000-001 TO BE USED WITH THIS ASSEMBLY IN CAVITIES B, C, D, E AND F CRIMPED WITH CABLE INSULATION OUTER DIAMETER IN THE RANGE 1.5mm TO 2.69mm
- MX150L BLADE TERMINAL PER SD-19431-002 TO BE USED WITH THIS ASSEMBLY IN CAVITIES A AND G CRIMPED WITH CABLE INSULATION OUTER DIAMETER IN THE RANGE 3.61mm TO 5.54mm
- PRODUCT SPECIFICATION: PS-85083-001
- PACKAGING SPECIFICATION: PK-85071-001
- MATES WITH: SRC 60+6AG POWER RECEPTACLE HOUSING ASSEMBLY PER SD-85084-700
- APPLICATION SPECIFICATION: AS-85083-001
- FLANGE GASKET OPTIONS: REFER TO SD-85071-016



No.	DESCRIPTION	QTY.	COLOUR
4	MALE BACK SEAL	1	RED
3	MALE REAR COVER	1	BLACK
2	MALE FRONT COVER	1	GREEN
1	MALE HOUSING	1	BLACK
BILL OF MATERIAL			

ADD 48+8 OPTION
 EC NO: PG2012-0073
 DRAWN: J WALLACE 2012/07/27
 CHKD: M SHAMHAN 2013/04/11
 APPR: S IGRIFIN 2013/04/11

QUALITY SYMBOLS
 ▽=0
 ▽=0

GENERAL TOLERANCES (UNLESS SPECIFIED)
 4 PLACES ± --- + ---
 3 PLACES ± --- + ---
 2 PLACES ± 0.20 + ---
 1 PLACE ± 0.5 + ---
 0 PLACE ± --- + ---
 ANGULAR ± .5 °
 DRAFT WHERE APPLICABLE MUST REMAIN WITHIN DIMENSIONS

DIMENSION STYLE
MM ONLY
 DRAWN BY: TVOGT
 DATE: 2009/03/26
 CHECKED BY: RSILLER
 DATE: 2009/03/30
 APPROVED BY: AVOGT
 DATE: 2009/03/31
 MATERIAL NO.: 850830300

SCALE: 1:1
 DESIGN UNITS: METRIC
 THIRD ANGLE PROJECTION
 TITLE: SRC MIXED POWER MALE BLADE HOUSING ASSEMBLY
molex
 DOCUMENT NO.: SD-85083-300
 SHEET NO.: 1 OF 5
 THIS DRAWING CONTAINS INFORMATION THAT IS PROPRIETARY TO MOLEX INCORPORATED AND SHOULD NOT BE USED WITHOUT WRITTEN PERMISSION

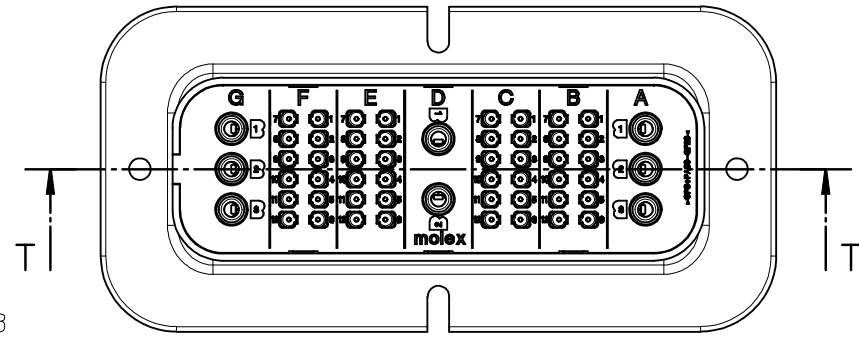
10 9 8 7 6 5 4 3 2 1

TERMINAL POSITION A1

TERMINAL POSITION G1

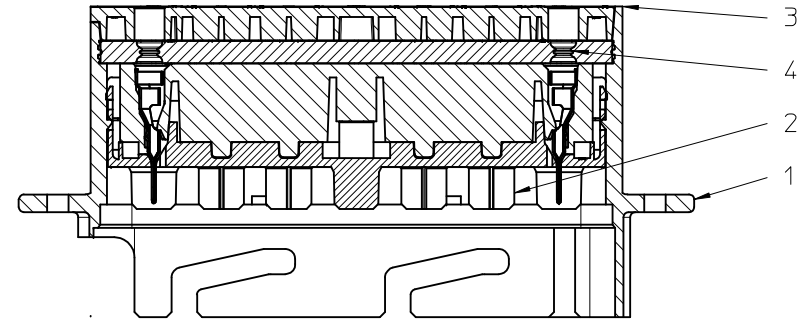
TERMINAL POSITION A3

TERMINAL POSITION G3



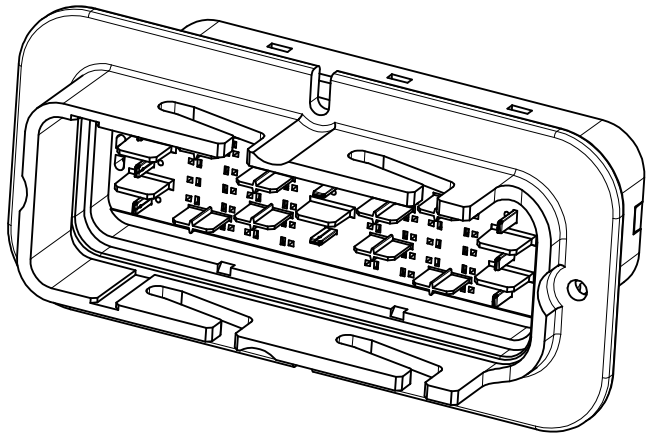
NOTES:

1. REFERENCE SHEET 1 FOR UNSPECIFIED NOTES AND DIMENSIONS
2. MX150 BLADE TERMINAL PER SD-33000-001 TO BE USED WITH THIS ASSEMBLY IN CAVITIES B, C, E AND F, CRIMPED WITH CABLE INSULATION OUTER DIAMETER IN THE RANGE 1.5mm TO 2.69mm
3. MX150L BLADE TERMINAL PER SD-19431-002 TO BE USED WITH THIS ASSEMBLY IN CAVITIES A, D AND G, CRIMPED WITH CABLE INSULATION OUTER DIAMETER IN THE RANGE 3.61mm TO 5.54mm
4. MATES WITH: SRC 48+8ADG POWER RECEPTACLE HOUSING ASSEMBLY (PART NUMBER 850844808) PER SD-85084-700



T-T

No.	DESCRIPTION	QTY.	COLOUR
4	MALE BACK SEAL	1	RED
3	MALE REAR COVER	1	BLACK
2	MALE FRONT COVER	1	GREEN
1	MALE HOUSING	1	BLACK
BILL OF MATERIAL			



SEE SHEET ONE EC NO: IPG2012-0073 DRWN: J WALLACE 2012/07/27 CHKD: M SHANAHAN 2013/04/11 APPR: S GRIFFIN 2013/04/11	DESCRIPTION	QUALITY SYMBOLS	GENERAL TOLERANCES (UNLESS SPECIFIED)	DIMENSION STYLE	SCALE	DESIGN UNITS	THIRD ANGLE PROJECTION	
		$\nabla = 0$ $\nabla \text{C} = 0$	mm INCH	MM ONLY	1:1	METRIC		
			4 PLACES ± --- ± ---	DRAWN BY	DATE	TITLE		
			3 PLACES ± --- ± ---	TVOGT	2009/03/26	SRC MIXED POWER MALE BLADE HOUSING ASSEMBLY		
	2 PLACES ± 0.20 ± ---	CHECKED BY	DATE					
	1 PLACE ± 0.5 ± ---	RSILLER	2009/03/30					
	0 PLACE ± --- ± ---	APPROVED BY	DATE					
		ANGULAR ± .5 °	AVOGT	2009/03/31				
		DRAFT WHERE APPLICABLE MUST REMAIN WITHIN DIMENSIONS	MATERIAL NO.	850834808	DOCUMENT NO.	SD-85083-300	SHEET NO.	2 OF 5
			SIZE	A3	THIS DRAWING CONTAINS INFORMATION THAT IS PROPRIETARY TO MOLEX INCORPORATED AND SHOULD NOT BE USED WITHOUT WRITTEN PERMISSION			

molex

9 8 7 6 5 4 3 2 1

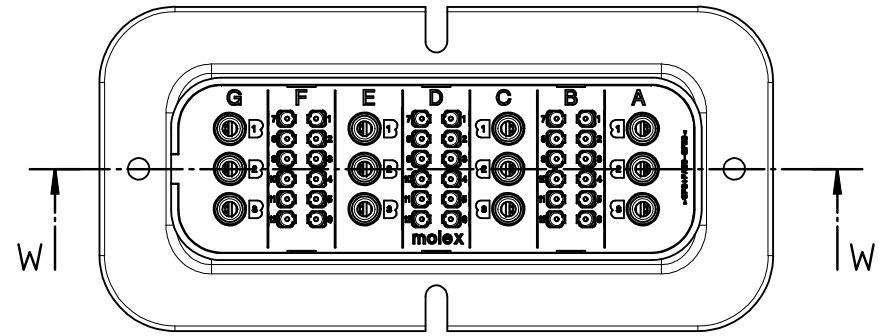
10 9 8 7 6 5 4 3 2 1

TERMINAL POSITION A1

TERMINAL POSITION G1

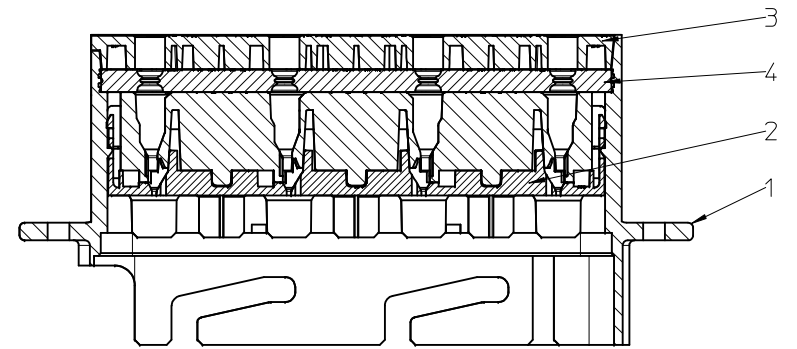
TERMINAL POSITION A3

TERMINAL POSITION G3



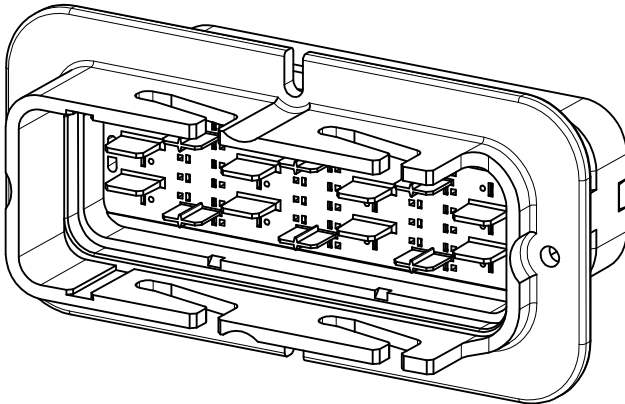
NOTES:

1. REFERENCE SHEET 1 FOR UNSPECIFIED NOTES AND DIMENSIONS
2. MX150 BLADE TERMINAL PER SD-33000-001 TO BE USED WITH THIS ASSEMBLY IN CAVITIES B, D AND F, CRIMPED WITH CABLE INSULATION OUTER DIAMETER IN THE RANGE 1.5mm TO 2.69mm
3. MX150L BLADE TERMINAL PER SD-19431-002 TO BE USED WITH THIS ASSEMBLY IN CAVITIES A, C, E AND G, CRIMPED WITH CABLE INSULATION OUTER DIAMETER IN THE RANGE 3.61mm TO 5.54mm
4. MATES WITH: SRC 36+12ACEG POWER RECEPTACLE HOUSING ASSEMBLY (PART NUMBER 850843612) PER SD-85084-700



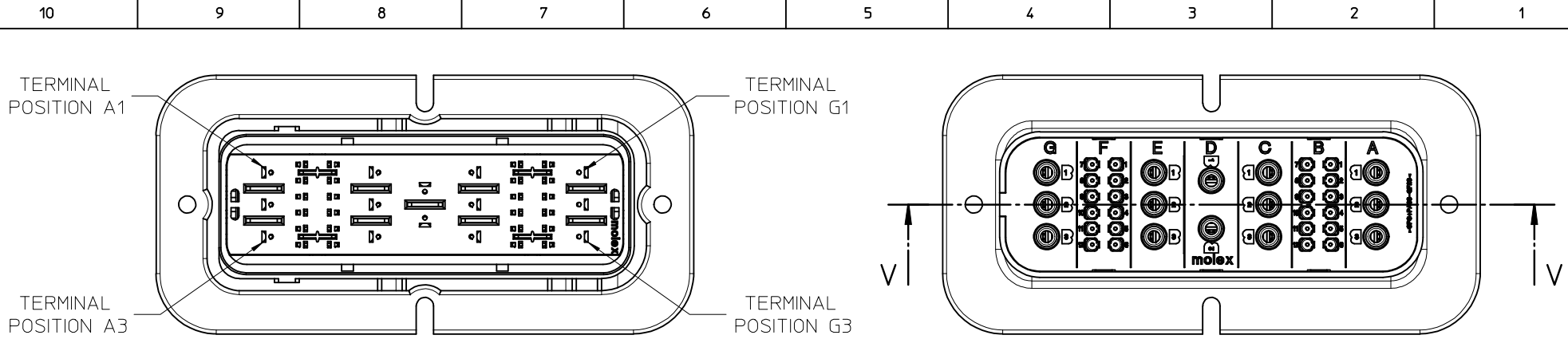
W-W

4	MALE BACK SEAL	1	RED
3	MALE REAR COVER	1	BLACK
2	MALE FRONT COVER	1	GREEN
1	MALE HOUSING	1	BLACK
No.	DESCRIPTION	QTY.	COLOUR
BILL OF MATERIAL			

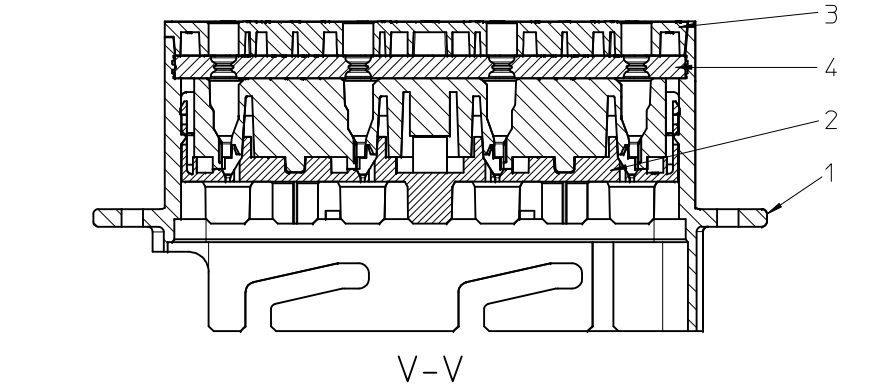


SEE SHEET ONE	EC NO: IPG2012-0073	2012/07/27	DESCRIPTION	QUALITY SYMBOLS 	GENERAL TOLERANCES (UNLESS SPECIFIED)		DIMENSION STYLE MM ONLY		SCALE 1:1	DESIGN UNITS METRIC	THIRD ANGLE PROJECTION		
	DRWN: J WALLACE	2013/04/11			mm	INCH	DRAWN BY TVOGT	DATE 2009/03/26	TITLE SRC MIXED POWER MALE BLADE HOUSING ASSEMBLY				
	CHKD: M SHAHAN	2013/04/11			4 PLACES ± --- ± ---		CHECKED BY RSILLER	DATE 2009/03/30					
	APPR: S GRIFFIN	2013/04/11			3 PLACES ± --- ± ---		APPROVED BY AVOGT	DATE 2009/03/31					
REV	2 PLACES ± 0.20 ± ---		0 PLACE ± --- ± ---		MATERIAL NO. 850833612		DOCUMENT NO. SD-85083-300		SHEET NO. 3 OF 5				
D	1 PLACE ± 0.5 ± ---		ANGULAR ± .5 °		DRAFT WHERE APPLICABLE MUST REMAIN WITHIN DIMENSIONS		SIZE A3		THIS DRAWING CONTAINS INFORMATION THAT IS PROPRIETARY TO MOLEX INCORPORATED AND SHOULD NOT BE USED WITHOUT WRITTEN PERMISSION				

9 8 7 6 5 4 3 2 1

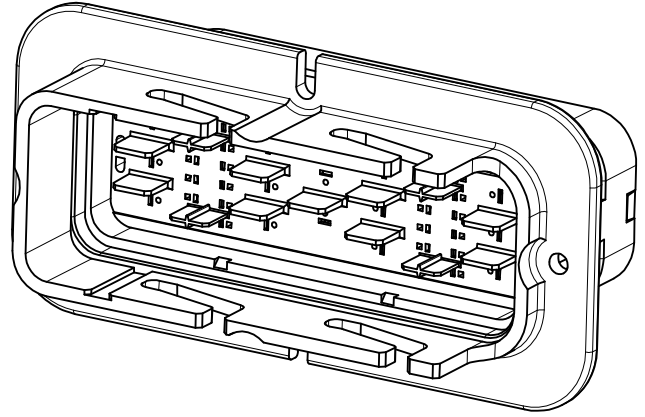


- NOTES:
1. REFERENCE SHEET 1 FOR UNSPECIFIED NOTES AND DIMENSIONS
 2. MX150 BLADE TERMINAL PER SD-33000-001 TO BE USED WITH THIS ASSEMBLY IN CAVITIES B AND F, CRIMPED WITH CABLE INSULATION OUTER DIAMETER IN THE RANGE 1.5mm TO 2.69mm
 3. MX150L BLADE TERMINAL PER SD-19431-002 TO BE USED WITH THIS ASSEMBLY IN CAVITIES A, C, D, E AND G, CRIMPED WITH CABLE INSULATION OUTER DIAMETER IN THE RANGE 3.61mm TO 5.54mm
 4. MATES WITH: SRC 24+14ACDEG POWER RECEPTACLE HOUSING ASSEMBLY (PART NUMBER 850842414) PER SD-85084-700

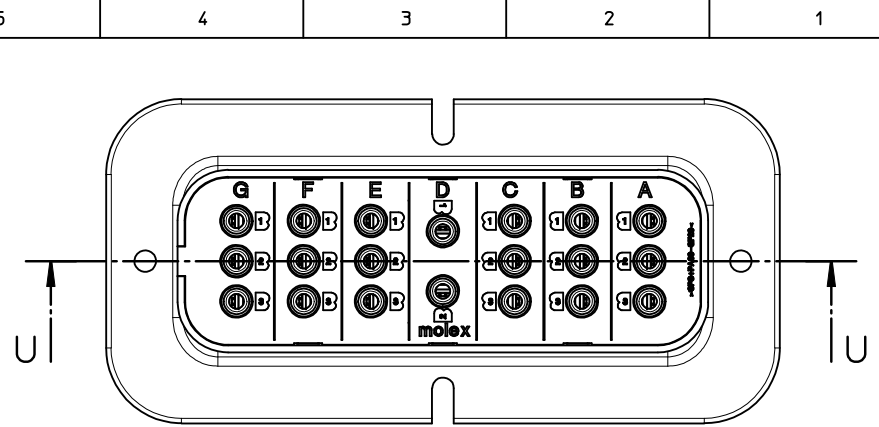
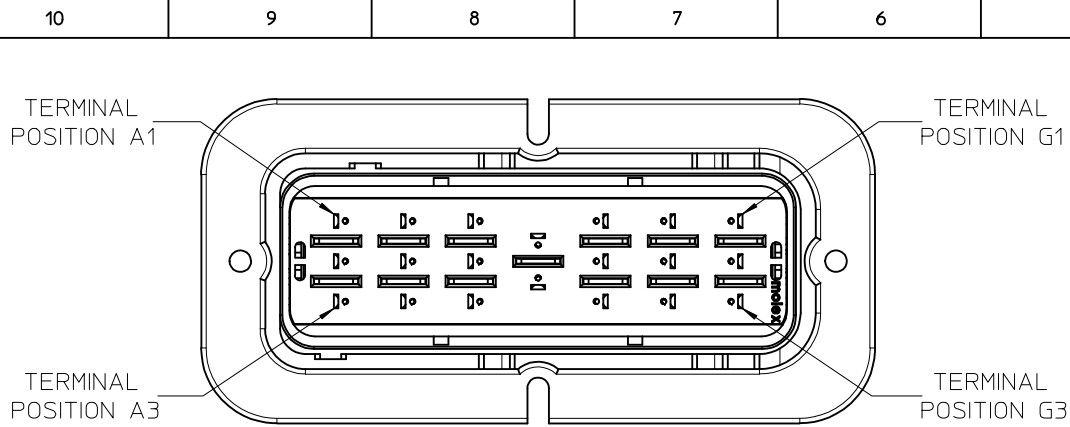


No.	DESCRIPTION	QTY.	COLOUR
4	MALE BACK SEAL	1	RED
3	MALE REAR COVER	1	BLACK
2	MALE FRONT COVER	1	GREEN
1	MALE HOUSING	1	BLACK

BILL OF MATERIAL

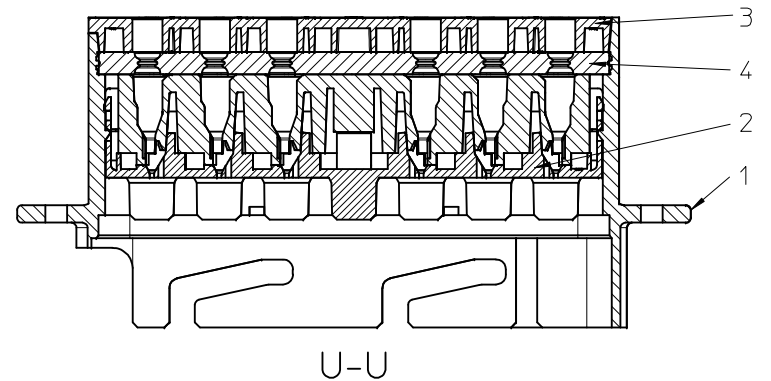


SEE SHEET ONE	EC NO: IPG2012-0073	DRWN: WALLACE 2012/07/27	CHKD: SHANAHAN 2013/04/11	APPR: STORIFFIN 2013/04/11	QUALITY SYMBOLS = 0 = 0	GENERAL TOLERANCES (UNLESS SPECIFIED) <table border="1"> <thead> <tr> <th></th> <th>mm</th> <th>INCH</th> </tr> </thead> <tbody> <tr> <td>4 PLACES</td> <td>± ---</td> <td>± ---</td> </tr> <tr> <td>3 PLACES</td> <td>± ---</td> <td>± ---</td> </tr> <tr> <td>2 PLACES</td> <td>± 0.20</td> <td>± ---</td> </tr> <tr> <td>1 PLACE</td> <td>± 0.5</td> <td>± ---</td> </tr> <tr> <td>0 PLACE</td> <td>± ---</td> <td>± ---</td> </tr> </tbody> </table>			mm	INCH	4 PLACES	± ---	± ---	3 PLACES	± ---	± ---	2 PLACES	± 0.20	± ---	1 PLACE	± 0.5	± ---	0 PLACE	± ---	± ---	DIMENSION STYLE MM ONLY		SCALE 1:1	DESIGN UNITS METRIC	THIRD ANGLE PROJECTION
		mm	INCH																											
	4 PLACES	± ---	± ---																											
	3 PLACES	± ---	± ---																											
2 PLACES	± 0.20	± ---																												
1 PLACE	± 0.5	± ---																												
0 PLACE	± ---	± ---																												
REV D	DESCRIPTION	DRAWN BY TVOGT DATE 2009/03/26		CHECKED BY RSILLER DATE 2009/03/30		APPROVED BY AVOGT DATE 2009/03/31		MATERIAL NO. 850832414		TITLE SRC MIXED POWER MALE BLADE HOUSING ASSEMBLY																				
DRAFT WHERE APPLICABLE MUST REMAIN WITHIN DIMENSIONS		ANGULAR ± .5 °		SIZE A3		THIS DRAWING CONTAINS INFORMATION THAT IS PROPRIETARY TO MOLEX INCORPORATED AND SHOULD NOT BE USED WITHOUT WRITTEN PERMISSION		DOCUMENT NO. SD-85083-300		SHEET NO. 4 OF 5																				

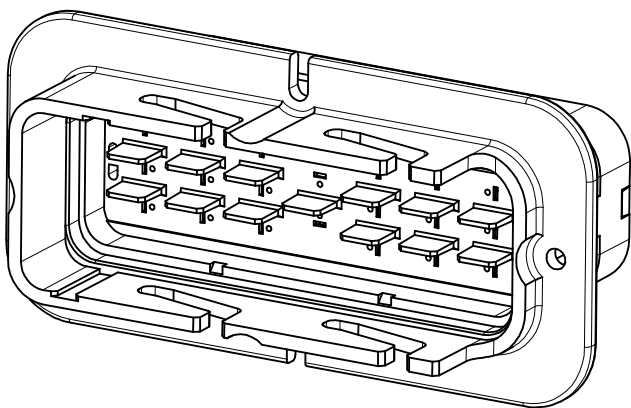


NOTES:

1. REFERENCE SHEET 1 FOR UNSPECIFIED NOTES AND DIMENSIONS
2. MX150L BLADE TERMINAL PER SD-19431-002 TO BE USED WITH THIS ASSEMBLY IN ALL CAVITIES, CRIMPED WITH CABLE INSULATION OUTER DIAMETER IN THE RANGE 3.61mm TO 5.54mm
3. MATES WITH: SRC 0+20ABCDEFGH POWER RECEPTACLE HOUSING ASSEMBLY (PART NUMBER 850840020) PER SD-85084-700



4	MALE BACK SEAL	1	RED
3	MALE REAR COVER	1	BLACK
2	MALE FRONT COVER	1	GREEN
1	MALE HOUSING	1	BLACK
No.	DESCRIPTION	QTY.	COLOUR
BILL OF MATERIAL			



SEE SHEET ONE EC NO: IPG2012-0073 DRWN: J WALLACE 2012/07/27 CHKD: S SHAHAN 2013/04/11 APPR: S GRIFFIN 2013/04/11	DESCRIPTION REV	QUALITY SYMBOLS ▽=0 ◻=0	GENERAL TOLERANCES (UNLESS SPECIFIED)		DIMENSION STYLE MM ONLY		SCALE 1:1	DESIGN UNITS METRIC	THIRD ANGLE PROJECTION	
			mm	INCH	DRAWN BY TVOGT	DATE 2009/03/26	TITLE SRC MIXED POWER MALE BLADE HOUSING ASSEMBLY			
		4 PLACES	± ---	± ---	CHECKED BY RSILLER	DATE 2009/03/30	molex			
		3 PLACES	± ---	± ---	APPROVED BY AVOGT	DATE 2009/03/31				
			2 PLACES	± 0.20	± ---	MATERIAL NO. 850830020	DOCUMENT NO. SD-85083-300	SHEET NO. 5 OF 5		
			1 PLACE	± 0.5	± ---	THIS DRAWING CONTAINS INFORMATION THAT IS PROPRIETARY TO MOLEX INCORPORATED AND SHOULD NOT BE USED WITHOUT WRITTEN PERMISSION				
			0 PLACE	± ---	± ---					
			ANGULAR ± .5 °							
			DRAFT WHERE APPLICABLE MUST REMAIN WITHIN DIMENSIONS							