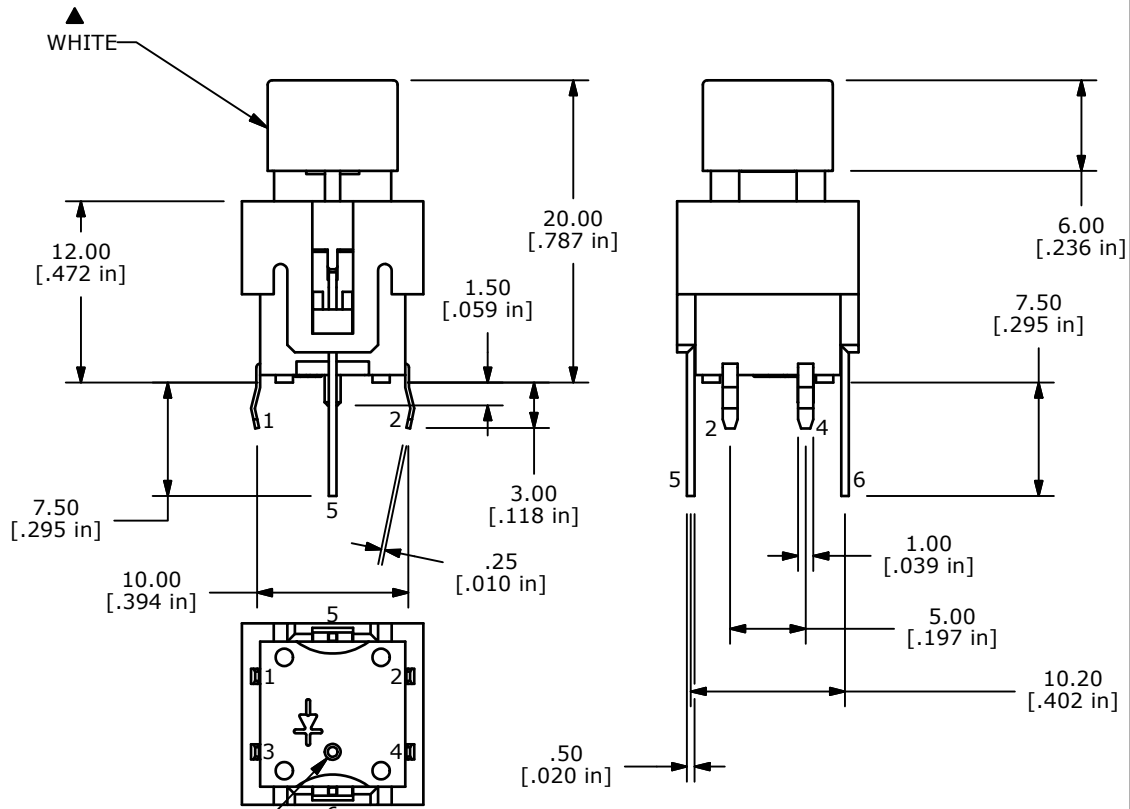


- NOTES:
1. ALL DIMENSIONS IN MM [INCH]
  2. GENERAL TOLERANCE: X.X=±0.4  
X.XX=±0.25
  3. RATING: 20VDC @ 1mA
  4. CONTACT RESISTANCE: 200Ω MAX.
  5. INSULATION RESISTANCE: 100MΩ MIN. @ 100VDC.
  6. OPERATING FORCE: 125± 35gf
  7. TRAVEL: 1.3 +/- 0.3 mm
  8. OPERATING TEMPERATURE: -20°C TO 70°C
  9. OPERATING LIFE: 300,000 CYCLES
  10. LED: RED
  - ▲ 11. ▲ DENOTES CRITICAL PARAMETERS
  12. 2002/95/EC (ROHS) COMPLIANT
  13. CONTACT MATR'L: GOLD FLASH OVER NICKEL



LED SPECS		UNITS	RED	
FORWARD CURRENT		mA	20	
FORWARD VOLTAGE @20mA		V	1.5 MIN.	2.40 MAX.
LUMINOUS INTENSITY @ 20mA		mcd	65 MIN.	120 TYP.

REV	PCR NO	DESCRIPTION	DATE	BY
C	20507	Added Note For Gold Flash Over Nickel	3/2/2012	MM
B	19590	UPDATE PCB LAYOUT	1/17/11	BGL
A	18656	New Release	9/14/09	rc

THE INFORMATION CONTAINED IN THIS DOCUMENT IS PROPRIETARY TO E-SWITCH AND IS NOT TO BE COPIED OR TRANSFERRED

**E-SWITCH™**

TITLE **LP15S1WHTRED-N**

SCALE <b>2 : 1</b>	DATE <b>8/17/2009</b>	DR <b>rc</b>	DWG <b>B270000</b>	REV <b>C</b>
--------------------	-----------------------	--------------	--------------------	--------------