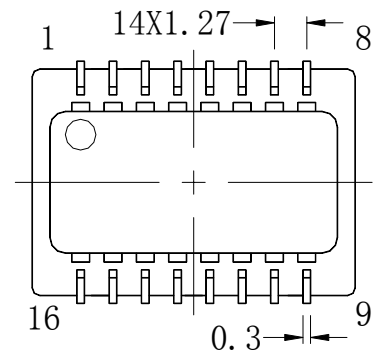
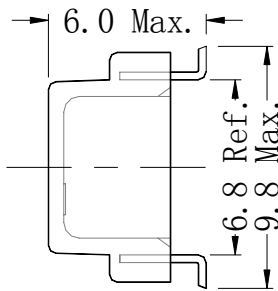
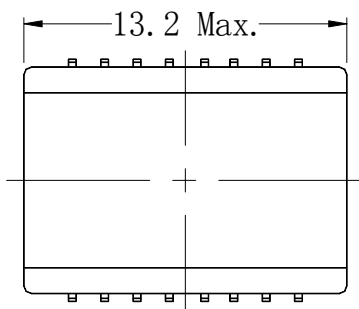
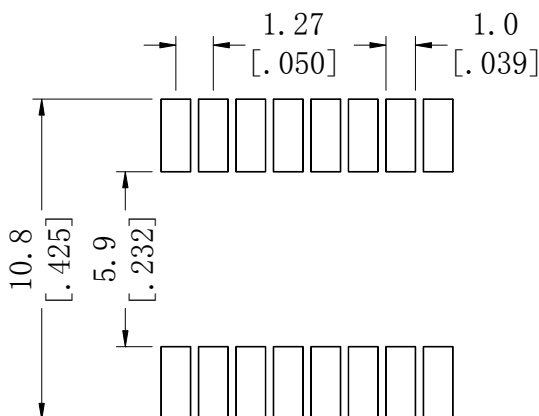
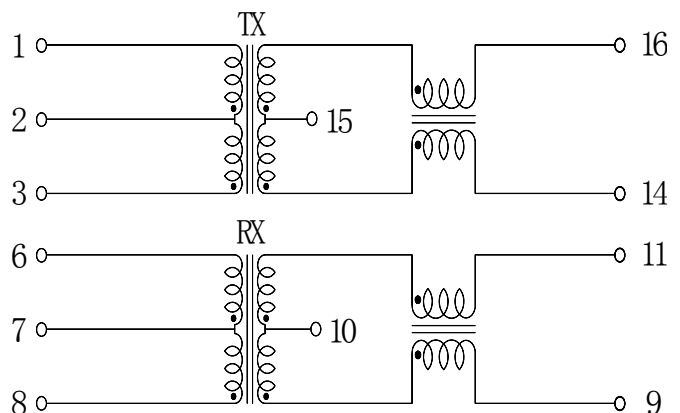


Type: CLP0612
Modify from CLP124C/MS
◆ Product Description

- 13.2mm×9.8mm Max. (L×W),6.0mm Max. Height.
- Pulse transformer + Filter module for LAN 10/100 Base-T(IEEE802.3).
- In addition to the typical parameters shown here, custom designs are available.


◆ Feature

- 10/100Base-T discrete single port modules.
- Ideally used in LAN and PoE-enabled LAN applications, router, Hub, switch, etc.
- RoHS Compliance.

◆ Dimensions (mm)

◆ Land Pattern (mm)

◆Schematics(Bottom)


Type: CLP0612
◆ Specification (P/N: C23102NP-R)

Test item	Specification	Conditions
Turns ratio (1-3)/(16-14)=(6-8)/(11-9)	1.0±3%	50kHz,500mV
Inductance (1-3)=(6-8)	350μH Min.	100kHz,100mV,8mA DC
Insertion loss (TX & RX)	-1.1dB Min.	0.1MHz~100MHz
Return loss (TX & RX)	-20dB Max.	30MHz
	-14dB Max.	60MHz
	-12dB Max.	80MHz
Differential to common mode rejection	-42dB Max.	30MHz
	-37dB Max.	50MHz
	-33dB Max.	100MHz
Cross talk	-45dB Max.	30MHz
	-40dB Max.	60MHz
	-35dB Max.	100MHz
Hi-pot	1500V AC Typ.	0.5mA,1Min.