



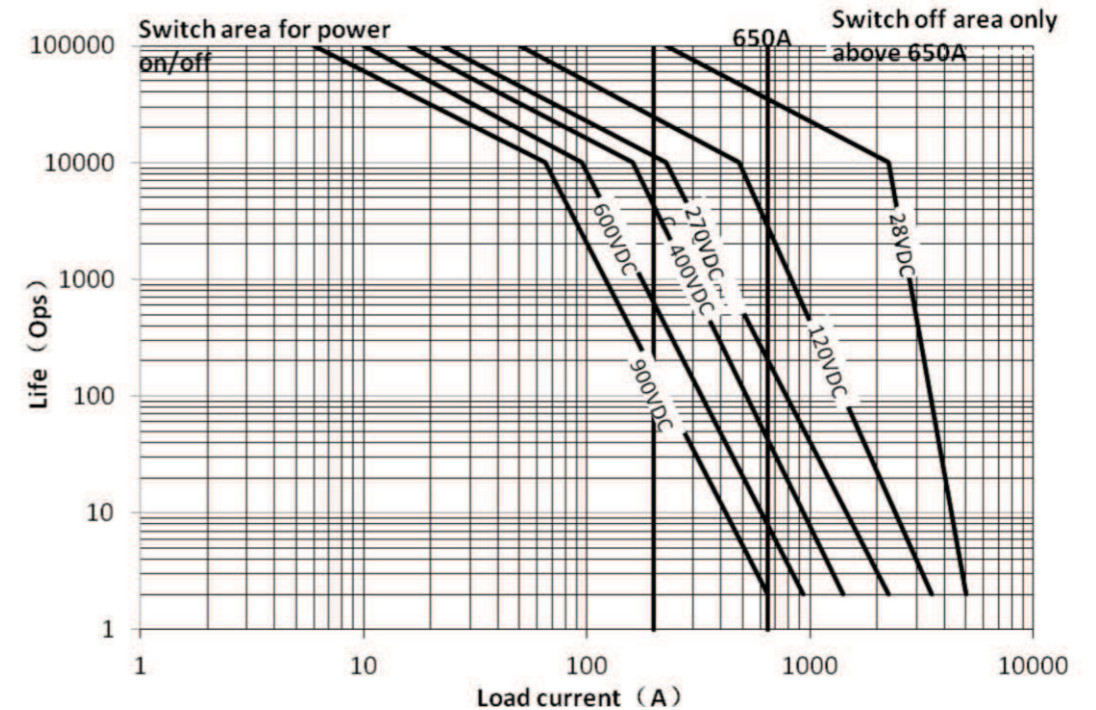
FEATURE

- 200A Contact switch capacity, Small volume;
- A set of bridge type N.O.contacts& a set of N.O. aux contact, contact circuit has "+", "-" polarity;
- Coil power is very low, coil maintain power Max 1.8W;
- Application: Telecom equipment、Solar system、Engineering machinery、Electromobile、Electric vehicle、Charging system、Train、Ships、UPS etc.;
- Comply with the ROHS

SPECIFICATION		
NO.	Product No.	DH200 Energy Saving
1	Contact type	1H(SPST-NO)
2	Rated load current of contact(Resistive load)	200A (DC-1)
3	The max switch current	2000A(320VDC) 1time
4	Contact voltage drop	≤80mV@200A
5	Switching voltage	12~900V DC
6	Standard pick-up time	Max. 30ms.
7	Contact bounce time	Max. 5ms.
8	Release time	Max. 10ms.
9	Vibration (Sinusoid、80~2000HZ、peak)	(80~2000)HZ, ≤20g
10	Shock (11ms,1/2 Sinusoid、peak、pick-up)	≤20g
11	Operating ambient temperature	-40°C~+85°C
12	Relative humidity	20%~90% RH
13	Insulation resistance	Min. 100MΩ @ 500VDC
14	Dielectric strength (Between Insulated Electric Parts)	2200VAC 50 Hz/60 Hz (1 minute) 1000VAC 50Hz/60Hz (1 minute) (between aux. contacts)Leak current<1mA
15	Electrical life	Please refer to diagram of resistance load life
16	Mechanical life	300,000 times
17	Aux. contact type	1NO
18	Rated load of aux. contact	2A/24V
19	Min. load of aux. contact	100mA/8V
20	Mounting direction	Any direction
21	Working duty	Continuous

Resistive load life at different voltages						
P/N	Coil voltage (V)	Coil operating voltage (V)	Pick-up voltage (V)	Release voltage (V)	Starting current(A)	Maintain current(A)
DH200 Energy Saving	9~36	9~36	8~9	5.5~7	3.8	0.18@12V 0.09@24V
	32~95	32~95	29~31	23~25	1.3	0.03@48V

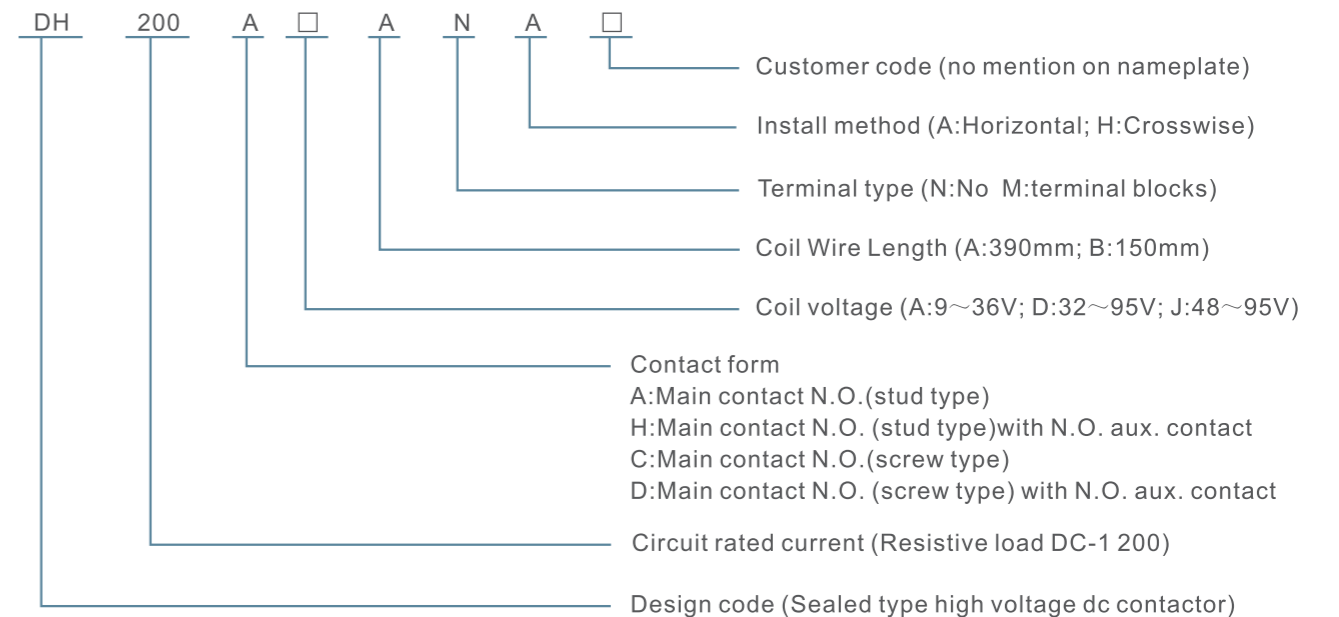
Resistive load life at different voltages



Note:

- 1、The rated electrical life is based on resistance load test. The load max inductance≤300 μ H; If used with inductive load, please do contact the factory first.
- 2、The above curve is drawn according to the test and infer data. Suggest users confirm in practical use.
- 3、When the product's Dielectric withstand voltage、insulation resistance is less than the product parameters in the table, the product is defined as a life to an end.
- 4、Product max pick-up current is 650A to avoid contact cold welding.

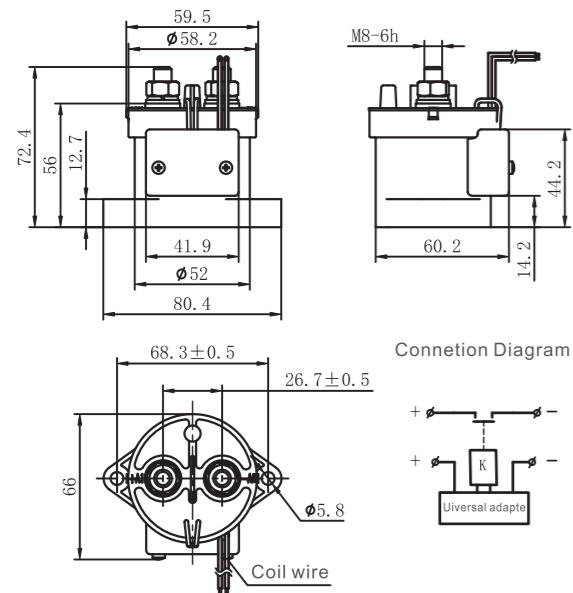
PRODUCT MODEL DEFINE



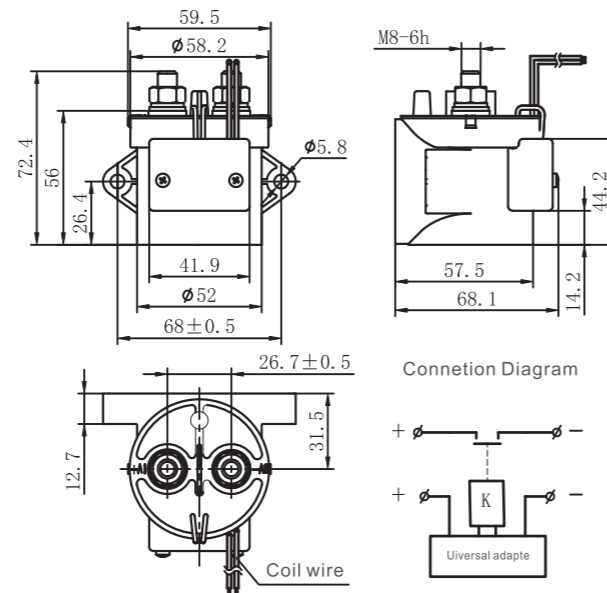
For example: DH200AAANA means: Sealed type high voltage dc contactor. Rated current is 200A at DC-1 load, main contact N.O.(stud type), without aux. contact, coil voltage is DC 9~36V, coil wire length is 390mm, horizontal installation.

Outline mounting dimension and circuit diagram

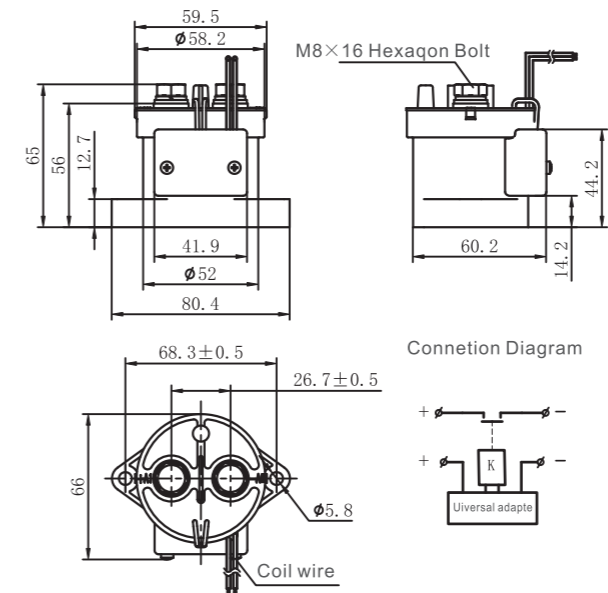
1、DH200A□□NA



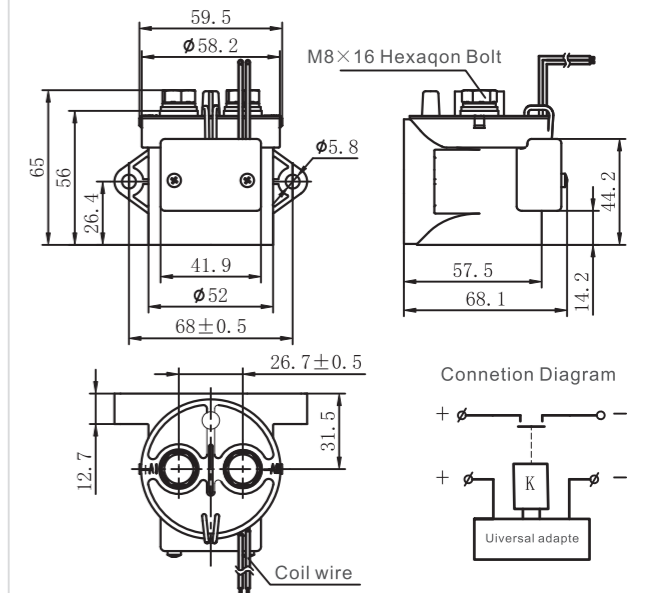
2、DH200A□□NH



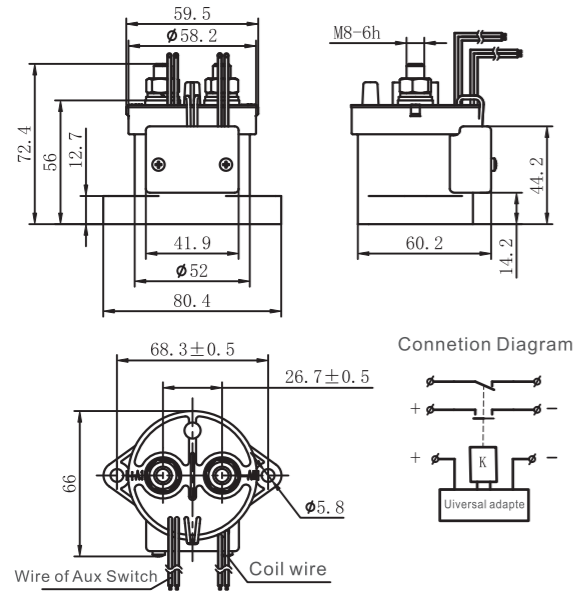
5、DH200C□□NA



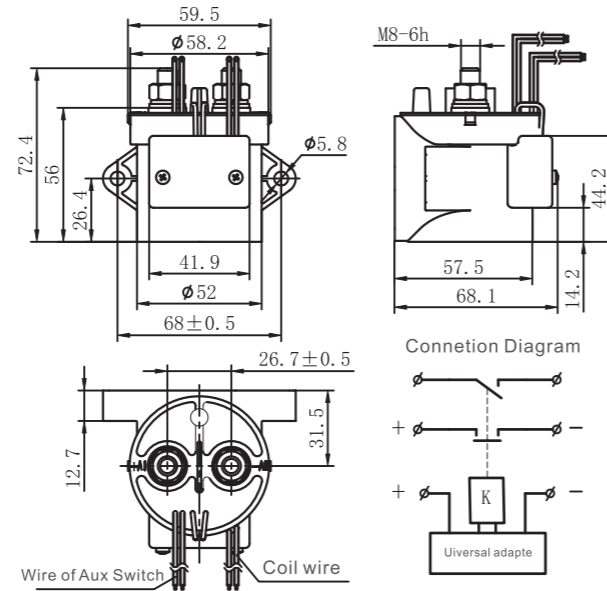
6、DH200C□□NH



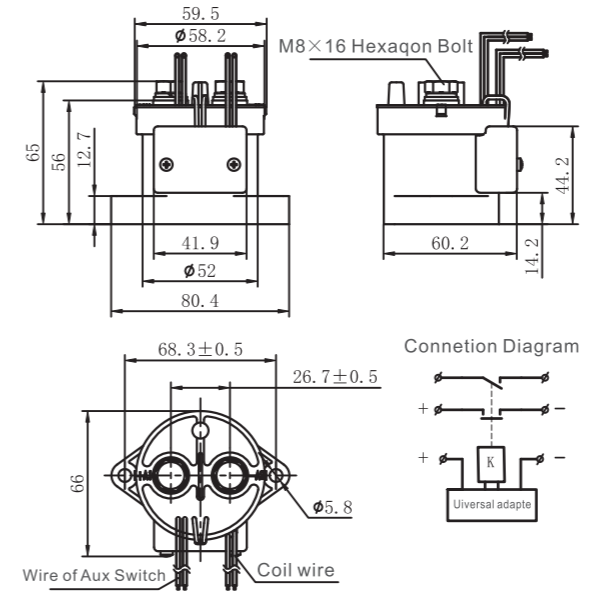
3、DH200H□□NA



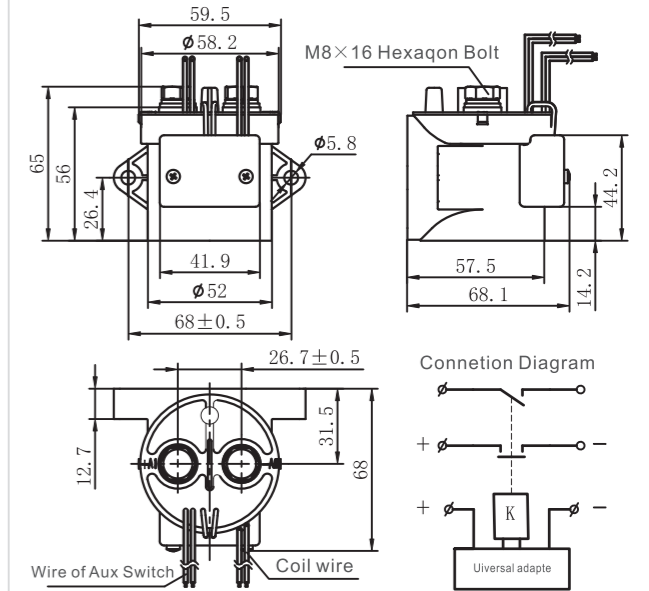
4、DH200H□□NH



7、DH200D□□NA



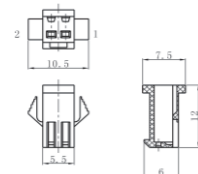
8、DH200D□□NH



Accessory

DH200series product with terminal part no is: DH200□□□□M□□, the additional code means terminal type.

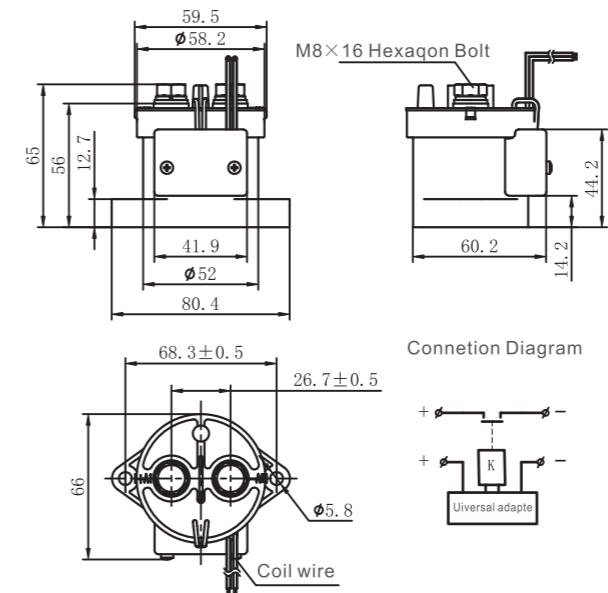
Additional code: M4
Terminal type: SM-2Y-HW
Terminal type: SMA-HW
Terminal dimension figure:



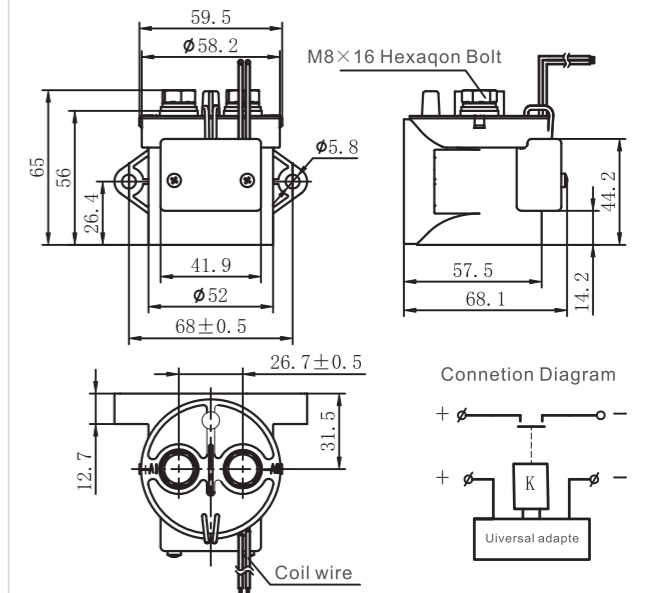
Fitted socket type: SM-2A-HW
Fitted terminal type: SMY-HW
The connector's two pinhole corresponding relationship with the coil lead-out wire:
1: Coil lead-out wire "+" terminal, red wire;
2: Coil lead-out wire "-" terminal, black wire.

Outline mounting dimension and circuit diagram

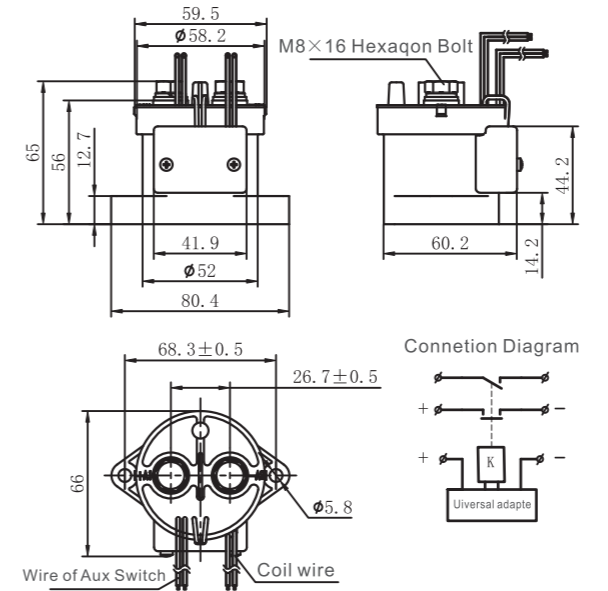
5、DH200C□□NA



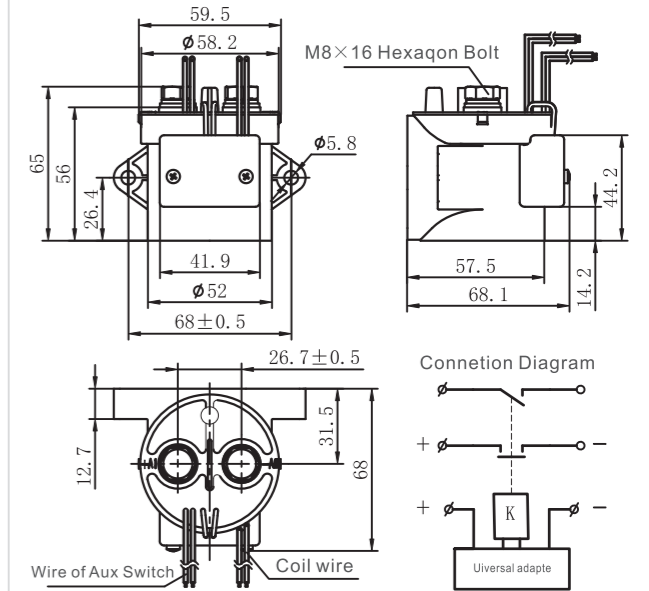
6、DH200C□□NH



7、DH200D□□NA



8、DH200D□□NH



Dimension (mm)	Tolerance grade not noted (mm)
0~30	±0.3
30~60	±0.5
60~100	±1
> 100	±2

Note:

- The outline mounting dimensions of products are same whether with or without aux. contact;
- Both coil and main contact are polarized; The lead-out wire of coil, please connect red wire to "+" polarity & black wire to "-" polarity; Connect "+" polarity to the main contact terminal with "+" mark, and connect "-" polarity to the main contact terminal with "-" mark.