



The Future of Analog IC Technology®

# MP8802

## Low Dropout 250mA Linear Regulator

### DESCRIPTION

The MP8802 is a low-noise, low-dropout linear regulator. It operates from 2.7V to 6.5V input voltage, and regulates the output voltage with 2% accuracy at 2.5V, 2.85V, 3.3V, or from 1.25V to 5V.

The MP8802 can supply up to 250mA of load current. The MP8802 features thermal overload protection. It is available in a 5-pin TSOT23-5 package.

### FIXED VOLTAGE PART NUMBERS

Part Number	Output Voltage
MP8802DJ-2.5	2.5V
MP8802DJ-2.85	2.85V
MP8802DJ-3.3	3.3V

### EVALUATION BOARD REFERENCE

Board Number	Output*	Dimensions
EV8802DJ-00A	2.85V	2.0"X x 2.0"Y x 0.4"Z

\* Default output voltage adjustable from 1.25V to 5.0V using an external resistor divider.

### FEATURES

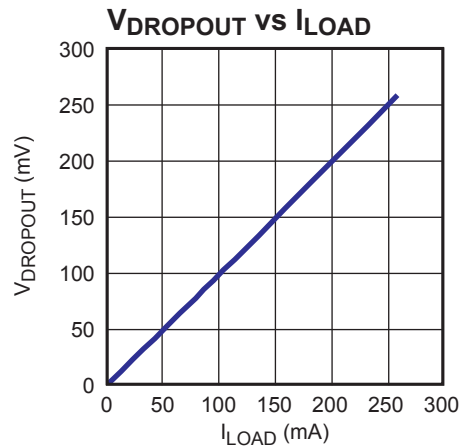
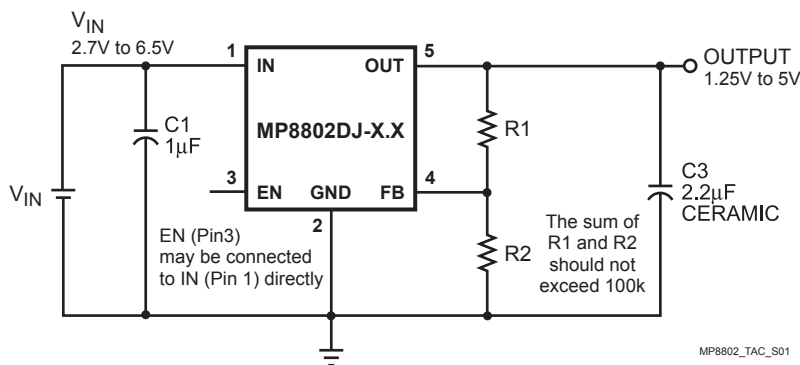
- Low 250mV Dropout at 250mA Output
- 2% Accurate Output Voltage
- Fixed Output Voltage Options of 2.5V, 2.85V or 3.3V
- Adjustable Output Voltage Option from 1.25V to 5V using an External Resistor Divider
- Up to 6.5V Input Voltage
- High PSRR
  - 70dB at 1KHz
  - 30dB at 1MHz
- Better Than 0.001%/mA Load Regulation
- Stable With Low-ESR Output Capacitor
- Low 125µA Ground Current
- Internal Thermal Protection

### APPLICATIONS

- 802.11 PC Cards
- Mobile Handset PLL Power
- Audio Codec Power

"MPS" and "The Future of Analog IC Technology" are Trademarks of Monolithic Power Systems, Inc.

### TYPICAL APPLICATION

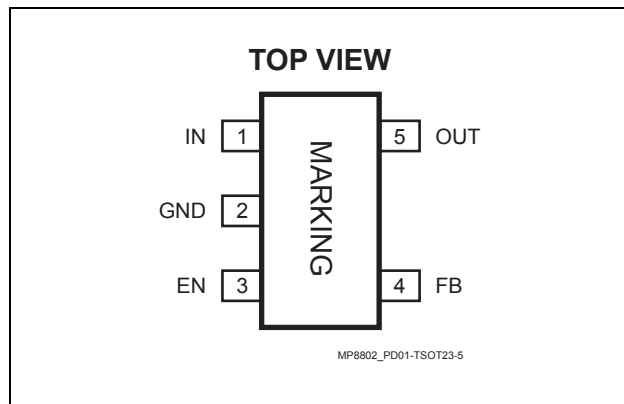


### ORDERING INFORMATION

Part Number*	Package	Top Marking	Free Air Temperature (T <sub>A</sub> )
MP8802DJ-2.5	TSOT23-5	G6	-40°C to +85°C
MP8802DJ-2.85		H2	
MP8802DJ-3.3		H3	

\* For Tape & Reel, add suffix -Z. (eg. MP8802DJ-2.85-Z);  
 For RoHS compliant packaging, add suffix -LF. (eg. MP8802DJ-2.85-LF-Z)

### PACKAGE REFERENCE



#### ABSOLUTE MAXIMUM RATINGS <sup>(1)</sup>

IN Supply Voltage .....	-0.3V to +7.0V
FB Voltage .....	-0.3V to V <sub>OUT</sub> + 0.3V
All Other Pins .....	-0.3V to +6V
Continuous Power Dissipation (T <sub>A</sub> = +25°C) <sup>(2)</sup> .....	0.57W
Junction Temperature .....	150°C
Lead Temperature .....	260°C
Storage Temperature .....	-65°C to +150°C

#### Recommended Operating Conditions <sup>(3)</sup>

Input Voltage.....	2.7V to 6.5V
Output Voltage.....	1.25V to 5V
Load Current.....	250mA Maximum
Operating Junct. Temp (T <sub>J</sub> ).....	-40°C to +125°C

<b>Thermal Resistance <sup>(4)</sup></b>	<b>θ<sub>JA</sub></b>	<b>θ<sub>JC</sub></b>
TSOT23-5.....	220 .....	110.. °C/W

#### Notes:

- 1) Exceeding these ratings may damage the device.
- 2) The maximum allowable power dissipation is a function of the maximum junction temperature T<sub>J</sub>(MAX), the junction-to-ambient thermal resistance θ<sub>JA</sub>, and the ambient temperature T<sub>A</sub>. The maximum allowable continuous power dissipation at any ambient temperature is calculated by P<sub>D</sub>(MAX)=(T<sub>J</sub>(MAX)-T<sub>A</sub>)/ θ<sub>JA</sub>. Exceeding the maximum allowable power dissipation will cause excessive die temperature, and the regulator will go into thermal shutdown. Internal thermal shutdown circuitry protects the device from permanent damage.
- 3) The device is not guaranteed to function outside of its operating conditions.
- 4) Measured on JESD51-7 4-layer PCB..

## ELECTRICAL CHARACTERISTICS

$V_{IN} = 5V$ ,  $T_A = +25^{\circ}C$ , unless otherwise noted.

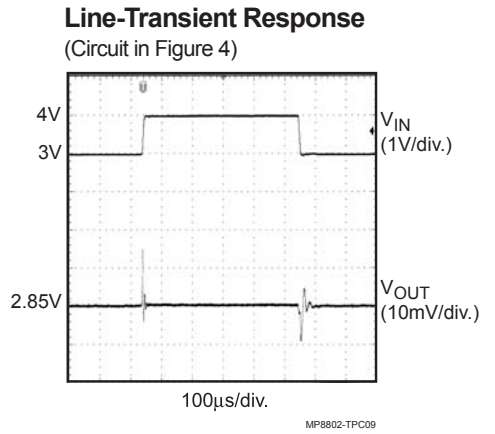
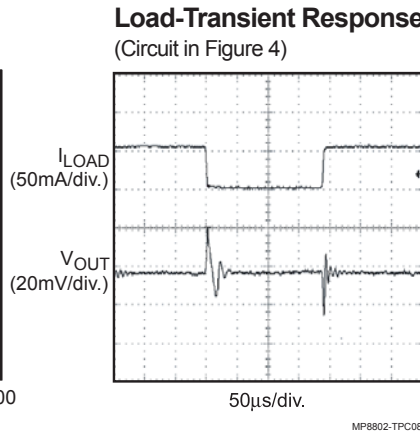
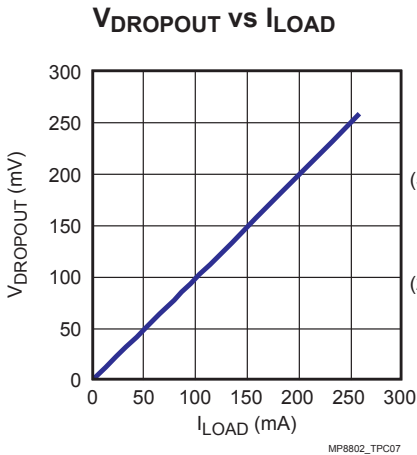
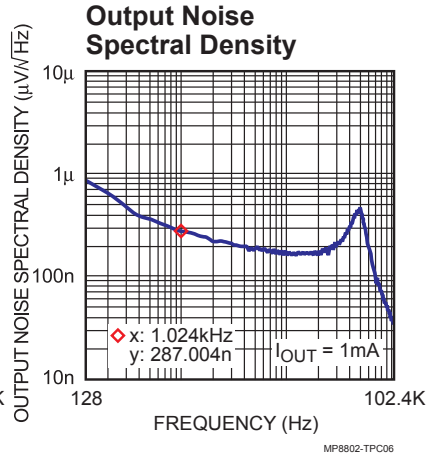
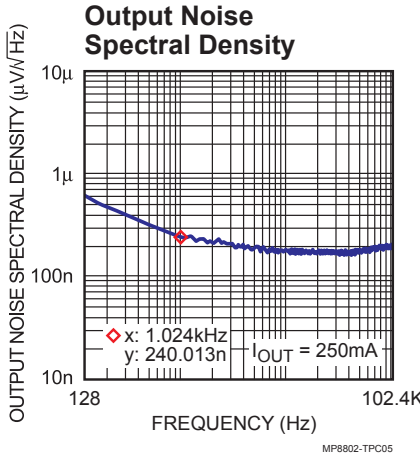
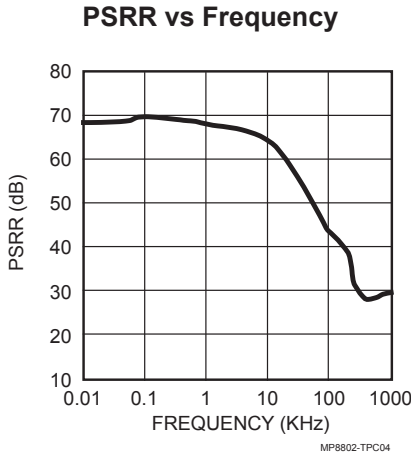
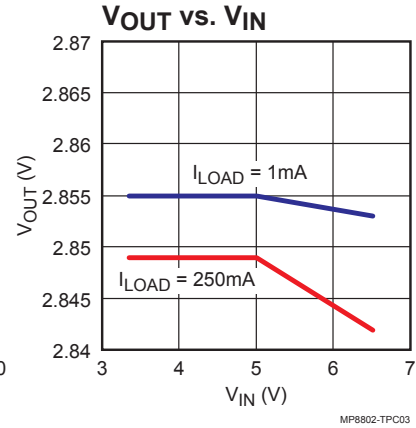
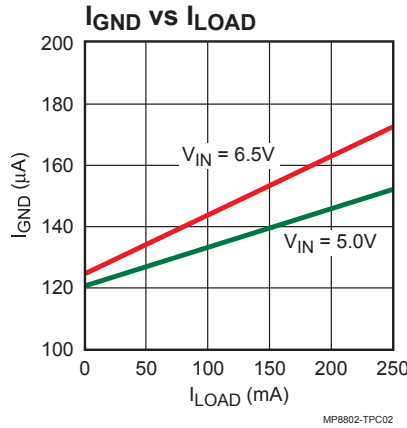
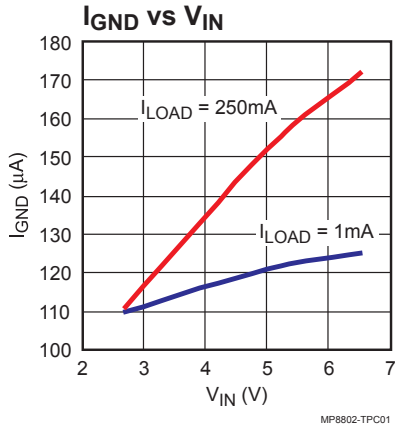
Parameter	Symbol	Condition	Min	Typ <sup>(5)</sup>	Max	Units
Operating Voltage		$I_{OUT} = 1mA$	2.7		6.5	V
Output Voltage Accuracy		$I_{OUT} = 1mA$ , $V_{OUT} = 1.25V$ to $5V$	2.0	$\pm 1.0$	2.0	%
Ground Pin Current		$I_{OUT} = 1mA$ – $250mA$		125	155	$\mu A$
Shutdown Current		$V_{EN} = 0V$ , $V_{IN} = 5V$		0.1	1	$\mu A$
FB Regulation Voltage			1.197	1.222	1.246	V
		$-40^{\circ}C \leq T_A \leq +85^{\circ}C$	1.194	1.222	1.249	
Dropout Voltage <sup>(6)</sup>		$I_{OUT} = 250mA$	$V_{OUT} = 3V$	230		mV
			$V_{OUT} = 4V$	190		
Line Regulation		$I_{OUT} = 1mA$ , $V_{IN} = (V_{OUT} + 0.5V)$ to $6.5V$ <sup>(7)</sup>		0.005	0.08	%/V
Load Regulation		$I_{OUT} = 1mA$ to $250mA$ , $V_{IN} = V_{OUT} + 0.5V$ <sup>(7)</sup>		0.001	0.02	%/mA
PSRR		$V_{IN} > V_{OUT} + 0.5V$ , $C_{OUT} = 2.2\mu F$ , $V_{IN}(AC) = 100mV$ , $f = 1kHz$		70		dB
		$V_{IN} > V_{OUT} + 0.5V$ , $C_{OUT} = 2.2\mu F$ , $V_{IN}(AC) = 100mV$ , $f = 1MHz$		30		dB
Output Voltage Noise		$f = 1kHz$ , $C_{FB} > 0.1\mu F$ , $I_{OUT} = 1mA$		300		$nV/\sqrt{Hz}$
EN Input High Voltage					1.5	V
EN Input Low Voltage			0.4			V
EN Input Bias Current		$V_{EN} = 0V$ , $5V$		0.01	1	$\mu A$
Thermal Protection				155		$^{\circ}C$
Thermal Protection Hysteresis				30		$^{\circ}C$

### Notes:

- 5) Parameter is guaranteed by design, not production tested.
- 6) Dropout Voltage is defined as the input to output differential when the output voltage drops 1% below its normal value.
- 7)  $V_{IN} = 2.7V$  for  $V_{OUT} = 1.25V$  to  $2.2V$

## TYPICAL PERFORMANCE CHARACTERISTICS

$V_{IN} = 4.5V$ ,  $V_{OUT} = 2.85V$ ,  $C1 = 1\mu F$ ,  $C2 = 0.1\mu F$ ,  $C3 = 2.2\mu F$ ,  $T_A = +25^\circ C$  unless otherwise noted.



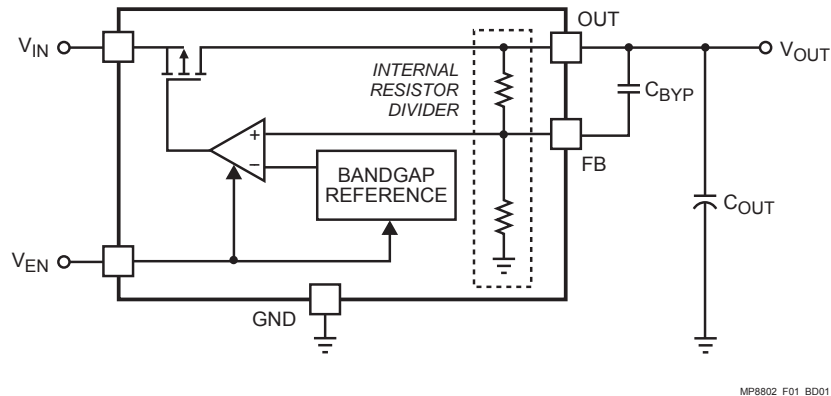
## PIN FUNCTIONS

Pin #	Name	Description
1	IN	Power Source Input. IN supplies the internal power to the MP8802 and is the source of the pass transistor. Bypass IN to GND with a 1µF or greater capacitor.
2	GND	Ground.
3	EN	Enable Input. Drive EN high to turn on the MP8802, drive EN low to turn it off. For automatic startup, connect EN to IN.
4	FB	Feedback Input. Connect a resistive voltage divider from OUT to FB to set the output voltage. OUT feedback threshold is 1.222V.
5	OUT	Regulator Output. OUT is the output of the linear regulator. Bypass OUT to GND with a 1µF or greater capacitor.

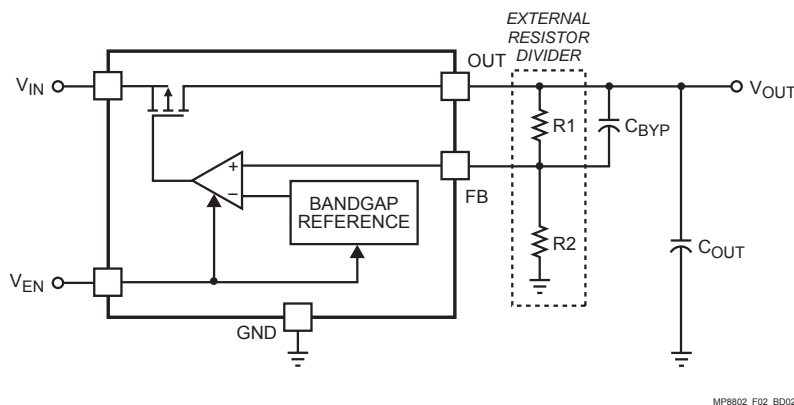
## OPERATION

The MP8802 is a low-current, low-noise, high-PSRR, low-dropout, linear regulator. It is intended for use in devices that require very low noise power supplies and high-PSRR such as PLL VCO supplies for mobile handsets and 802.11 PC Cards, as well as audio codecs and

microphones. The MP8802 uses a PMOS pass element and features internal thermal shutdown. As shown in Figures 1 and 2, optional feed-forward capacitor  $C_{BYP}$  may be added between FB and OUT pins for an improved transient response.



**Figure 1—Ultra-Low-Noise Fixed Output Regulator**



**Figure 2—Ultra-Low-Noise Adjustable Regulator:  $V_{OUT} = V_{FB}(1+(R1/R2))$**

## APPLICATION INFORMATION

### SETTING THE OUTPUT VOLTAGE

The fixed output voltage of the MP8802DJ is set to 2.5V, 2.85V or 3.3V, depending on the internal resistor divider (Figure 1). You can also adjust the output voltage by using an external resistor divider (R1 and R2 in Figure 2). However, the sum of R1 and R2 should not exceed 100kΩ to minimize the impact of the internal resistor divider. For accurate output-voltage setting, it is suggested to use 10kΩ (±1%) for the low-side resistor R2 of the voltage divider, the high side resistor R1 can be determined by the equation:

$$R1 = R2 \times \left( \frac{V_{OUT} - V_{FB}}{V_{FB}} \right)$$

Where  $V_{FB}$  is the OUT feedback threshold voltage equal to 1.222V.

Example: For 2.5V Output

$$R1 = \frac{2.5V - 1.222V}{\left( \frac{1.222V}{10k\Omega} \right)} = 10.41k\Omega$$

You can select a standard 10.5kΩ (±1%) resistor for R1.

The following table lists the selected R1 values for some typical output voltages:

**Table 1—Adjustable Output Voltage R1 Values**

$V_{OUT}$ (V)	R1 (Ω)
1.25	232
1.5	2.26k
1.8	4.75k
2	6.34k
2.5	10.5k
2.8	13k
3	14.7k
3.3	16.9k
4	22.6k
5	30.9k

In Figures 3 and 4, C2 is added for an improved transient response.

## PCB Layout Guide

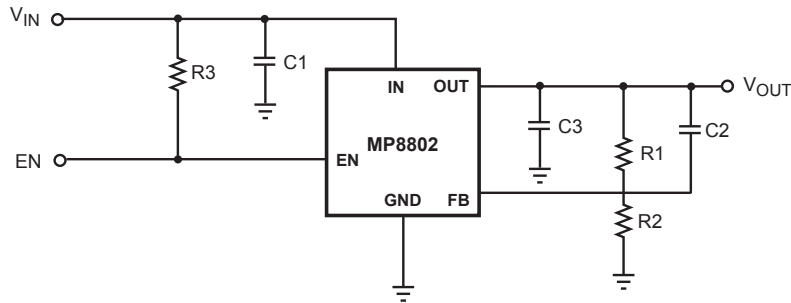
PCB layout is very important to achieve good regulation, ripple rejection, transient response and thermal performance. It is highly recommended to duplicate EVB layout for optimum performance.

If change is necessary, please follow these guidelines and take figure 5 for reference.

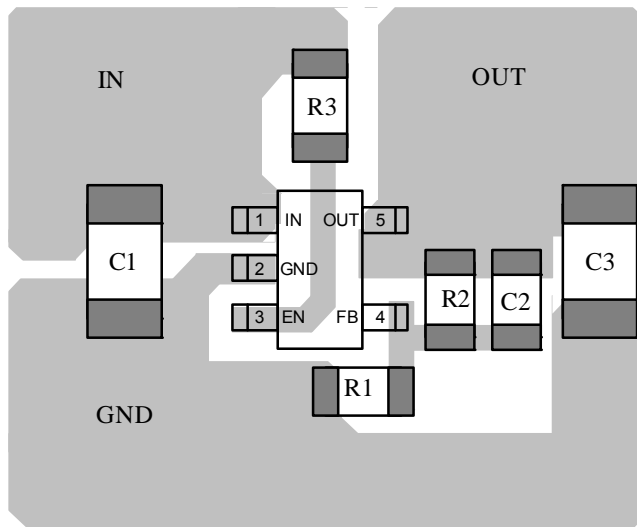
1) Input and output bypass ceramic capacitors are suggested to be put close to the IN Pin and OUT Pin respectively.

2) Ensure all feedback connections are short and direct. Place the feedback resistors and compensation components as close to the chip as possible.

3) Connect IN, OUT and especially GND respectively to a large copper area to cool the chip to improve thermal performance and long-term reliability.



MP8802\_F05\_TAC03



**Top Layer**

**Figure 5—PCB Layout**

TYPICAL APPLICATION CIRCUIT

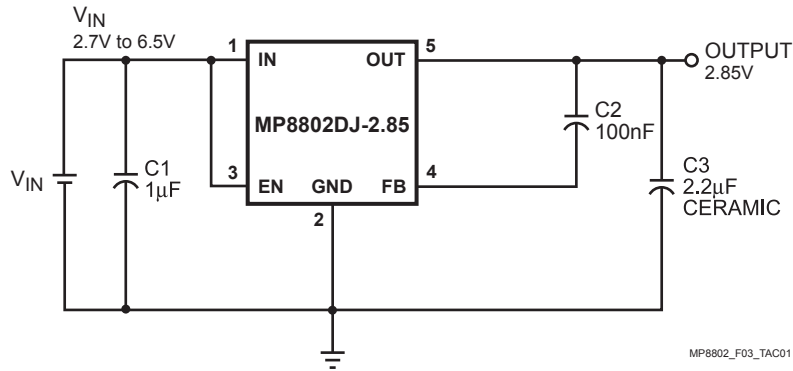


Figure 3—Typical Application Circuit (Fixed)

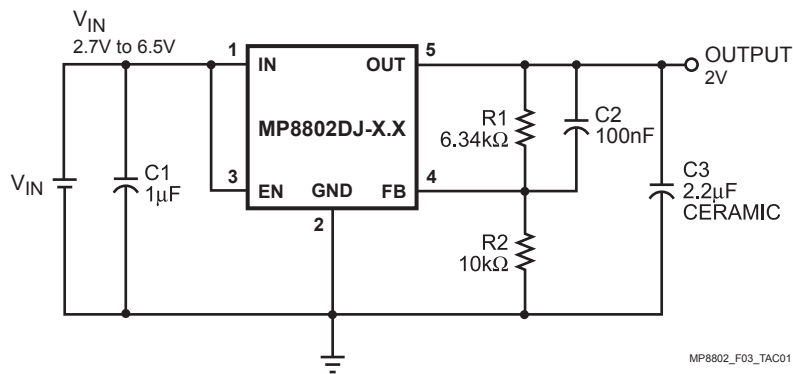
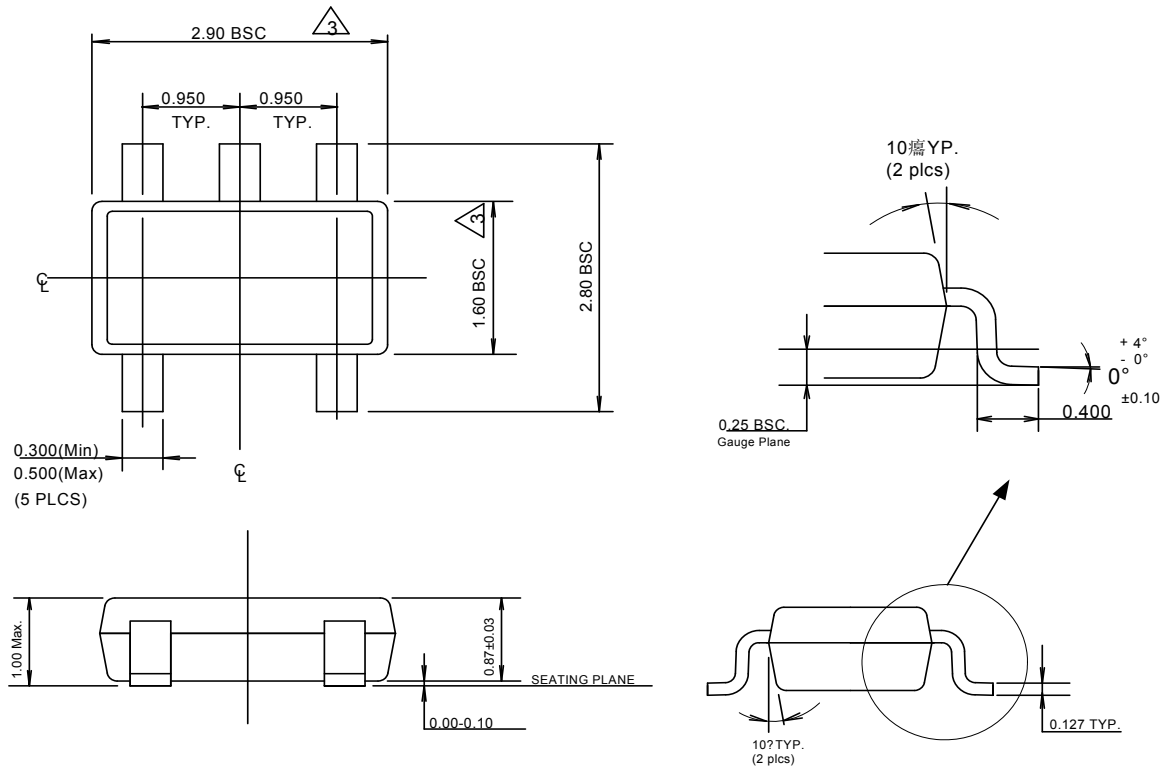


Figure 4—Typical Application Circuit (Adjustable)



**PACKAGE INFORMATION**
**TSOT23-5**


Dimensions are in millimeters

**NOTE:**

1. Dimensions and tolerances are as per ANSI Y14.5M, 1994.
2. Die is facing up for mold. Die is facing down for trim/form, ie. reverse trim/form.
3. Dimensions are exclusive of mold flash and gate burr.
4. The footlength measuring is based on the gauge plane method.
5. All specification comply to Jedec Spec MO193 Issue C.

**NOTICE:** The information in this document is subject to change without notice. Please contact MPS for current specifications. Users should warrant and guarantee that third party Intellectual Property rights are not infringed upon when integrating MPS products into any application. MPS will not assume any legal responsibility for any said applications.