
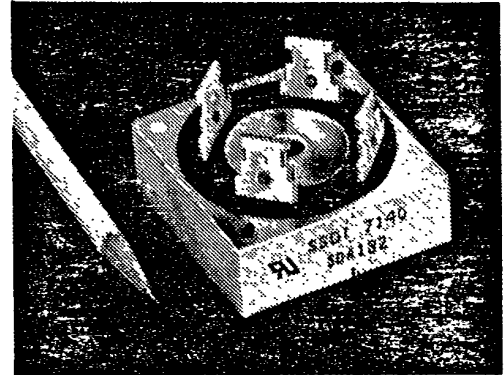


50 amp bridge rectifier assembly

SSDI

- UNDERWRITERS LABORATORY
RECOGNIZED 
- AVERAGE OUTPUT CURRENT 50 AMPS
- PIV 50 TO 1000 VOLTS
- MAX THERMAL RESISTANCE .5° C/WATT
- ALL WELDED INTERCONNECTS
- HERMETICALLY SEALED DIODE CELLS
- ALL MACHINED ALUMINUM CASE
- UNIVERSAL 2 WAY SOLDER TERMINALS



SSDI introduces a new and complete line of Single Phase, Rectifier Bridge Assemblies. Designed in machined aluminum cases to provide maximum thermal conductivity and simple installation. Universal 2 way solder terminals provide the designer a choice of wire wrap or soldering hole. This series features SSDI's exclusive glass passivated rectifier cells and welded interconnects for high reliability and mechanical strength. Fast recovery bridges are available on special order. Consult your factory representative for engineering assistance.

Type	PIV per leg	Sine Wave RMS input Voltage Max.	Average DC Output Amps TC = (case temp.)			Peak 1 Cycle Forward Surge	Peak Recurrent Forward	VF Max. per leg 25A DC	Reverse Current (IR Max. per leg. @ PIV)	
			55 °C	100 °C	125 °C				25 °C	100 °C
	VOLTS	VOLTS	AMPS	AMPS	AMPS	AMPS	AMPS	VOLTS	UA	UA
SDA 132 A	50	35	50	33	16	400	200	1.1	5	100
SDA 132 B	100	70	50	33	16	400	200	1.1	5	100
SDA 132 C	200	140	50	33	16	400	200	1.1	5	100
SDA 132 D	400	280	50	33	16	400	200	1.1	5	100
SDA 132 E	600	420	50	33	16	400	200	1.1	5	100
SDA 132 F	800	560	50	33	16	400	200	1.1	5	100
SDA 132 G	1000	700	50	33	16	400	200	1.1	5	100

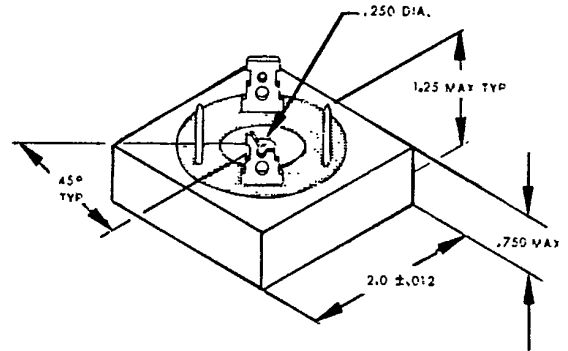
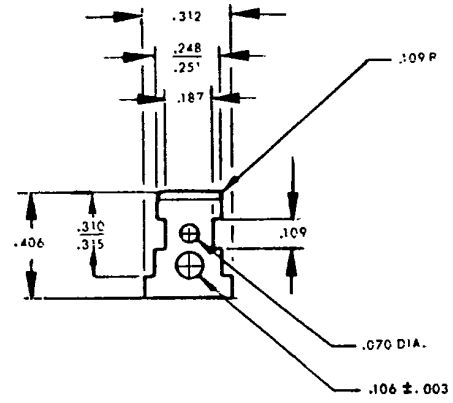
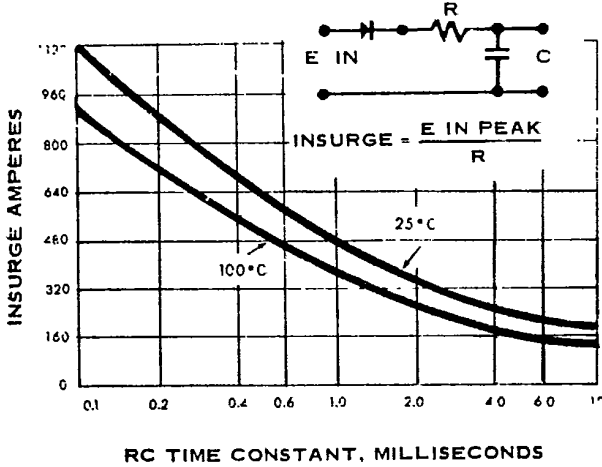
SSDI

SOLID STATE DEVICES, INC.

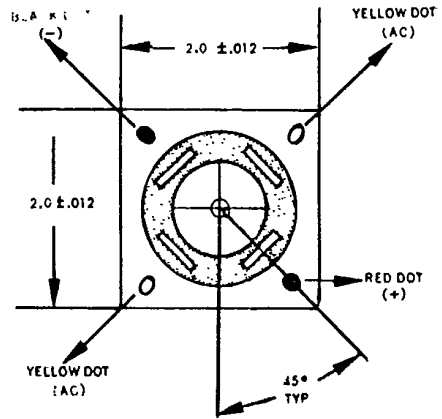
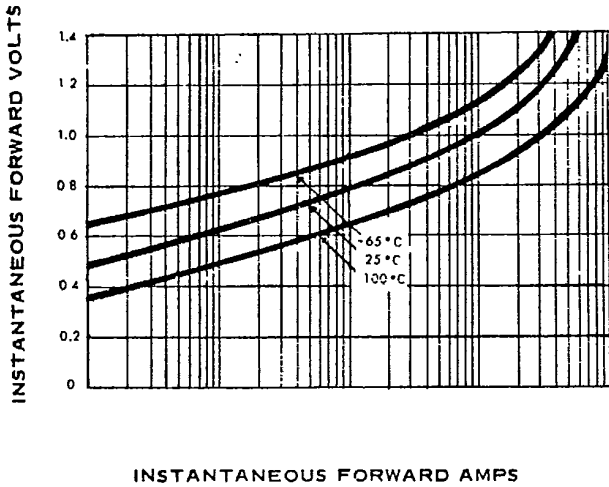
SSDII

application notes

MAXIMUM RATINGS FOR CAPACITY LOADS



TYPICAL DYNAMIC FORWARD CHARACTERISTICS AT VARIOUS JUNCTION TEMPERATURES PER LEG



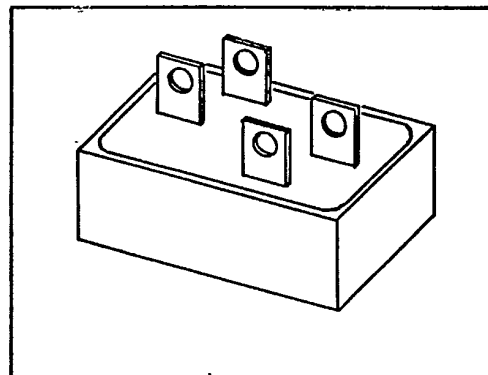
TOLERANCE XX ± .03
 XXX ± .020
 FRACTIONAL = NOMINAL DIMENSION

SSDII SOLID STATE DEVICES, INC.

SDA263-1 FAST RECOVERY 75 AMP SINGLE PHASE BRIDGE RECTIFIER ASSEMBLY

T-25-09

- AVERAGE OUTPUT 75 AMPS
- PIV 50 - 1,000 VOLTS
- FAST RECOVERY, LESS THAN 200 NSEC.*
- ALUMINUM CASE
- CASE ELECTRICALLY INSULATED
- HERMETICALLY SEALED DIODE CELLS
- -55 TO +150°C OPERATING & STORAGE TEMPERATURE
- MAXIMUM THERMAL RESISTANCE 1°C/WATT
- THREADED HOLES FOR EASE OF INSTALLATION



SSDI introduces a new and complete line of high current single phase fast recovery bridge rectifier assemblies. Designed in aluminum cases to provide maximum thermal conductivity and simple installation. This series features hermetically sealed diode cells. Hi Rel versions and faster versions are also available. Consult your factory representative for engineering assistance.

Type	PIV per leg	Sine Wave RMS input Voltage Max.	Average DC Output Amps TC = (case temp.)		Reverse * Recovery Time T_{rr}	Peak 1 Cycle Forward Surge	Peak Recurrent Forward	VF Max per leg @10 ADC	Reverse Current (I_R Max. per leg. @ PIV)	
			50°C	100°C					25°C	100°C
	VOLTS	VOLTS	AMPS	AMPS	Max ns	AMPS	AMPS	VOLTS	UA	UA
SDA263AF-1	50	35	75	54	200	375	125	1.2	5	100
SDA263BF-1	100	70	75	54	200	375	125	1.2	5	100
SDA263CF-1	200	140	75	54	200	375	125	1.2	5	100
SDA263DF-1	400	280	75	54	200	375	125	1.2	5	100
SDA263EF-1	600	420	75	54	200	375	125	1.2	5	100
SDA263FF-1	800	560	75	54	200	375	125	1.2	5	100
SDA263GF-1	1000	700	75	54	200	375	125	1.2	5	100

7/86

*Recovery time conditions; $I_F = .5A$, $I_R = 1A$, $I_{rr} = .25A$

NOTE: Specifications Subject to Change Without Notice.

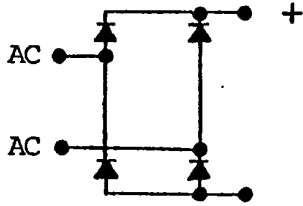


SOLID STATE DEVICES, INC 12E D 8366011 0002025 9

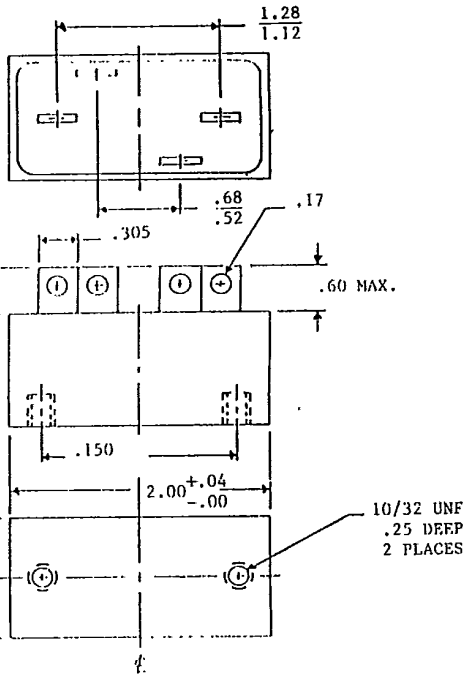
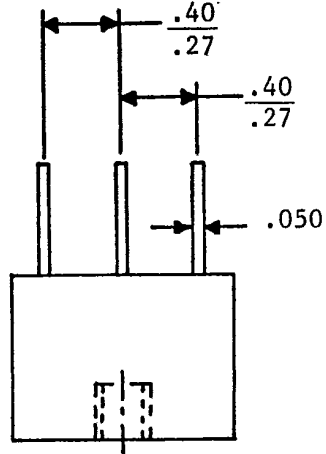
SOLID STATE DEVICES INC



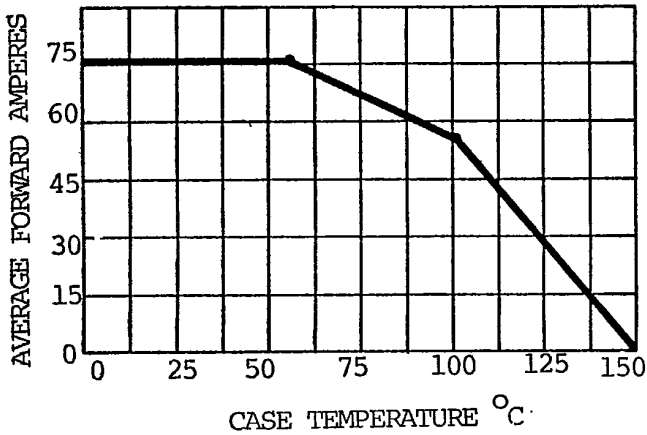
APPLICATION NOTES



SCHEMATIC DIAGRAM



TEMPERATURE HEATING CURVE



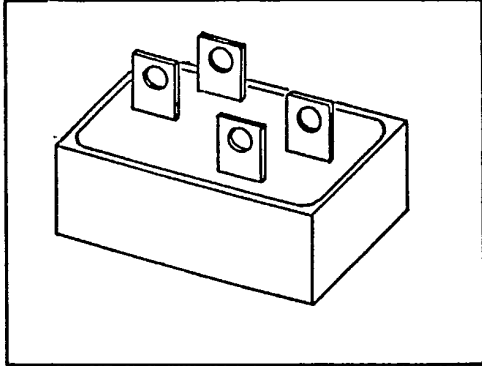
SOLID STATE DEVICES, INC.

T-23-09

SDA263-1

SINGLE PHASE 100 AMP BRIDGE RECTIFIER ASSEMBLY

- AVERAGE OUTPUT 100 AMPS
- PIV 50 - 1000 VOLTS
- ALUMINUM CASE
- CASE ELECTRICALLY INSULATED
- HERMETICALLY SEALED DIODE CELLS
- -55 TO +150°C OPERATING & STORAGE TEMPERATURE
- MAXIMUM THERMAL RESISTANCE 1°C/WATT
- THREADED HOLES FOR EASE OF INSTALLATION



SSDI introduces a new and complete line of high current single phase bridge rectifier assemblies. Designed in aluminum cases to provide maximum thermal conductivity and simple installation. This series features hermetically sealed diode cells. Fast Recovery and Hi Rel versions are also available. Consult your factory representative for engineering assistance.

Type	PIV per leg	Sine Wave RMS input Voltage Max.	Average DC Output Amps TC = (case temp.)		Peak 1 Cycle Forward Surge	Peak Recurrent Forward	VF Max per leg @10 ADC	Reverse Current (I _R Max. per leg. @ PIV)	
			50°C	100°C				25°C	100°C
			AMPS	AMPS				UA	UA
SDA263A-1	50	35	100	72	375	125	1.2	5	100
SDA263B-1	100	70	100	72	375	125	1.2	5	100
SDA263C-1	200	140	100	72	375	125	1.2	5	100
SDA263D-1	400	280	100	72	375	125	1.2	5	100
SDA263E-1	600	420	100	72	375	125	1.2	5	100
SDA263F-1	800	560	100	72	375	125	1.2	5	100
SDA263G-1	1000	700	100	72	375	125	1.2	5	100

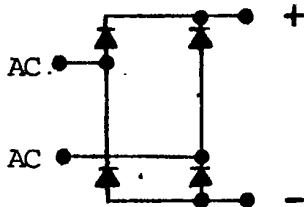
6/86

NOTE: Specifications Subject to Change Without Notice.

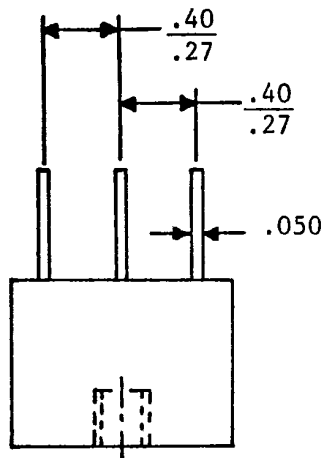




APPLICATION NOTES



SCHEMATIC DIAGRAM



TEMPERATURE DERATING CURVE

