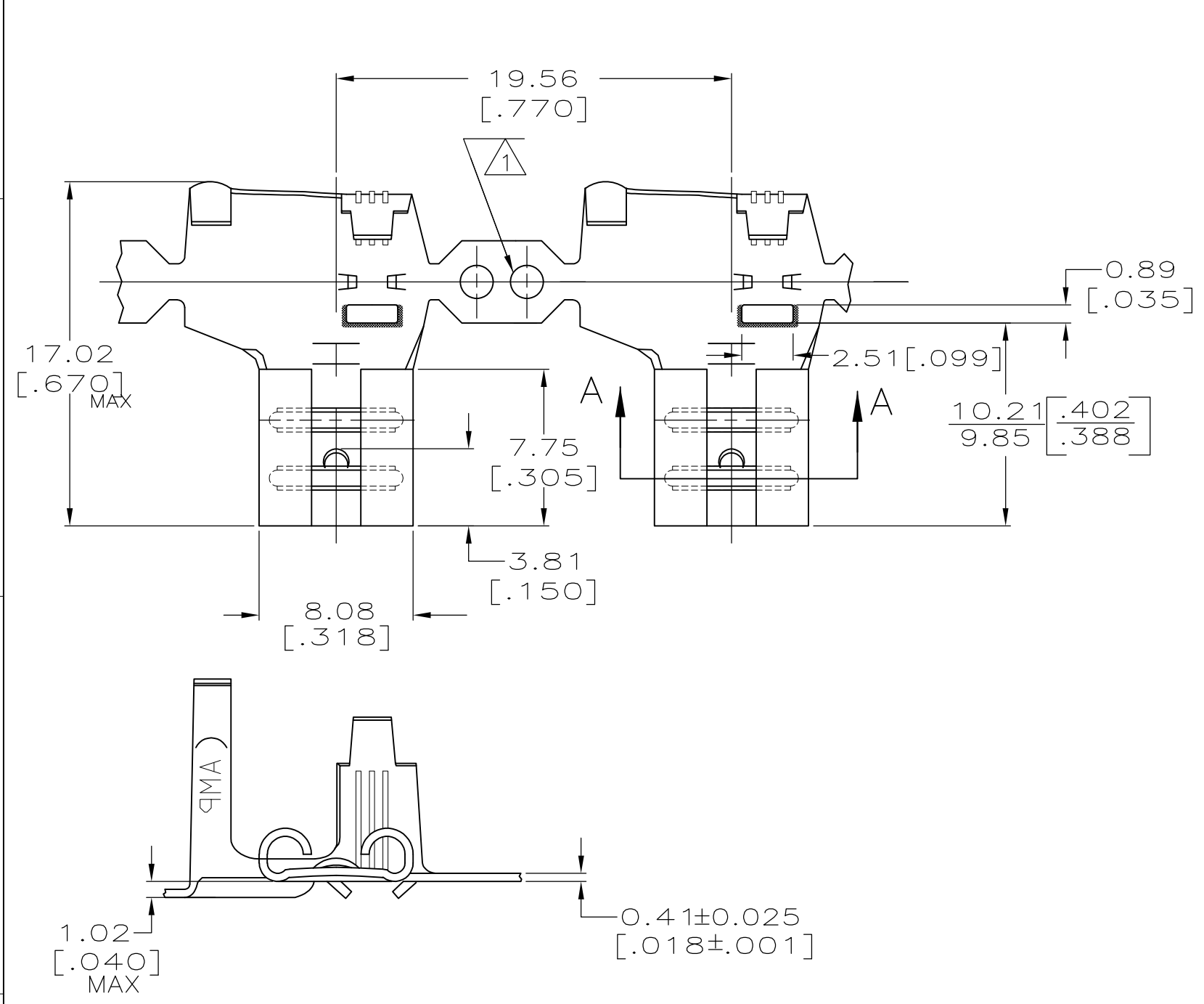
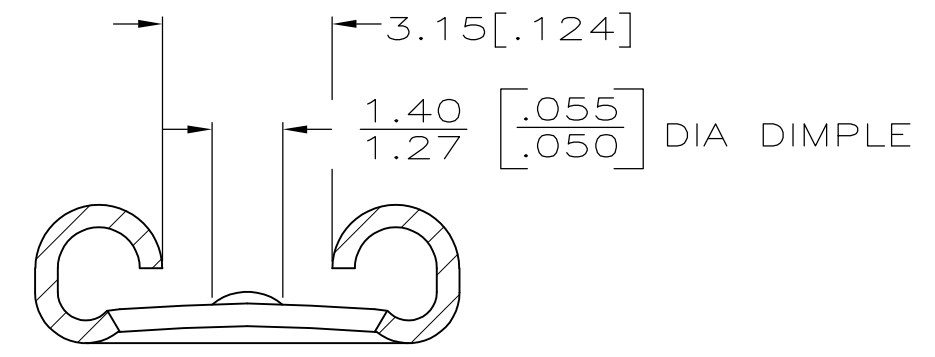


LOC	DIST	REVISIONS					
AF	50	P	LTR	DESCRIPTION	DATE	DWN	APVD
		D		REVISED PER ECR-11-018063	07DEC11	KH	PD



- 1 SINGLE OR DOUBLE PILOT HOLE OPTIONAL
- 2 MATING TAB THK IS 0.81±0.025 [.032±.001]
- 3 INSULATION SIZE IS 2.79-5.33 [.110-.210] DIA.
- 4 WIRE SIZE IS [#18-#12] AWG.



SECTION A-A  
SCALE 8:1

1217403-1  
PART NO

THIS DRAWING IS A CONTROLLED DOCUMENT.		DWN	JR RUTH	02MAY00	TE Connectivity			
DIMENSIONS: mm [INCHES]		CHK	MS FEHER	02MAY00				
		TOLERANCES UNLESS OTHERWISE SPECIFIED:		APVD	NAME			
0 PLC ± - 1 PLC ± - 2 PLC ± - 3 PLC ± .015 4 PLC ± - ANGLES ± -		PRODUCT SPEC		RECEPTACLE, FASTON, FLAG, .250 SERIES				
MATERIAL #3H PHOS BRZ		FINISH TIN		APVD	SIZE	CAGE CODE	DRAWING NO	RESTRICTED TO
				WEIGHT	A3	00779	C-1217403	-
				CUSTOMER DRAWING		SCALE	4:1	SHEET
						1 of 1		REV
								D