

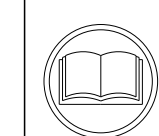
ATLANTIC VERSION TERMINATOR INTERFACE ADAPTER	PART NUMBER	REVISION	DESCRIPTION	FEED TYPE	APPLICATOR STYLE CONVERSION CHART						
					CONVERT TO	PART NUMBERS REQUIRED					
	2266315-2	A	FINE CRIMP HEIGHT ADJUST	PNEUMATIC	-	-	-	-	-	-	
	2266315-5	A	FINE CRIMP HEIGHT ADJUST	SERVO LATCH PLATE ⁴	SERVO LATCH PLATE	2119951-1	-	8-2266315-5	1901094-3	-	2168400-6 (QUANTITY 2)
	2266315-6	A	NON-CRIMP HEIGHT ADJUST	SERVO LATCH PLATE ¹¹	PNEUMATIC FEED	2119950-1	1338685-1	5-18022-5	2119641-1	2119799-1	2063440-2
	2266315-7	A	FINE CRIMP HEIGHT ADJUST	NONE	-	-	-	-	-	-	-
	7-2266315-7	A	CRIMP TOOLING KIT	-	-	-	-	-	-	-	-

APPLICATOR DATA		
CRIMP	SIZE	TYPE
WIRE	3.56 mm [.140]	F
INSUL	5.59 mm [.220]	F

APPLICATOR INSTRUCTIONS 408-10389

TERMINAL DATA: TE TERMINAL		TE CRIMP SPECIFICATION	
TERMINAL NAME: RING & SPADE			
WIRE STRIP LENGTH		INSULATION DIAMETER RANGE	
4.98-5.36 mm [.196-.211 IN]		Ø2.03-2.92 mm [.080-.115 IN]	
TERMINAL APPLICATION SPECIFICATION	114-2084		
TERMINALS APPLIED ¹⁰ ¹¹			
TE TERMINAL	TE TERMINAL	TE TERMINAL	TE TERMINAL
61867-2	61863-2	61857-2	

WIRE SIZE	CRIMP HEIGHT mm [INCH]	CRIMP HEIGHT REFERENCE SETTING
14 AWG	2.41+/-0.05 [.095+/- .002]	8.9
16 AWG	2.24+/-0.05 [.088+/- .002]	10.7
18 AWG	2.13+/-0.05 [.084+/- .002]	11.7



- ¹ RECOMMENDED SPARE PARTS
- ² GREASE BEARING SURFACES LIGHTLY
- 3. LUBRICATE DAILY PER THE APPLICATOR INSTRUCTION SHEET SUPPLIED WITH THE APPLICATOR.
- ⁴ APPLICATOR SPECIFIC DATA TO BE ENTERED INTO BLANK MEMORY CHIP AT ASSEMBLY. SEE BELOW FOR PART NUMBER:
 PNEUMATIC FEED WITH "SMART APPLICATOR" CONVERSION: 8-2266315-4
 SERVO FEED WITH "FINE CRIMP HEIGHT ADJUST": 8-2266315-5
 SERVO FEED WITH "NON-CRIMP HEIGHT ADJUST": 8-2266315-6
- 5. ADJUSTMENT OF THE STRIPPER MAY BE REQUIRED WHEN MOVING THE APPLICATOR BETWEEN BENCH AND LEADMAKER APPLICATIONS.
- ⁶ APPLY PART NUMBER 1-23419-5 LOCTITE TO THREADS OF ITEM 62. APPLY PART NUMBER 2-23419-6 LOCTITE TO THREADS OF ITEM 242. FOR -6 ONLY APPLY PART NUMBER 1-23419-5 LOCTITE TO THREADS OF ITEM 37.
- ⁷ GREASE THREADS, GROOVE AND O-RING ON ITEMS 35 & 252.
- ⁸ MAGNET, ITEM 166 MUST BE ORIENTED CORRECTLY IN ORDER TO PROPERLY ACTUATE THE COUNTER.
- ⁹ CRIMP HEIGHT REFERENCE SETTING WAS THE SETTING USED WHEN THE APPLICATOR WAS QUALIFIED AT THE FACTORY. ADJUSTMENT MAY BE NECESSARY WHEN RUNNING APPLICATOR IN THE FIELD.
- ¹⁰ TERMINAL PITCH NOT COMPATIBLE WITH MECHANICAL FEED.
- ¹¹ TO CONVERT THE APPLICATOR TO A NON-CARRIER CUTTING STYLE, REMOVE ITEM 13 AND ATTACH TO THE LOCATION ON THE BACK SIDE OF THE HOUSING. REFER TO INSTRUCTION SHEET FOR ADDITIONAL INFORMATION.
- ¹² WHEN ASSEMBLING A NON CRIMP HEIGHT ADJUST APPLICATOR (-6) USE SHIMS FROM ITEM 260 TO ACHIEVE A NOMINAL SHIM HEIGHT OF 3.39.
- ¹³ FEED FOR TERMINAL 61867 & 61863 IS 23.11 [.910 IN]. FEED FOR TERMINAL 61857 IS 17.98 [.708 IN]. FEED ADJUSTMENTS MAY BE REQUIRED WHEN SWITCHING TERMINALS.

***WARNING**
 ON INSTALLATION, SET WIRE DISC, ITEM 40 TO LARGEST WIRE SIZE SETTING. USE OF SETTINGS BELOW MINIMUM REQUIRED CRIMP HEIGHT SETTING WILL CAUSE DAMAGE TO CRIMP TOOLING.

ATLANTIC VERSION
 Shown on sheets 1 of 4 & 2 of 4
 (Pacific version shown on sheets 3 of 4 & 4 of 4)

SET UP GAUGE	LOC	DIST	REVISIONS				
2119599-1	A	66	P LTR	DESCRIPTION	DATE	OWN	APVD
			A	RELEASED	27AUG2014	RK	GB

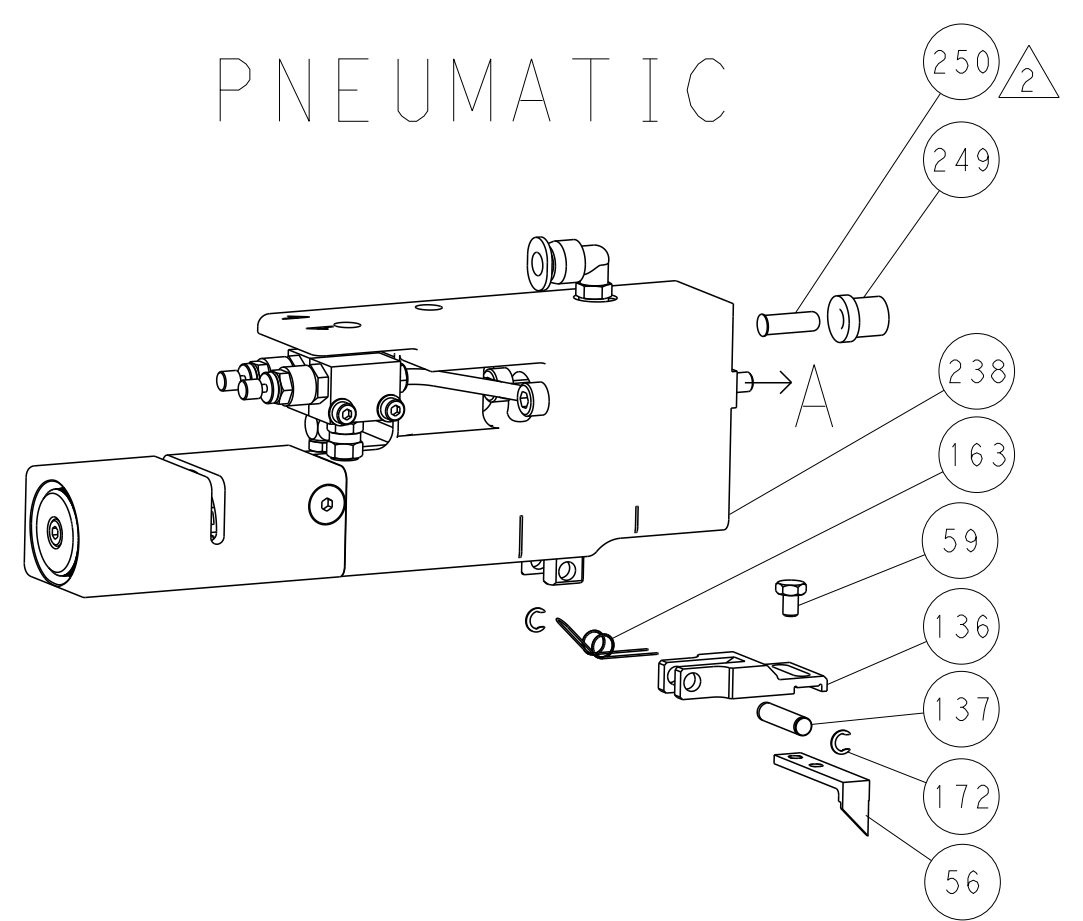
-	-	1	-	-	2119957-2	APPLICATOR SHIM PACK	260
-	1	1	1	1	1803078-4	SPACER, PRECISION	259
-	1	-	1	1	8-21084-0	O-RING, .676 ID, .070 DIA. MAT.	252
-	-	-	-	1	2119640-1	PUSH ROD, AIR FEED	250
-	-	-	-	1	2079988-1	BUSHING, LCH5-12, MISUMI	249
-	-	-	-	1	2119641-1	FEED CAM, AIR FEED	248
-	1	-	1	1	2119798-1	DETENT PIN	247
-	1	-	1	1	1-22279-3	SPRING, COMPRESSION	246
-	-	1	-	-	2161314-1	RAM, STEPPED, ATLANTIC, SF, NON-ADJ	245
-	1	1	1	1	2119082-2	CAM, SNAIL, INSULATION ADJUSTMENT	244
-	1	1	1	1	2079764-1	WASHER, WAVE SPRING, CREST-TO-CREST	243
-	1	1	1	1	2119083-1	RETAINER, INSULATION DIAL	242
-	1	1	1	1	7-18023-7	SCR, SKT HD CAP M3 X 4.0	241
-	-	2	2	-	2168400-6	SHCS, LOW HEAD, RoHS, M5 X 16	240
-	-	-	-	1	2063440-2	AIR FEED MODULE	238
-	-	1	1	-	2119740-2	TAG, IDENTIFICATION	213
-	-	1	1	-	1901094-3	SPACER, FEEDER	198
-	-	-	-	2	21045-3	RING, RETAIN, EXTERN, 3/16 CRESCENT	172
-	1	1	1	1	994969-1	MAGNET, RARE EARTH HIGH ENERGY	166
-	REF	REF	REF	REF	994970-2	COUNTER, MAGNETIC	164
-	-	-	-	1	240638-1	SPRING, FEED FINGER	163
-	-	-	-	1	3-23627-7	PIN, RETAIN, GRVD, 3/16 X .854	137
-	-	-	-	1	2119799-1	HOLDER, FEED FINGER, AF	136
-	-	REF	REF	-	SEE NOTE 4	MEMORY CHIP, PROGRAMMED	135
-	-	1	1	-	1633743-1	SERVO FEED LATCH ASM	133
-	-	REF	REF	-	2119944-1	FEED FINGER ASSEMBLY, SF	117
-	1	1	1	1	2119955-1	ASSY, LUBRICATOR, SIDE FEED	113
-	1	1	1	1	1-455888-0	SPACER, CRIMPER	82
-	1	1	1	1	2119956-1	DOCUMENTATION PACKAGE	71
-	1	-	-	1	2119740-1	TAG, IDENTIFICATION	67
-	2	2	2	2	2168078-1	SCREW, DRIVE, RH, RoHS, 2 x .188	66
-	1	-	1	1	2119793-1	LIMITER, ADJUSTMENT BOLT	63
-	3	-	3	3	992763-5	SCR, SET, SOC, CONE POINT, M3 x 4.0	62
-	1	1	1	1	2079383-4	SCR, BHSC, RoHS (M4 X 8)	60
-	-	-	-	1	5-18022-5	SCR, HEX HD CAP, M4 X 6.0	59
-	-	-	-	1	1338685-1	PAWL, FEED	56
-	4	4	4	4	2168400-1	SHCS, LOW HEAD, RoHS, M4 X 12	54
-	2	2	2	2	1-2168083-0	SCR, SKT HD CAP, RoHS, M4 X 10	53
-	1	1	1	1	5018030-1	NUT, HEX, REG, RoHS, M3	52
-	1	1	1	1	811242-5	BUMPER, HOLD DOWN	51
-	1	1	1	1	690753-2	SPACER, TONKER	50
-	-	-	-	1	18023-9	SCR, SKT HD CAP M4 X 6.0	49
-	1	1	1	1	2119656-9	APPLICATOR BASIC ASSEMBLY, SF	46
-	1	-	1	1	2161311-1	RAM, STEPPED, AMP STYLE, SIDE FEED	44
-	1	1	1	1	1-2079383-5	SCR, BHSC, RoHS (M8 X 40)	41
-	1	-	1	1	2119645-1	DISC, NUMBERED FA WIRE ADJUSTMENT	40
-	1	-	1	1	2119957-1	APPLICATOR SHIM PACK	39
-	1	1	1	1	2119644-3	RAM WASHER, PRECISION	38
-	1	1	1	1	2119085-1	FA HEAD, ATLANTIC STYLE	37
-	1	-	1	1	2119092-1	BOLT, ADJUSTMENT	35
-	1	1	1	1	1752356-1	SUPPORT, TERMINAL	34
-	2	2	2	2	2079383-5	SCR, BHSC, RoHS (M4 X 20)	33
-	1	1	1	1	2161328-1	HEX HEAD, FLANGED, M5 x 8mm LONG	32
-	1	1	1	1	1-1320908-2	SPACER, STRIP GUIDE	30
-	1	1	1	1	2119959-1	ASSEMBLY, STRIP GUIDE	29
-	1	1	1	1	455888-3	SPACER, CRIMPER	28
-	1	1	1	1	1320928-6	STRIP GUIDE	24
-	1	1	1	1	2168083-2	SCR, SKT HD CAP, RoHS, M4 X 8.0	21
-	2	2	2	2	1-18028-2	WASHER, FLAT, REG M4	20
-	1	1	1	1	2119533-1	STRIPPER, SIDE FEED	19
-	1	1	1	1	2119806-1	INSERT, SHEAR	13
-	1	1	1	1	3-22280-3	SPRING, COMPRESSION	12
-	1	1	1	1	1-356885-4	STOP, SHEAR	11
-	1	1	1	1	2119805-1	SHEAR HOLDER, FRONT	10
-	1	1	1	1	318707-1	FLOATING SHEAR, FRONT	9
-	1	1	1	1	1633137-7	ANVIL, COMBINATION .140	8
-	-	-	-	-	-	-	7
-	-	-	-	-	-	-	6
-	1	1	1	1	1-2119757-2	DEPRESSOR, SHEAR	5
-	1	1	1	1	4-238011-5	BLOCK, CRIMPER SPACER	4
-	1	1	1	1	4-1803016-1	CRIMPER, INSULATION F	3
-	1	1	1	1	1-455888-0	SPACER, CRIMPER	2
-	1	1	1	1	2-456411-2	CRIMPER, WIRE PREMIUM	1

DIMENSIONS:		TOLERANCES UNLESS OTHERWISE SPECIFIED:		OWN	CHK	DATE	NAME	
mm	0 PLC ±.5	1 PLC ±.5	2 PLC ±.13	H. HUANG	L. ZHANG	03JUN2014	TE Connectivity	
	3 PLC ±.013	4 PLC ±.0001	ANGLES ±.0001	U. GUO		03JUN2014	Ocean Side Feed Applicator	
MATERIAL	FINISH	WEIGHT	SCALE	Customer Accessible Production Drawing		1:2	SHEET 1 of 4	REV A

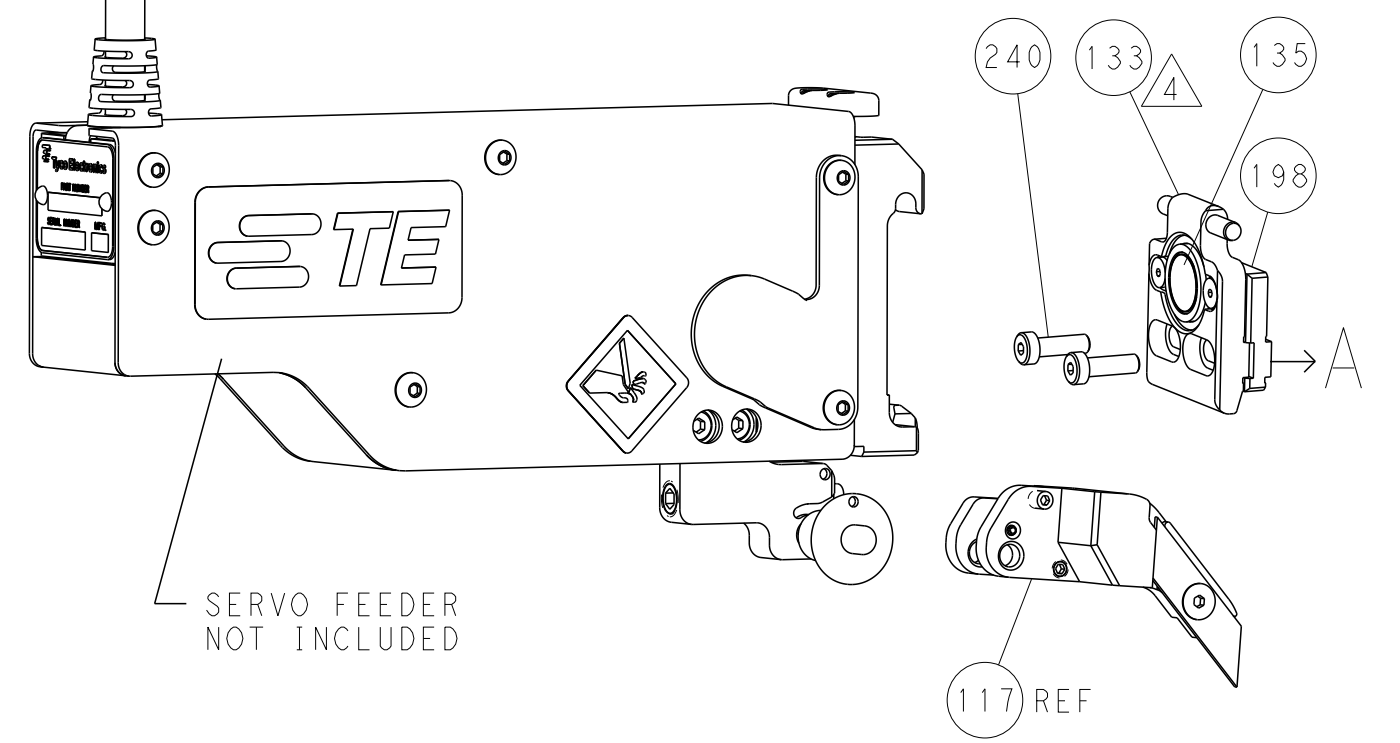
LOC	DIST	REV	DATE	BY	APPV
A	66				

FEED TYPE

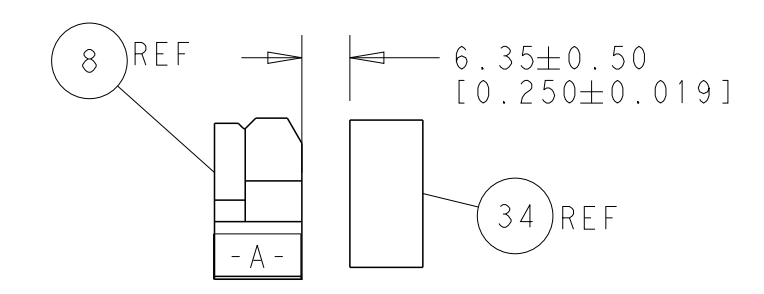
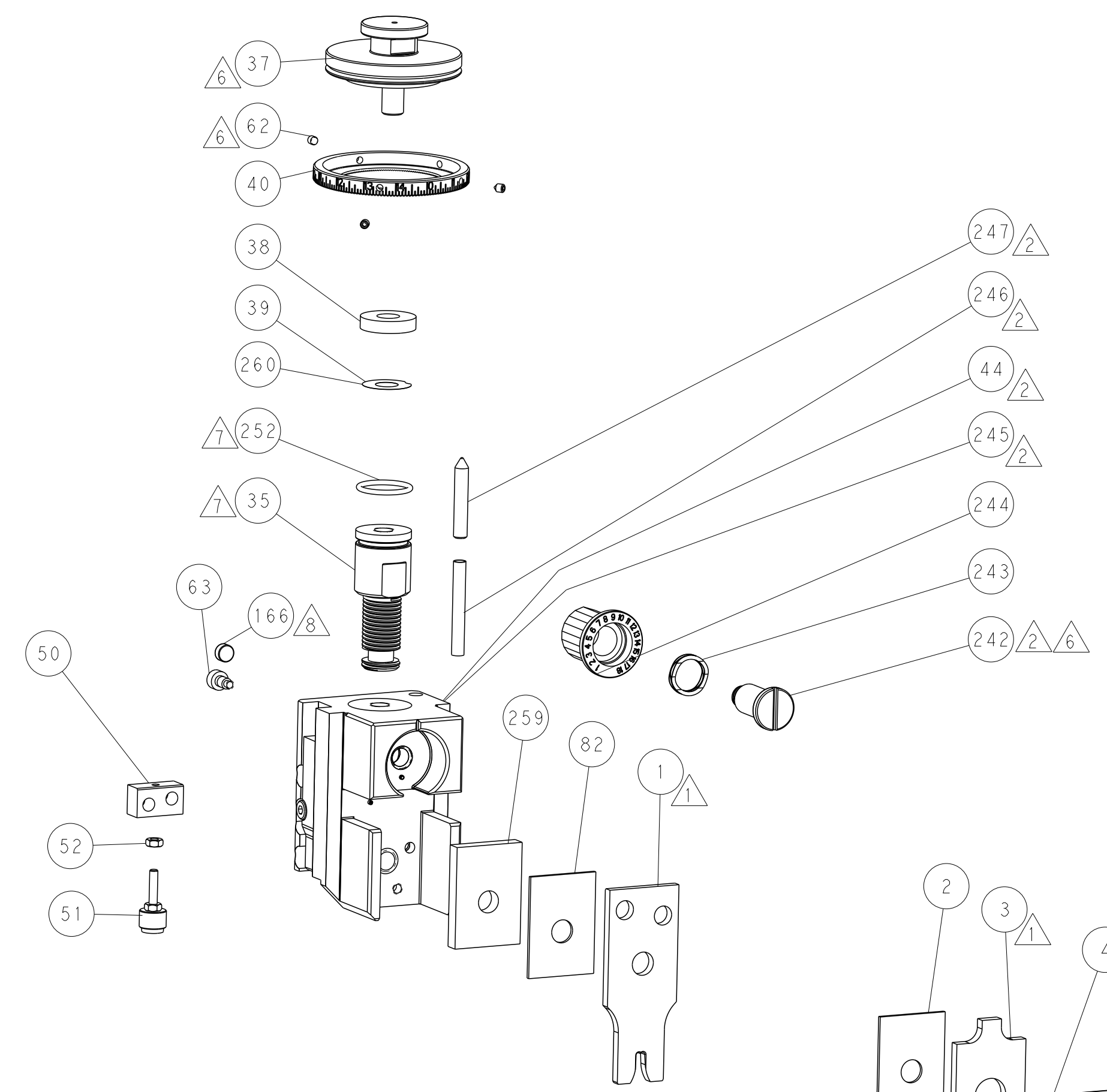
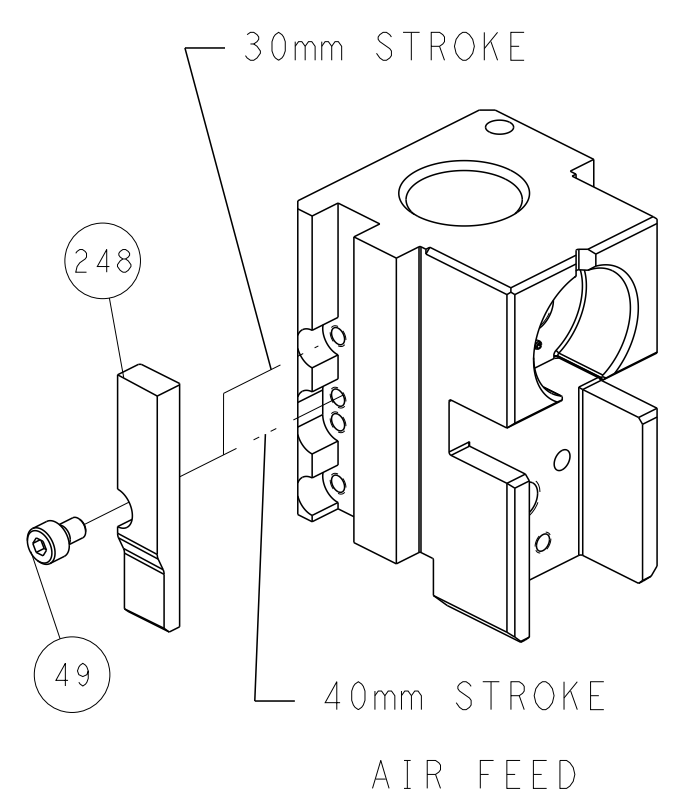
PNEUMATIC



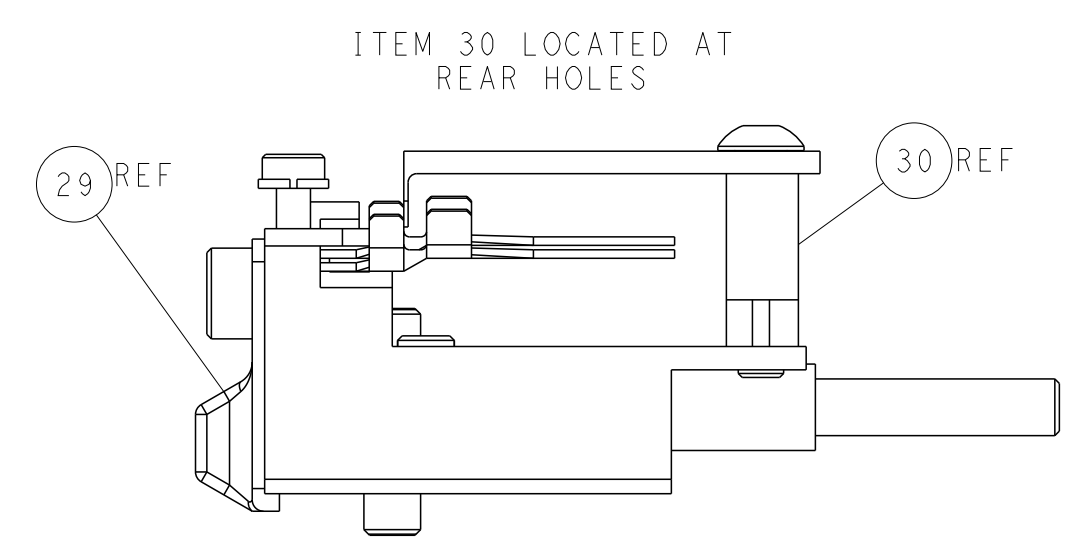
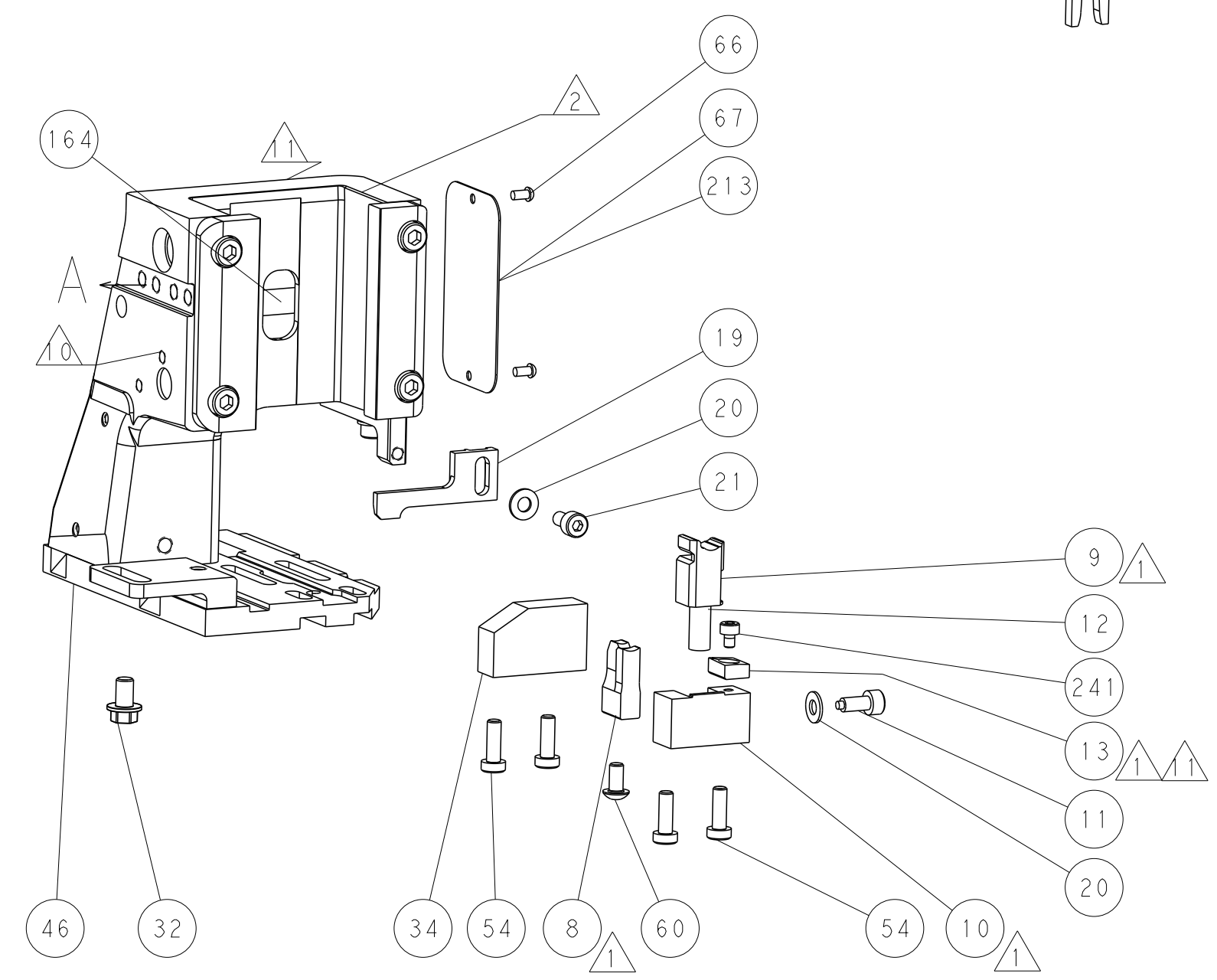
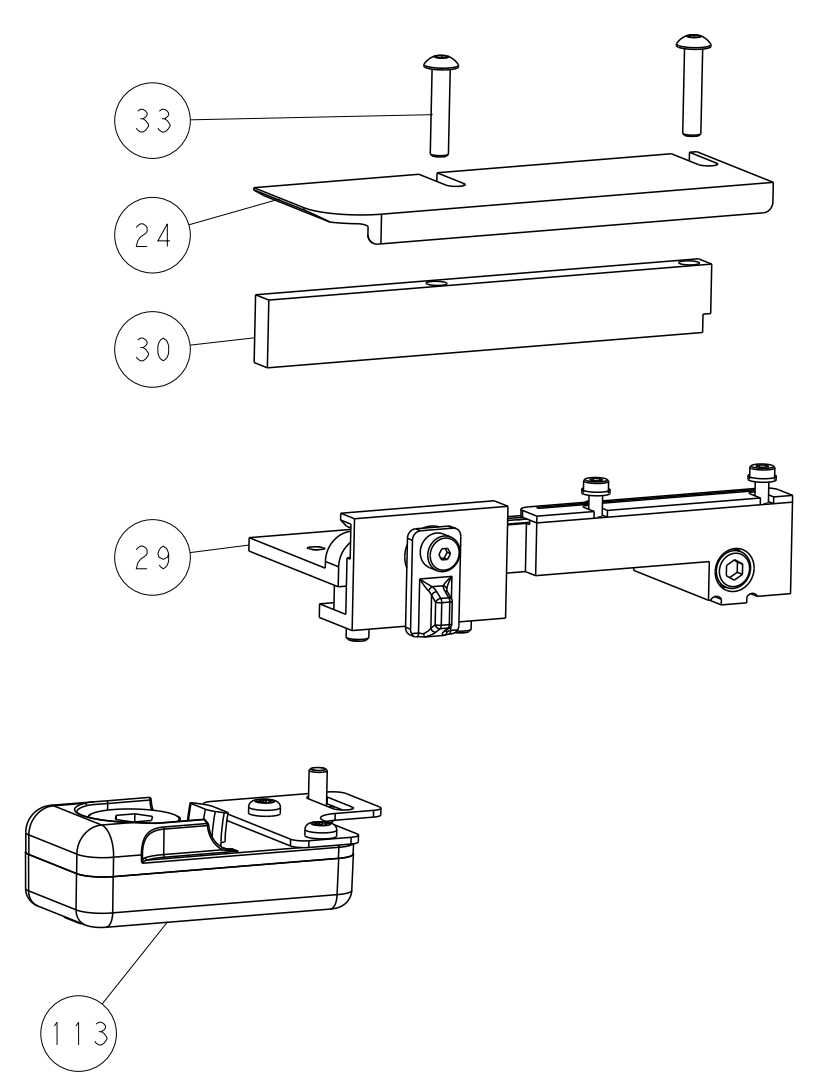
SERVO LATCH PLATE



CAM POSITION



TERMINAL SUPPORT LOCATION



FEED TRACK POSITION GUIDE BY INSULATION BARREL

ATLANTIC VERSION
 Shown on sheets 1 of 4 & 2 of 4
 (Pacific version shown on sheets 3 of 4 & 4 of 4)

DIMENSIONS: mm 		TOLERANCES UNLESS OTHERWISE SPECIFIED: 0 PLC ±.5 1 PLC ±0.5 2 PLC ±0.13 3 PLC ±0.013 4 PLC ±0.001 ANGLES ±.0001		DWN R. HUANG 03JUN2014 CHK L. ZHANG 03JUN2014 APVD J. GUO 03JUN2014		NAME Ocean Side Feed Applicator	
MATERIAL:		FINISH:		WEIGHT:		SIZE CAGE CODE DRAWING NO RESTRICTED TO A1 00779 C=2266315	
Customer Accessible Production Drawing				SCALE 1:2		SHEET 2 OF 4 REV A	

PACIFIC VERSION TERMINATOR INTERFACE ADAPTER	PART NUMBER	REVISION	DESCRIPTION	FEED TYPE	CONVERT TO	PART NUMBERS REQUIRED					
	2-2266315-2	A	FINE CRIMP HEIGHT ADJUST	PNEUMATIC	-	-	-	-	-	-	
	2-2266315-5	A	FINE CRIMP HEIGHT ADJUST	SERVO LATCH PLATE ⁴	SERVO LATCH PLATE	2119951-1	-	8-2266315-5	1901094-3	-	2168400-6 (QUANTITY 2)
	2-2266315-7	A	FINE CRIMP HEIGHT ADJUST	NONE	SMART APPLICATOR	2161326-1	-	8-2266315-4	-	-	
	7-2266315-7	A	CRIMP TOOLING KIT	-	PNEUMATIC FEED	2119950-1	1338685-1	5-18022-5	2119641-2	2119799-1	2063440-2

APPLICATOR DATA		
CRIMP	SIZE	TYPE
WIRE	3.56 mm [1.40]	F
INSUL	5.59 mm [2.20]	F
APPLICATOR INSTRUCTIONS 408-10389		

TERMINAL DATA: TE TERMINAL		TE CRIMP SPECIFICATION	
TERMINAL NAME: RING & SPADE			
WIRE STRIP LENGTH		INSULATION DIAMETER RANGE	
4.98-5.36 mm [1.96-.211 IN]		Ø2.03-2.92 mm [0.080-.115 IN]	
TERMINAL APPLICATION SPECIFICATION	114-2084	-	-
TERMINALS APPLIED ¹ ₀ ² ₂			
TE TERMINAL	TE TERMINAL	TE TERMINAL	TE TERMINAL
61867-2	61863-2	61857-2	

WIRE SIZE	CRIMP HEIGHT mm [INCH]	CRIMP HEIGHT REFERENCE SETTING
14 AWG	2.41+/-0.05 [1.095+/-0.002]	8.9
16 AWG	2.24+/-0.05 [1.088+/-0.002]	10.7
18 AWG	2.13+/-0.05 [1.084+/-0.002]	11.7

- ¹ RECOMMENDED SPARE PARTS
- ² GREASE BEARING SURFACES LIGHTLY
- 3. LUBRICATE DAILY PER THE APPLICATOR INSTRUCTION SHEET SUPPLIED WITH THE APPLICATOR.
- ⁴ APPLICATOR SPECIFIC DATA TO BE ENTERED INTO BLANK MEMORY CHIP AT ASSEMBLY. SEE BELOW FOR PART NUMBER:
PNEUMATIC FEED WITH "SMART APPLICATOR" CONVERSION: 8-2266315-4
SERVO FEED WITH "FINE CRIMP HEIGHT ADJUST": 8-2266315-5
- 5. ADJUSTMENT OF THE STRIPPER MAY BE REQUIRED WHEN MOVING THE APPLICATOR BETWEEN BENCH AND LEADMAKER APPLICATIONS.
- ⁶ APPLY PART NUMBER 1-23419-5 LOCTITE TO THREADS OF ITEM 62. APPLY PART NUMBER 2-23419-6 LOCTITE TO THREADS OF ITEM 242.
- ⁷ GREASE THREADS, GROOVE AND O-RING ON ITEMS 139 & 152.
- ⁸ MAGNET MUST BE ORIENTED CORRECTLY IN ORDER TO PROPERLY ACTUATE THE COUNTER.
- ⁹ CRIMP HEIGHT REFERENCE SETTING WAS THE SETTING USED WHEN THE APPLICATOR WAS QUALIFIED AT THE FACTORY. ADJUSTMENT MAY BE NECESSARY WHEN RUNNING APPLICATOR IN THE FIELD.
- ¹⁰ TERMINAL PITCH NOT COMPATIBLE WITH MECHANICAL FEED.
- ¹¹ TO CONVERT THE APPLICATOR TO A NON-CARRIER CUTTING STYLE, REMOVE ITEM 13 AND ATTACH TO THE LOCATION ON BACK SIDE OF THE HOUSING. REFER TO INSTRUCTION SHEET FOR ADDITIONAL INFORMATION.
- ¹² FEED FOR TERMINAL 61867 & 61863 IS 23.11 [0.910 IN]. FEED FOR TERMINAL 61857 IS 17.98 [0.708 IN]. FEED ADJUSTMENTS MAY BE REQUIRED WHEN SWITCHING TERMINALS.

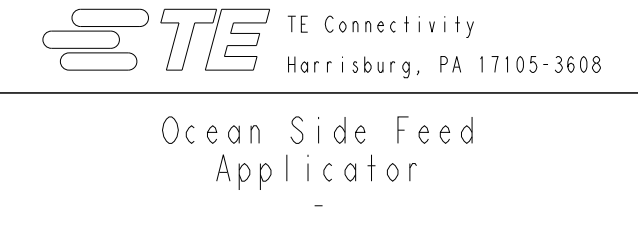
***WARNING**
ON INSTALLATION, SET WIRE DISC, ITEM 40 TO LARGEST WIRE SIZE SETTING. USE OF SETTINGS BELOW MINIMUM REQUIRED CRIMP HEIGHT SETTING WILL CAUSE DAMAGE TO CRIMP TOOLING.

PACIFIC VERSION
Shown on sheets 3 of 4 & 4 of 4
(Atlantic version shown on sheets 1 of 4 & 2 of 4)

SET UP GAUGE	LOC	DIST	REVISIONS					
2119599-1	A	66	P	LTN	DESCRIPTION	DATE	OWN	APVD
			-	-	SEE SHEET 1	-	-	-

-	1	1	1	1803078-4	SPACER, PRECISION			259
-	1	1	1	2119782-1	FINE ADJUST HEAD ASM, PACIFIC STYLE			251
-	-	-	1	2119640-1	PUSH ROD, AIR FEED			250
-	-	-	1	2079988-1	BUSHING, LCH5-12, MISUMI			249
-	1	1	1	1-22279-3	SPRING, COMPRESSION			246
-	1	1	1	2119082-2	CAM, SNAIL, INSULATION ADJUSTMENT			244
-	1	1	1	2079764-1	WASHER, WAVE SPRING, CREST-TO-CREST			243
-	1	1	1	2119083-1	RETAINER, INSULATION DIAL			242
-	1	1	1	7-18023-7	SCR, SKT HD CAP M3 X 4.0			241
-	-	2	-	2168400-6	SHCS, LOW HEAD, RoHS, M5 X 16			240
-	-	-	1	2063440-2	AIR FEED MODULE			238
-	-	1	-	2119740-2	TAG, IDENTIFICATION			213
-	-	1	-	1901094-3	SPACER, FEEDER			198
-	-	-	2	21045-3	RING, RETAIN, EXTERN, 3/16 CRESCENT			172
-	1	1	1	994969-1	MAGNET, RARE EARTH HIGH ENERGY			166
-	REF	REF	REF	994970-2	COUNTER, MAGNETIC			164
-	-	-	1	240638-1	SPRING, FEED FINGER			163
-	1	1	1	8-21084-1	O-RING, .801 ID, .070 DIA. MAT.			152
-	-	-	1	2119641-2	FEED CAM, AIR FEED			151
-	1	1	1	2119798-2	DETENT PIN			145
-	1	1	1	2079383-8	SCR, BHSC, RoHS (M4 X 16)			144
-	4	4	4	2168400-5	SHCS, LOW HEAD, RoHS, M4 X 20			143
-	1	1	1	1-2119656-0	APPLICATOR BASIC ASSEMBLY, SF			141
-	1	1	1	2161312-1	RAM, STEPPED, ASIAN STYLE, SIDE FEED			140
-	1	1	1	2119092-2	BOLT, ADJUSTMENT			139
-	-	-	1	3-23627-7	PIN, RETAIN, GRVD, 3/16 X .854			137
-	-	-	1	2119799-1	HOLDER, FEED FINGER, AF			136
-	-	REF	-	SEE NOTE 4	MEMORY CHIP, PROGRAMMED			135
-	-	1	-	1633743-1	SERVO FEED LATCH ASM			133
-	-	REF	-	2119944-1	FEED FINGER ASSEMBLY, SF			117
-	1	1	1	2119955-1	ASSY, LUBRICATOR, SIDE FEED			113
-	1	1	1	1-455888-0	SPACER, CRIMPER			82
-	1	1	1	2119956-1	DOCUMENTATION PACKAGE			71
-	1	-	1	2119740-1	TAG, IDENTIFICATION			67
-	2	2	2	2168078-1	SCREW, DRIVE, RH, RoHS, 2 x .188			66
-	1	1	1	2119793-1	LIMITER, ADJUSTMENT BOLT			63
-	3	3	3	992763-5	SCR, SET, SOC, CONE POINT, M3 X 4.0			62
-	-	-	1	5-18022-5	SCR, HEX HD CAP, M4 X 6.0			59
-	-	-	1	1338685-1	PAWL, FEED			56
-	2	2	2	1-2168083-0	SCR, SKT HD CAP, RoHS, M4 X 10			53
-	1	1	1	5018030-1	NUT, HEX, REG, RoHS, M3			52
-	1	1	1	811242-5	BUMPER, HOLD DOWN			51
-	1	1	1	690753-2	SPACER, TONKER			50
-	-	-	1	18023-9	SCR, SKT HD CAP M4 X 6.0			49
-	1	1	1	1-2079383-5	SCR, BHSC, RoHS (M8 X 40)			41
-	1	1	1	2119645-1	DISC, NUMBERED FA WIRE ADJUSTMENT			40
-	1	1	1	2119957-1	APPLICATOR SHIM PACK			39
-	1	1	1	2119644-3	RAM WASHER, PRECISION			38
-	1	1	1	1752356-1	SUPPORT, TERMINAL			34
-	2	2	2	2079383-5	SCR, BHSC, RoHS (M4 X 20)			33
-	1	1	1	2161328-1	HEX HEAD, FLANGED, M5 x 8mm LONG			32
-	1	1	1	1-1320908-2	SPACER, STRIP GUIDE			30
-	1	1	1	2119959-1	ASSEMBLY, STRIP GUIDE			29
-	1	1	1	455888-3	SPACER, CRIMPER			28
-	1	1	1	1320928-6	STRIP GUIDE			24
-	1	1	1	2168083-2	SCR, SKT HD CAP, RoHS, M4 X 8.0			21
-	2	2	2	1-18028-2	WASHER, FLAT, REG M4			20
-	1	1	1	2119533-1	STRIPPER, SIDE FEED			19
-	1	1	1	2119806-1	INSERT, SHEAR			13
-	1	1	1	3-22280-3	SPRING, COMPRESSION			12
-	1	1	1	1-356885-4	STOP, SHEAR			11
-	1	1	1	2119805-1	SHEAR HOLDER, FRONT			10
-	1	1	1	318707-1	FLOATING SHEAR, FRONT			9
-	1	1	1	1633137-7	ANVIL, COMBINATION .140			8
-	-	-	-	-	-			7
-	-	-	-	-	-			6
-	1	1	1	1-2119757-2	DEPRESSOR, SHEAR			5
-	1	1	1	4-238011-5	BLOCK, CRIMPER SPACER			4
-	1	1	1	4-1803016-1	CRIMPER, INSULATION F			3
-	1	1	1	1-455888-0	SPACER, CRIMPER			2
-	1	1	1	2-456411-2	CRIMPER, WIRE PREMIUM			1

DIMENSIONS:		TOLERANCES UNLESS OTHERWISE SPECIFIED:		DWG		NAME	
mm	0 PLC ±.5	1 PLC ±0.5	2 PLC ±0.13	3 PLC ±0.013	4 PLC ±0.001	ANGLES ±.0001	FINISH
MATERIAL				APVD		PRODUCT SPEC	
MATERIAL				APVD		APPLICATION SPEC	
MATERIAL				WEIGHT		RESTRICTED TO	
MATERIAL				SCALE		SHEET 3 OF 4	



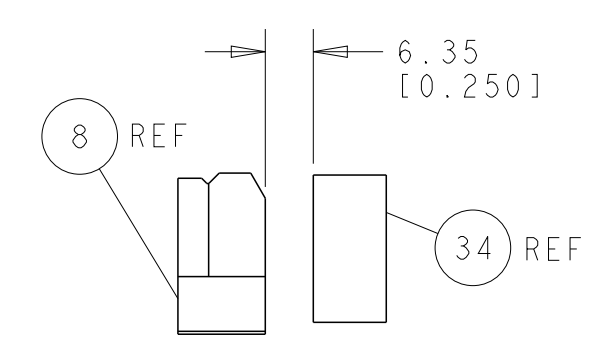
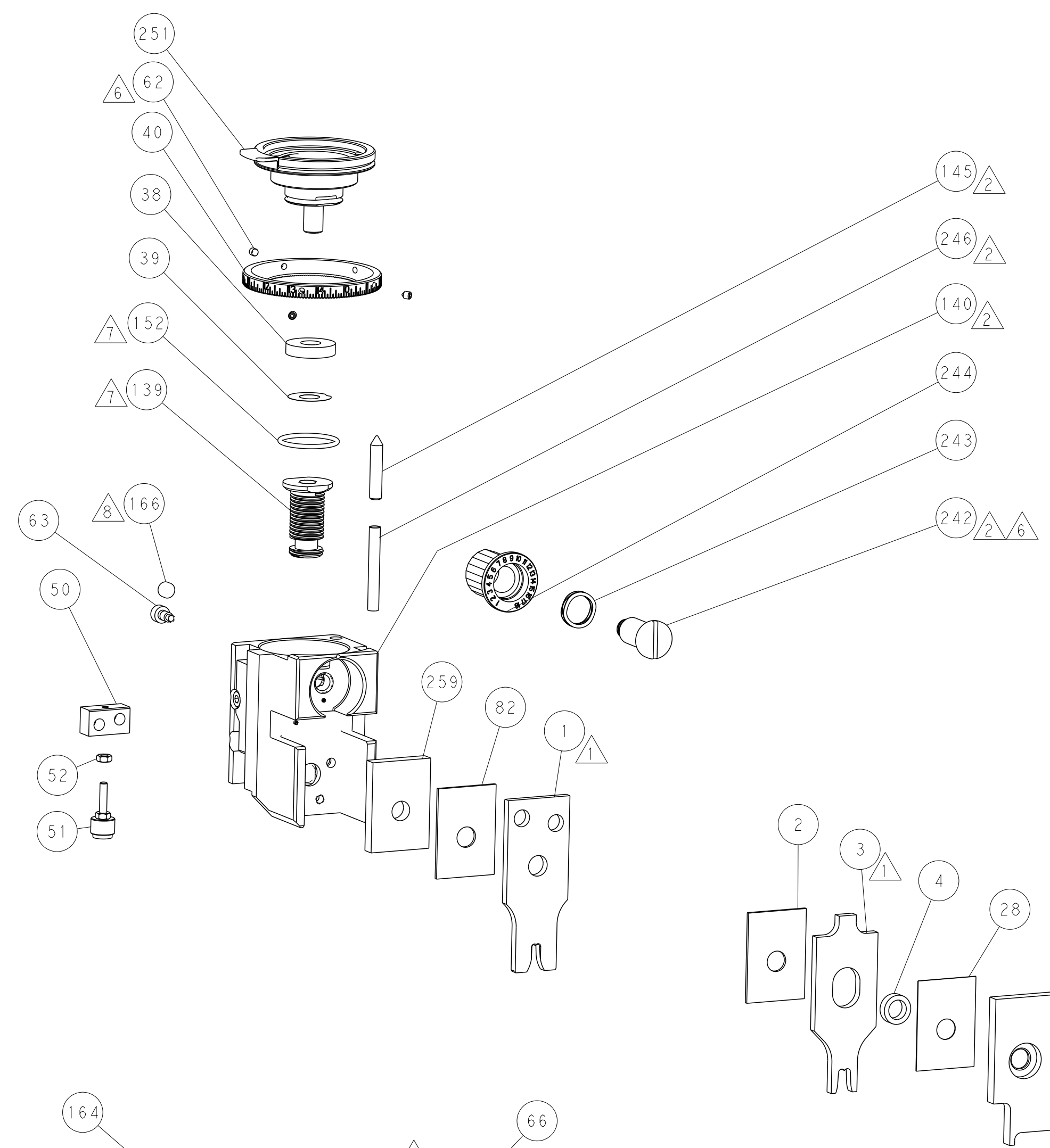
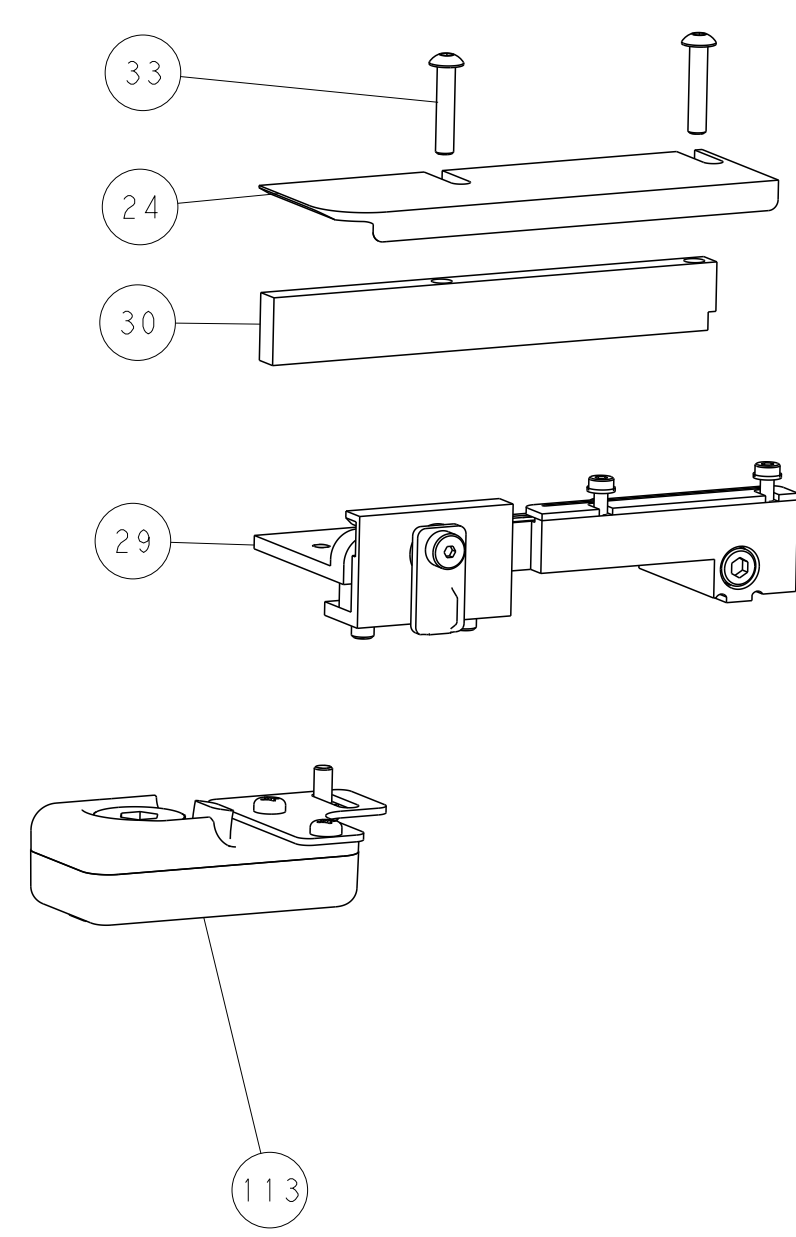
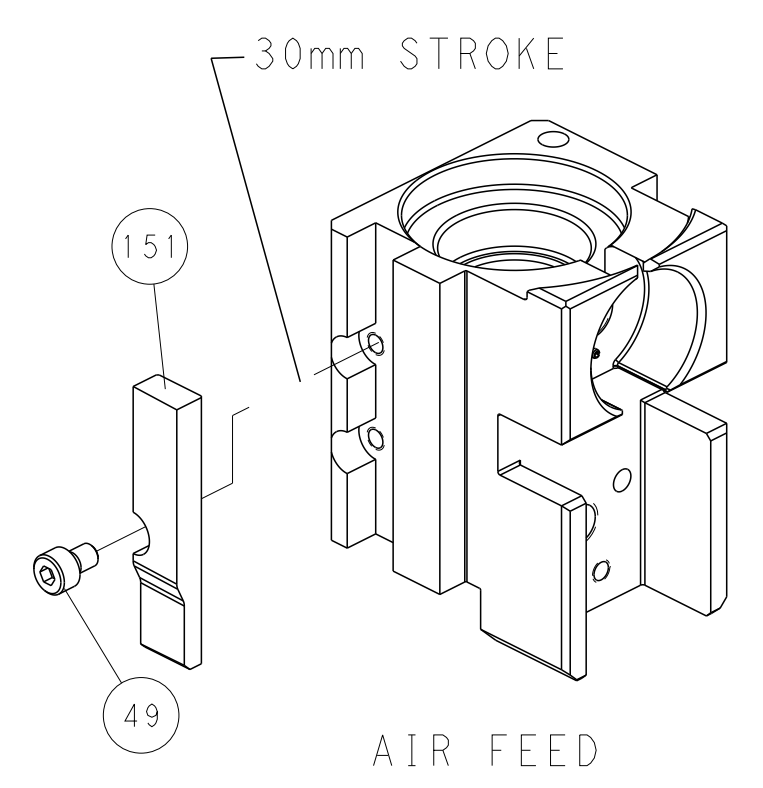
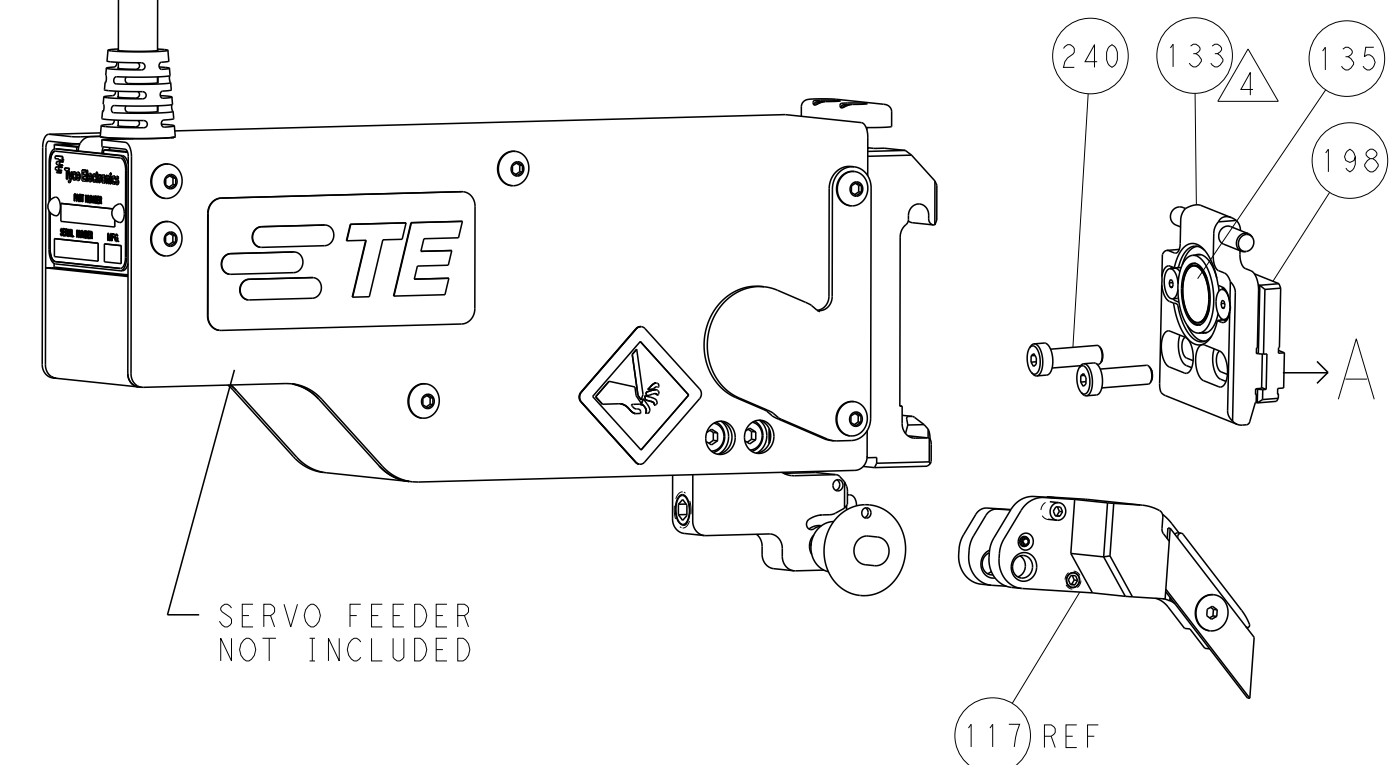
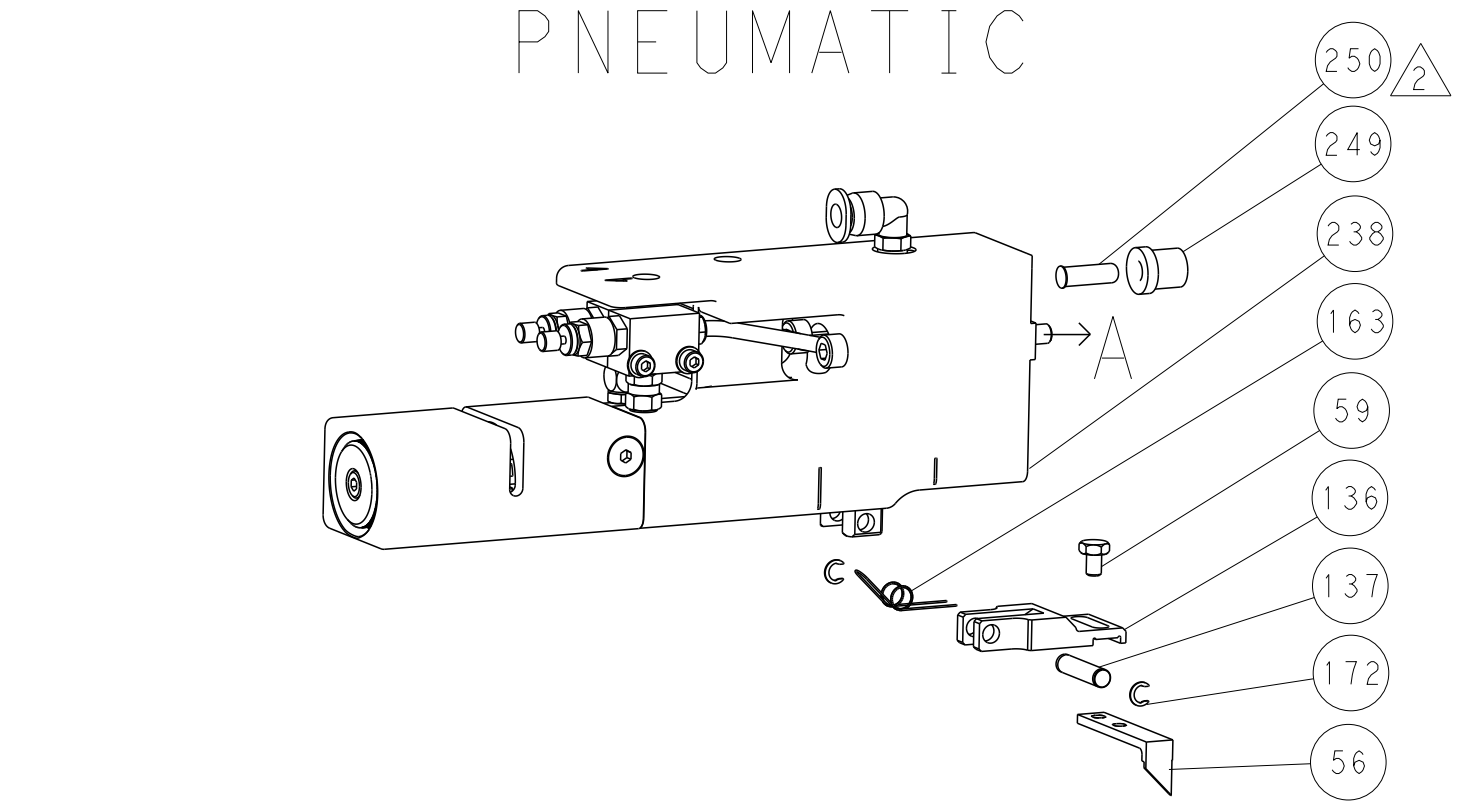
LOC	DIST	REV	DATE	BY	APPV
A	66				

FEED TYPE

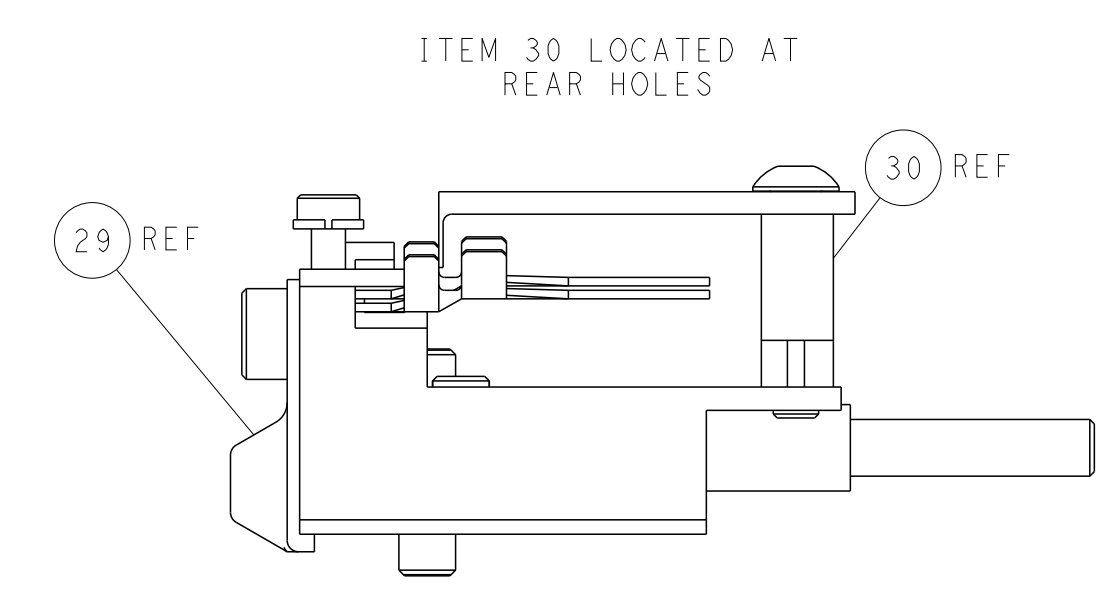
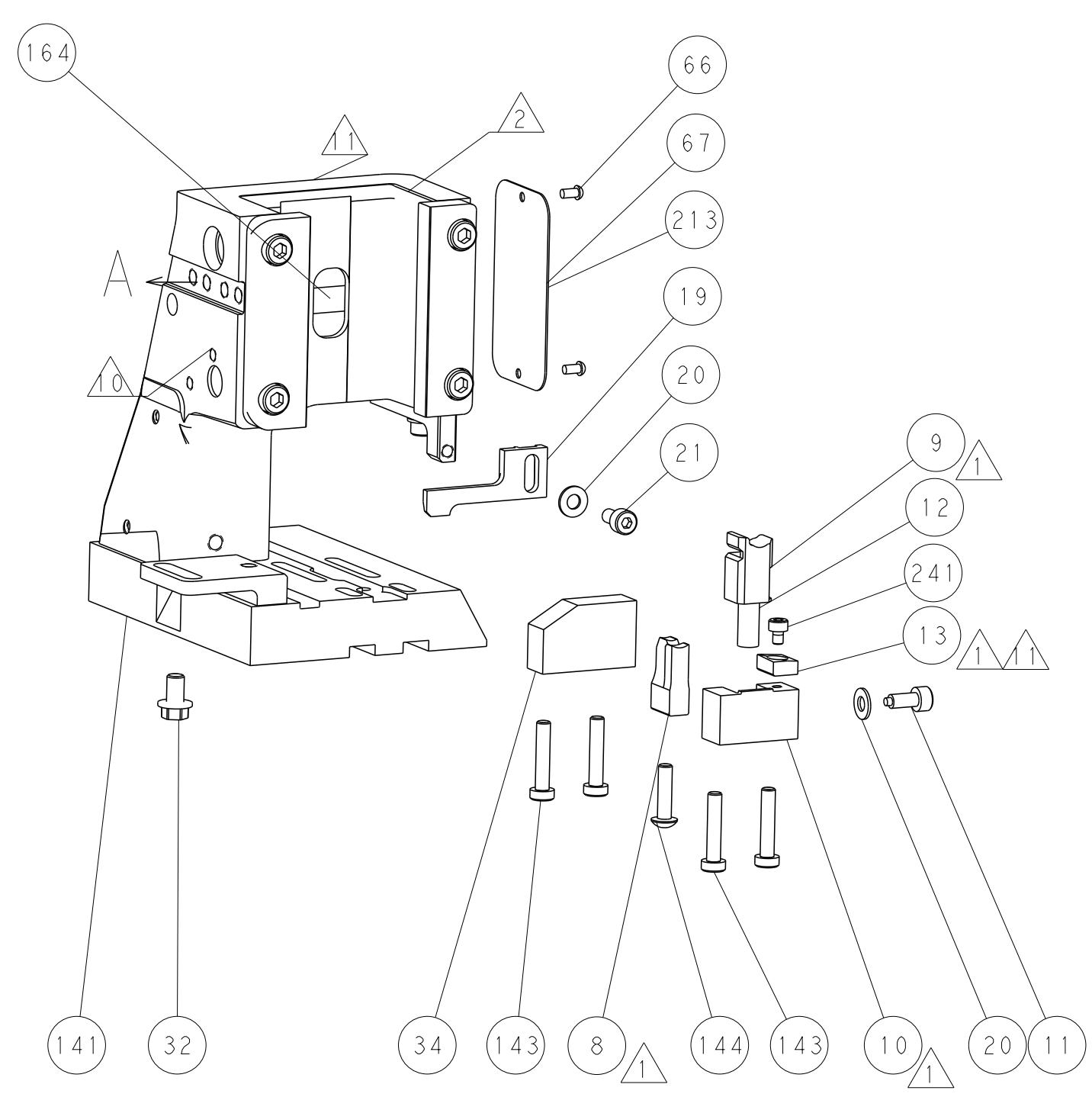
PNEUMATIC

SERVO LATCH PLATE

CAM POSITION



TERMINAL SUPPORT LOCATION



FEED TRACK POSITION GUIDE BY INSULATION BARREL

PACIFIC VERSION
 Shown on sheets 3 of 4 & 4 of 4
 (Atlantic version shown on sheets 1 of 4 & 2 of 4)

<small>THIS DRAWING IS UNPUBLISHED. RELEASED FOR PUBLICATION. IT IS THE PROPERTY OF TYCO ELECTRONICS CORPORATION. IT IS TO BE USED ONLY FOR THE PURPOSES AND IN THE QUANTITIES SPECIFIED IN THE ORDER. IT IS TO BE RETURNED TO TYCO ELECTRONICS CORPORATION UPON THE COMPLETION OF THE PROJECT.</small>		DWN: H. HUANG 03JUN2014 CHK: L. ZHANG 03JUN2014 APVD: J. GUO 03JUN2014	NAME: TE Connectivity Harrisburg, PA 17105-3608
DIMENSIONS: mm TOLERANCES UNLESS OTHERWISE SPECIFIED: 0 PLC ±0.5 1 PLC ±0.13 2 PLC ±0.013 3 PLC ±0.001 4 PLC ±0.001 ANGLES FINISH	PRODUCT SPEC: - APPLICATION SPEC: - WEIGHT: - SCALE: 1:2	SIZE: A1 CAGE CODE: 00779 DRAWING NO: C=2266315 SHEET: 4 OF 4 REV: A	RESTRICTED TO: - Customer Accessible Production Drawing