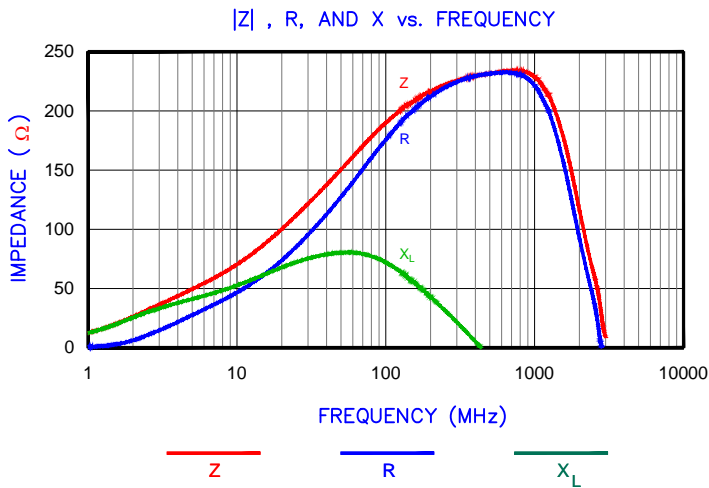
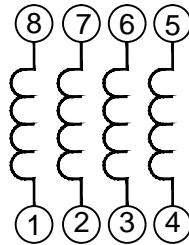
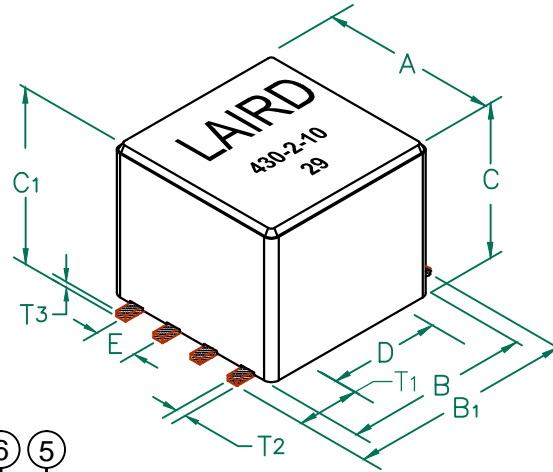


29F0430-2SR-10

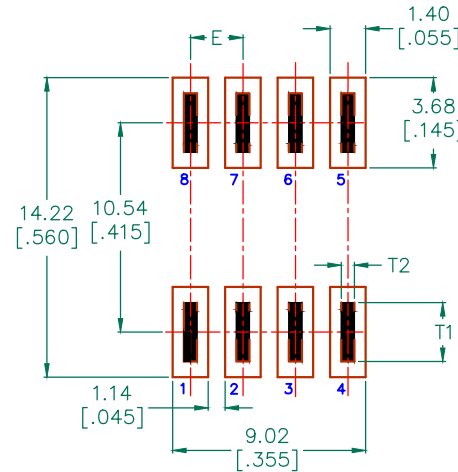
UNCONTROLLED DOCUMENT

PHYSICAL DIMENSIONS:

A	10.87 [.428]	\pm 0.15 [.006]
B	10.87 [.428]	\pm 0.15 [.006]
B ₁	13.46 [.530]	MAX
C	6.35 [.250]	\pm 0.10 [.004]
C ₁	7.11 [.280]	\pm MAX
D	7.62 [.300]	\pm 0.13 [.005]
E	2.54 [.100]	\pm 0.13 [.005]
T ₁	2.64 [.104]	\pm 0.25 [.010]
T ₂	0.64 [.025]	\pm TYP.
T ₃	0.38 [.015]	\pm TYP.



LAND PATTERNS FOR REFLOW SOLDERING



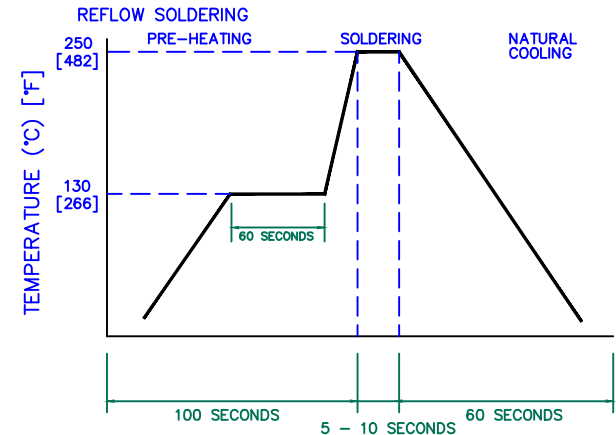
ELECTRICAL CHARACTERISTICS:

	Z @ 100MHz (Ω)	DCR (Ω)	Rated Current
Nominal	200		
Minimum	150		
Maximum	250	0.01	8,000 mA

NOTES: UNLESS OTHERWISE SPECIFIED

1. TAPED AND REELED per CURRENT EIA SPECS. 13" REELS, 450 PCS/REEL.
2. COMPONENTS SHOULD BE ADEQUATELY PREHEATED BEFORE SOLDERING.
3. REF. CARRIER TAPE SPECIFICATION # CART430-23.
4. TERMINATION FINISH IS 100% TIN.
5. THIS PART HAS NO PIN POLARITY.
6. OPERATION TEMPERATURE (INCLUDING SELF-HEATING) -40 ~ +125°C.

RECOMMENDED SOLDERING CONDITIONS



DIMENSIONS ARE IN MM [INCHES]		This print is the property of Laird Tech. and is loaned in confidence subject to return upon request and with the understanding that no copies shall be made without the written consent of Laird Tech. All rights to design or invention are reserved.		Laird	
F	ADD NOTE 6	08/30/12	QU		
E	UPDATE COMPANY LOGO AND ROHS SYM ADD EQUIV. CIRCUIT CHG KAPTON LABEL	10/27/08	JRK	PROJECT/PART NUMBER: 29F0430-2SR-10	
D	UPDATE COMPANY LOGO	05/02/07	JRK	REV	F
C	UPDATE CURVE & TEST REF DATA	04/06/06	JRK	DRAWN BY: JRK	
B	UPDATE FORMAT ADD ROHS SYMBOL	08/27/04	JRK	DATE:	05/14/04
A	ORIGINAL DRAFT	05/14/04	JRK	SCALE:	NTS
REV	DESCRIPTION	DATE	INT	GAD #	29F0430-2SR-10-F-1
				TOOL #	H0431
				SHEET:	1 of 2

