

***Eight-Channel LDO with DC/DC Converter*****General Description**

The AAT2608A is a member of Skyworks' Total Power Management IC (TPMIC™) product family. It contains a fully integrated step-down converter and eight low drop-out (LDO) regulators, making it ideal for general multiple rails applications.

The step-down converter is a 800mA synchronous converter which operates at a switching frequency of 1.5MHz, minimizing the size of external components while keeping efficiency greater than 90%. The step-down converter is capable of 1A of peak current and has an integrated compensation network. The input voltage range is 2.7V to 5.5V, and the output can be externally adjusted from 0.6V to 80% of the step-down converter's input voltage. It includes an independent enable to provide a convenient solution to implement any power up or power down sequencing.

The AAT2608A has eight high-PSRR LDOs which provides noise immunity to the generated power rails. The LDOs have independent enable pins to meet any power-up or power-down sequencing requirements. Each LDO requires a small output ceramic capacitor for stability. 5 of the LDOs have a fixed output which is programmed during manufacturing; 3 LDOs have adjustable outputs programmable with external resistors. LDOs 1, 2, 3 and 4 share the same input voltage as the step-down converter's control circuitry. LDO5 shares its input with LDO6; LDO7 shares its input with LDO8.

The AAT2608A is available in the small 28-pin 4mm x 4mm TQFN package.

**Features**

- 1.5MHz Step-Down Converter
  - 800mA, Externally Adjustable
  - Synchronous with Integrated Switches
  - Independent Enable
  - Independent Input Power and Ground
  - Operating Input Voltage Range of 2.7V to 5.5V
- LDO1, LDO2, LDO3 and LDO4 Regulators Share Same Input as the Step-down Converter
- LDO5 and LDO6 are Tied to the Same Input
- LDO7 and LDO8 are Tied to the Same Input
- LDO1, LDO7 and LDO8 have Adjustable Outputs with External Resistors
- LDO2, LDO3, LDO4, LDO5 and LDO6 have Factory Programmed Outputs
- All LDOs have:
  - Independent Enable
  - 300mA Current Capability
  - High PSRR (68dB @10KHz)
  - Low Ground Current (30μA)
  - Over-Current Protection
  - Over-Temperature Protection
  - Operating Input Voltage Range from 2.7V to 5.5V
- TQFN44-28 Package

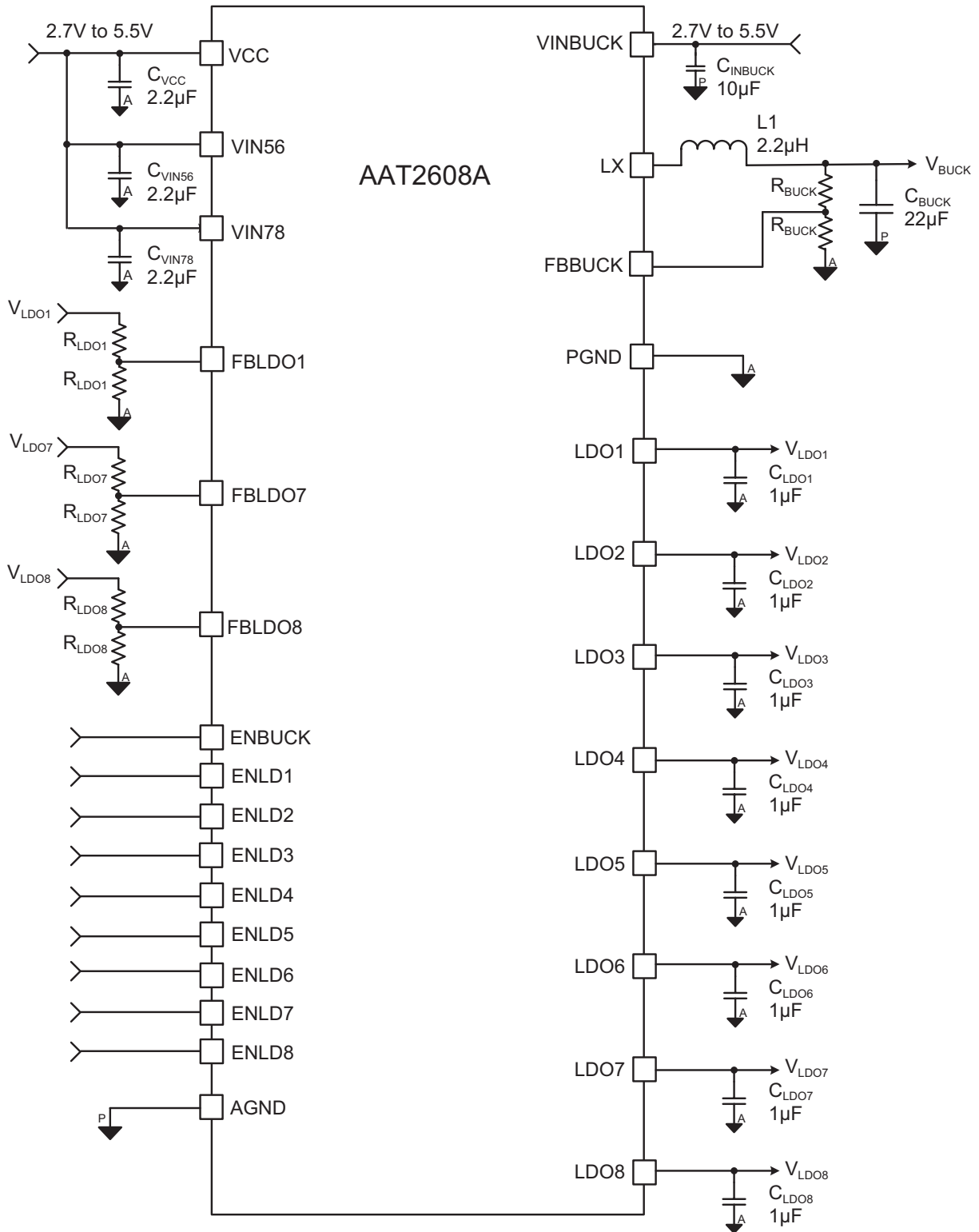
**Applications**

- Cellular Application
- Handheld Products
- Media Players (MP4 Players)
- Portable Navigation Devices (PND)

# AAT2608A

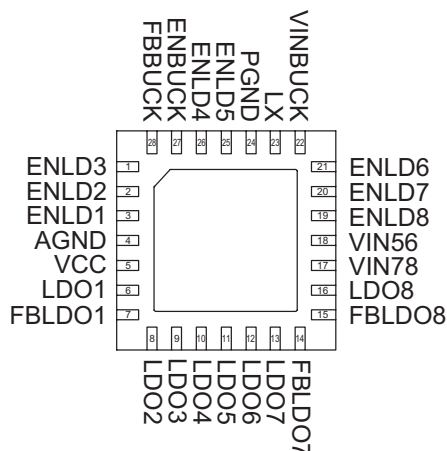
## Eight-Channel LDO with DC/DC Converter

### Typical Application



**AAT2608A****Eight-Channel LDO with DC/DC Converter****Pin Descriptions**

Pin #	Symbol	Function
1	ENLD3	LDO3 enable; active high.
2	ENLD2	LDO2 enable; active high.
3	ENLD1	LDO1 enable; active high.
4	AGND	Analog ground.
5	VCC	Input to power control circuit for step-down converter, LDO1, LDO2, LDO3 and LDO4.
6	LDO1	LDO1 output voltage.
7	FBLDO1	Feedback pin for LDO1
8	LDO2	LDO2 output voltage.
9	LDO3	LDO3 output voltage.
10	LDO4	LDO4 output voltage.
11	LDO5	LDO5 output voltage.
12	LDO6	LDO6 output voltage.
13	LDO7	LDO7 output voltage.
14	FBLDO7	Feedback pin of LDO7.
15	FBLDO8	Feedback pin of LDO8.
16	LDO8	LDO8 output voltage.
17	VIN78	Input to LDO7 and LDO8.
18	VIN56	Input to LDO5 and LDO6.
19	ENLD8	LDO8 enable; active high.
20	ENLD7	LDO7 enable; active high.
21	ENLD6	LDO6 enable; active high.
22	VINBUCK	Power input to the step-down converter input.
23	LX	Switching node for step-down converter regulator.
24	PGND	Power ground for step-down converter regulator.
25	ENLD5	LDO5 enable; active high.
26	ENLD4	LDO4 enable; active high.
27	ENBUCK	Enable for step-down converter; active high.
28	FBBUCK	Feedback input for step-down converter regulator.

**Pin Configuration****TQFN44-28  
(Top View)**

**AAT2608A*****Eight-Channel LDO with DC/DC Converter*****Absolute Maximum Ratings<sup>1</sup>**

Symbol	Description	Value	Units
	VIN, VCC, VIN5/6, VIN7/8, ENBK1, ENLD1, ENLD2, ENLD3, ENLD4, ENLD5, ENLD6, ENLD7, ENLD8, FBLD1, FBLD7 and FBLD8, FB to GND	-0.3 to 6.5	V
	LX to PGND	-0.3 to $V_{VIN} + 0.3$	V
	VOUT1, VOUT2, VOUT3, VOUT4 to GND	-0.3 to $V_{VCC} + 0.3$	V
	VOUT5, VOUT6 to GND	-0.3 to $V_{VIN5/6} + 0.3$	V
	VOUT7, VOUT8 to GND	-0.3 to $V_{VIN7/8} + 0.3$	V
	PGND to GND	-0.3 to +0.3	V

**Thermal Information<sup>2</sup>**

Symbol	Description	Value	Units
$\theta_{JA}$	Thermal Resistance	50	°C/W
$P_D$	Maximum Power Dissipation	2	W
$T_J$	Operating Temperature Range	-40 to 150	°C
$T_S$	Storage Temperature Range	-65 to 150	
$T_{LEAD}$	Maximum Soldering Temperature (at leads, 10 sec)	300	

1. Stresses above those listed in Absolute Maximum Ratings may cause permanent damage to the device. Functional operation at conditions other than the operating conditions specified is not implied. Only one Absolute Maximum Rating should be applied at any one time.
2. Mounted on an FR4 board.

## AAT2608A

## Eight-Channel LDO with DC/DC Converter

Electrical Characteristics<sup>1</sup>

$V_{CC} = V_{IN} = V_{IN56} = V_{IN78} = V_{INLDO} = 5.0V$ ,  $-40^{\circ}C \leq T_A \leq +85^{\circ}C$ , unless otherwise noted. Typical values are  $T_A = 25^{\circ}C$ .

Symbol	Description	Conditions	Min	Typ	Max	Units
<b>Logic Control / Protection</b>						
$V_{ENLDX}$	Input High Threshold		1.4			V
$V_{ENBUCK}$	Input Low Threshold				0.3	V
<b>Step-Down Regulator</b>						
$V_{INBUCK}, V_{CC}$	Input Voltage Range		2.7		5.5	V
$I_Q$	Quiescent Current	$I_{OUT} = 0mA$ , device switching, all LDOs disabled		70		$\mu A$
$I_{SD}$	Shutdown Current	ENBK1 = GND		1		$\mu A$
$V_{O\_STEP-DOWN}$	Output Voltage Programmable Range	Using external feedback resistors	0.6		80% of $V_{IN}$	V
$V_{REG}$	Output Voltage Accuracy	$0^{\circ}C \leq T_A \leq 85^{\circ}C$	-3		+3	%
$I_{LIM}$	P-Channel Current Limit		1000			mA
$T_{STARTUP}$	Startup Time	From device enable to 90% of nominal output voltage		100		$\mu s$
$T_{RAMP}$	Ramp-Up Time	Time to ramp output voltage from 10% to 90%		60		$\mu s$
$R_{DS(ON)H}$	High-Side Switch On-Resistance			260		m $\Omega$
$R_{DS(ON)L}$	Low-Side Switch On-Resistance			220		m $\Omega$
$\frac{\Delta V_{OUT}}{(V_{OUT} \Delta V_{IN})}$	Line Regulation			0.2		%/V
$F_{OSC}$	Oscillator Frequency			1.5		MHz
UVLO	Under-Voltage Lockout Threshold	Falling		2		V
		Rising		2.2		
<b>Low-Dropout Regulators (LDO1-LD08)</b>						
$V_{INLDO}$	Input Voltage Range		2.7		5.5	V
$V_{OUTX}$	LDO Output Voltage	$I_{LDO} = 1mA$ to 300mA, OTP per requirement	0.6		$V_{INLDO} - V_{DO}$	V
	LDO Accuracy	$I_{LDO} = 10mA$	-3		+3	%
$I_Q$	LDO Quiescent Current	$V_{INLDO} = 5V$ , added quiescent current when LDO is enabled		30	55	$\mu A$
	Line Regulation	$I_{LDO} = 10mA$		0.1		%/V
	Load Regulation	$I_{LDO} = 1mA$ to 300mA		0.003		%/mA
	PSRR	$V_{INX} = 5V$ , $V_{OX} = 1.8V$ , EN = HIGH, F = 10KHz, $I_{LDO} = 100mA$		68		dB
$V_{DO}$	Dropout Voltage	$I_{LDO} = 250mA$		250	500	mV
$I_{LDO(LIM)}$	LDO Current Limit		300			mA
<b>Thermal</b>						
$T_{SD}$	Over-Temperature Shutdown Threshold	Rising		145		$^{\circ}C$
$T_{HYS}$	Over-Temperature Shutdown Hysteresis			25		$^{\circ}C$

1. Specification over the  $-40^{\circ}C$  to  $+85^{\circ}C$  operating temperature range is assured by design, characterization and correlation with statistical process controls.

**AAT2608A*****Eight-Channel LDO with DC/DC Converter*****Programming Output Voltages via OTP**

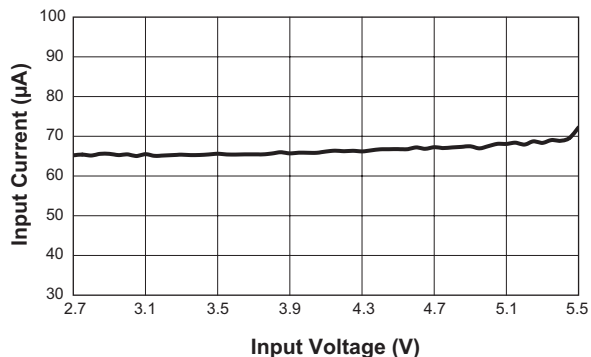
Programmable Output Voltage Range			Resolution
Step-down1	0.6V	80% of $V_{IN}$	Externally Adjustable with 0.6V Internal Reference
LDO1	0.6V		Externally Adjustable with 0.6V Internal Reference
LDO2	0.6V	3.7V	100mV per OTP bit
LDO3	0.6V	3.7V	100mV per OTP bit
LDO4	0.6V	3.7V	100mV per OTP bit
LDO5	0.6V	3.7V	100mV per OTP bit
LDO6	0.6V	3.7V	100mV per OTP bit
LDO7	0.6V		Externally Adjustable with 0.6V Internal Reference
LDO8	0.6V		Externally Adjustable with 0.6V Internal Reference

# AAT2608A

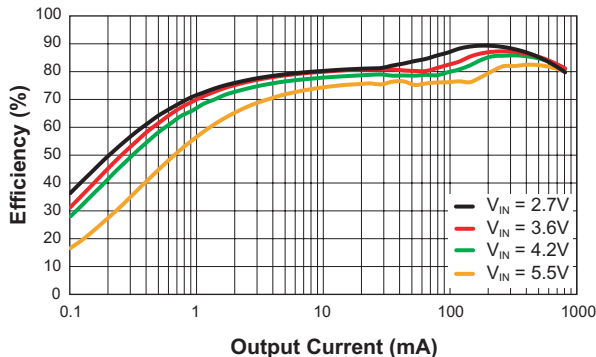
## Eight-Channel LDO with DC/DC Converter

### Typical Characteristics—Step-Down (Buck) Converter

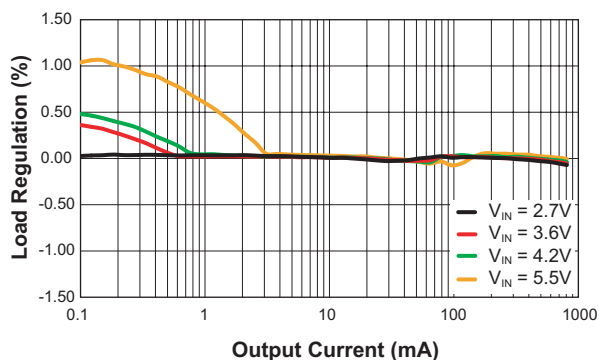
**Input Current vs. Input Voltage**  
(Buck  $V_{OUT} = 1.2V$ ; Switching; All LDOs Disabled)



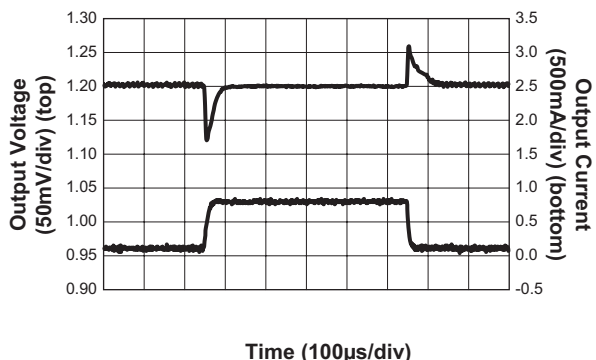
**Efficiency vs. Output Current**  
(Buck  $V_{OUT} = 1.8V$ )



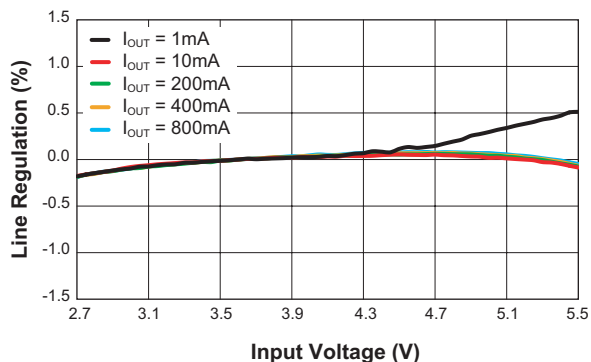
**Load Regulation**  
(Buck  $V_{OUT} = 1.2V$ ;  $C_{OUT} = 22\mu F$ )



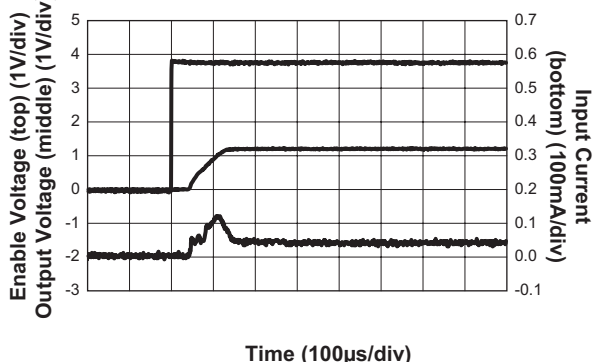
**Load Transient**  
(Buck  $V_{OUT} = 1.2V$ ;  $V_{IN} = 3.6V$ ;  $I_{OUT} = 80mA$  to  $800mA$ )



**Line Regulation**  
(Buck  $V_{OUT} = 1.2V$ )



**Soft Start**  
(Buck  $V_{OUT} = 1.2V$ ;  $V_{IN} = 3.6V$ ;  $I_{OUT} = 100mA$ )

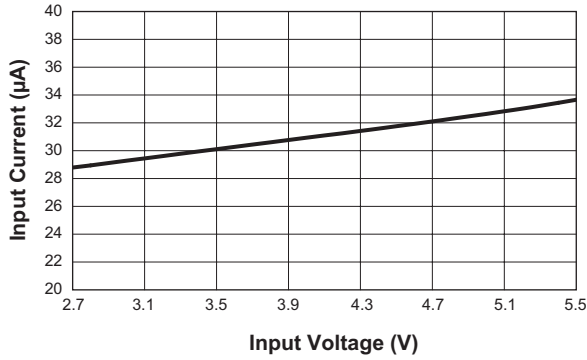


# AAT2608A

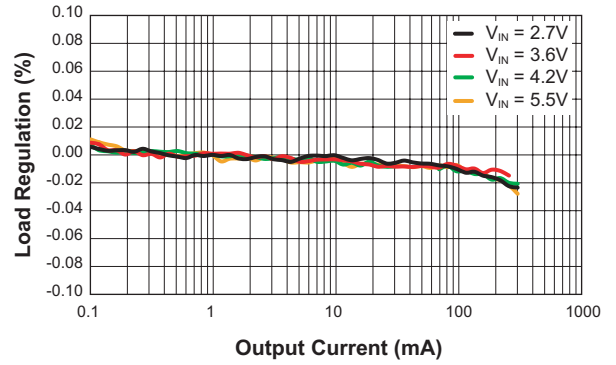
## Eight-Channel LDO with DC/DC Converter

### Typical Characteristics—LDO1-LDO8

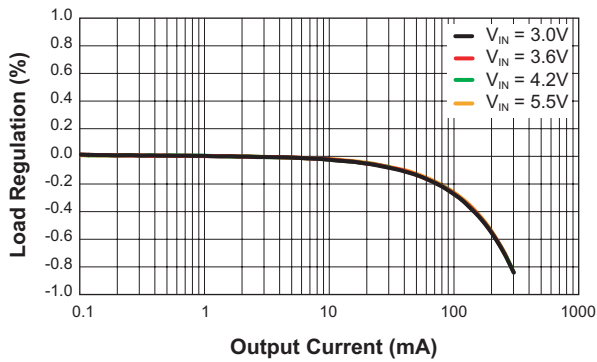
**Input Current vs. Input Voltage**  
(Contributed By Each LDO)



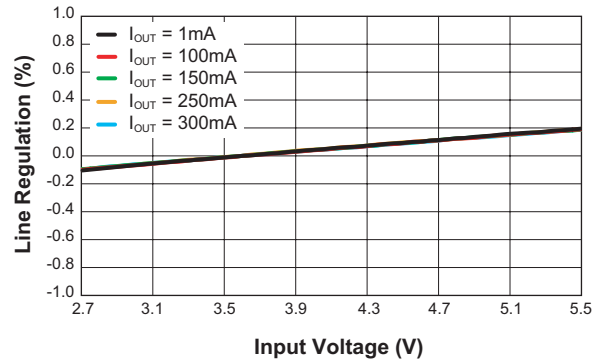
**Load Regulation**  
(LDO1  $V_{OUT} = 1.85V$ )



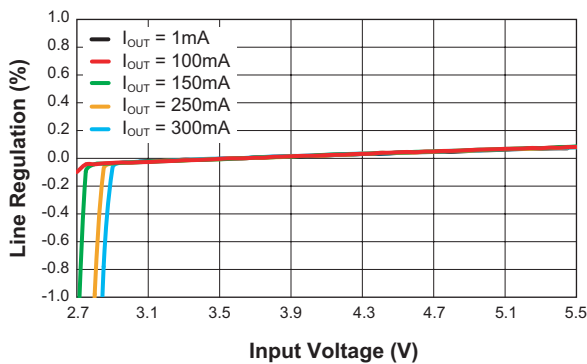
**Load Regulation**  
(LDO2  $V_{OUT} = 2.6V$ )



**Line Regulation**  
(LDO1  $V_{OUT} = 1.85V$ )



**Line Regulation**  
(LDO2  $V_{OUT} = 2.6V$ )



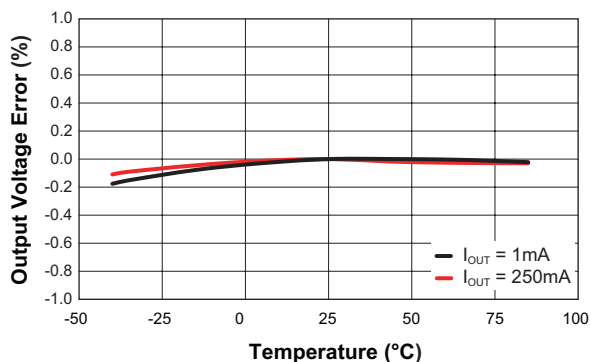


# AAT2608A

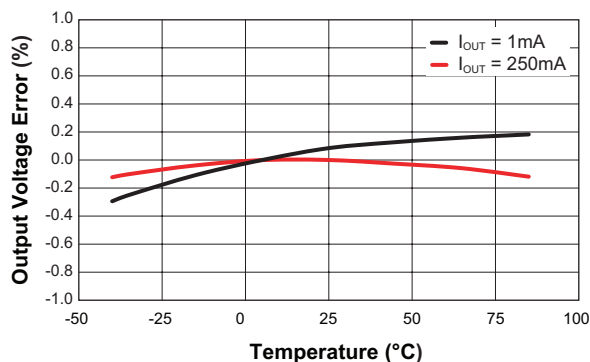
## Eight-Channel LDO with DC/DC Converter

### Typical Characteristics—LDO1-LDO8 (continued)

**Output Voltage Error vs. Temperature**  
(LDO1  $V_{OUT} = 1.85V$ ;  $V_{IN} = 3.6V$ )

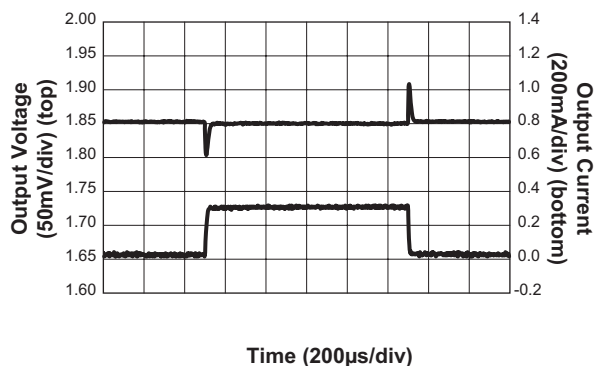


**Output Voltage Error vs. Temperature**  
(LDO2  $V_{OUT} = 2.6V$ ;  $V_{IN} = 3.6V$ )



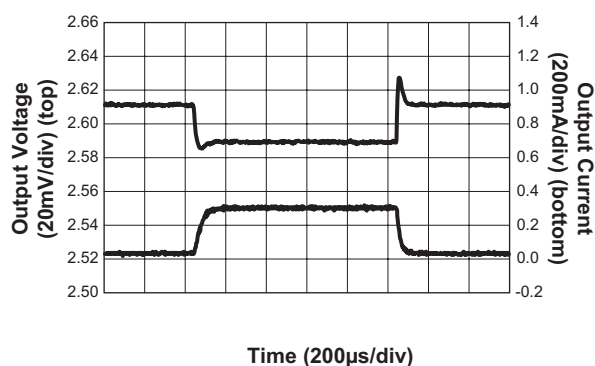
**Load Transient**

(LDO1  $V_{OUT} = 1.85V$ ;  $V_{IN} = 3.6V$ ;  $I_{OUT} = 30mA$  to  $300mA$ )



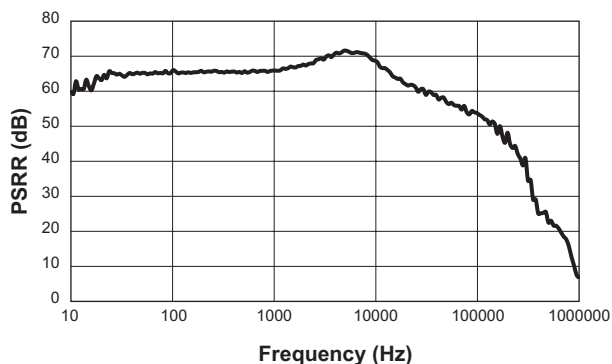
**Load Transient**

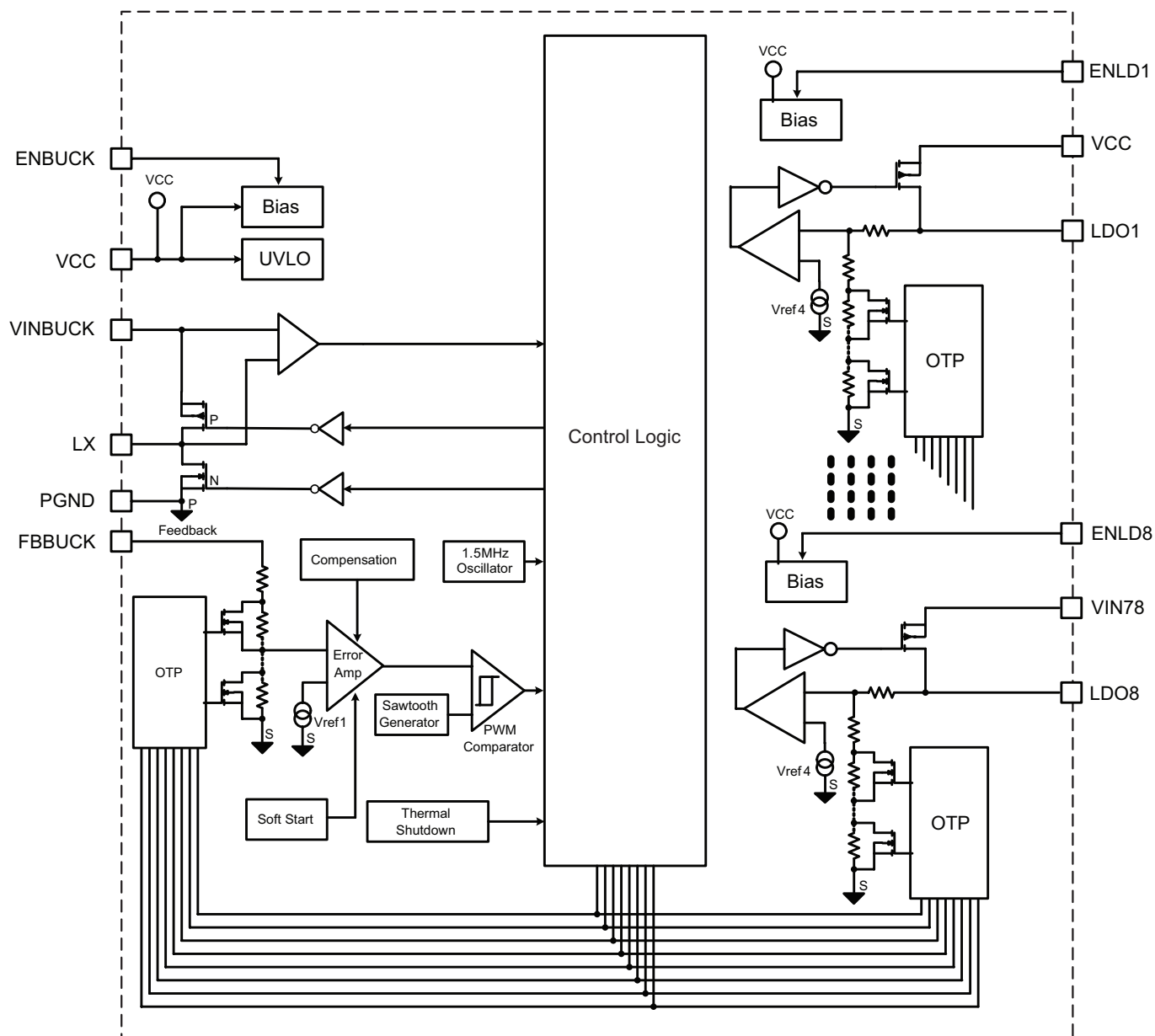
(LDO2  $V_{OUT} = 2.6V$ ;  $V_{IN} = 3.6V$ ;  $I_{OUT} = 30mA$  to  $300mA$ )



**Power Supply Rejection Ratio (PSRR)**

( $V_{IN(DC)} = 5V$ ;  $V_{OUT} = 1.85V$ ;  $I_{OUT} = 100mA$ )



**AAT2608A****Eight-Channel LDO with DC/DC Converter****Functional Block Diagram****Functional Description**

The AAT2608A is a highly integrated voltage regulating power management unit for mobile handsets or other portable devices. It includes a 800mA switch-mode step-down converter and eight low-noise, high-PSRR low-dropout (LDO) regulators. It operates from an input voltage between 2.7V and 5.5V making it ideal for lithium-ion or 5V regulated power sources. All nine converters have separate enable pins for ease of use.

**Synchronous Step-Down (Buck) Converter**

The AAT2608A switch-mode step-down converter is a constant frequency peak current mode PWM converter with internal compensation. The input voltage range is 2.7V to 5.5V. The output voltage range is 0.6V to 80% of  $V_{IN}$ . The high 1.5MHz switching frequency allows the use of small external inductor and capacitor.

# AAT2608A

## Eight-Channel LDO with DC/DC Converter

The step-down converter offers soft-start to limit the current surge seen at the input and eliminate output voltage overshoot. The current across the internal P-channel power switch is sensed and turns off when the current exceeds the current limit. Also, thermal protection completely disables switching if internal dissipation becomes excessive, thus protecting the device from damage. The junction over-temperature threshold is 145°C with 25°C of hysteresis.

The Buck converter is designed for a peak continuous output current of 800mA. It was designed to maintain over 80% efficiency at its maximum rated output current load of 800mA with a 1.2V output. Peak efficiency is above 90%. It also has excellent transient response, load and line regulation. Transient response time is typically less than 60ns.

### LDO Regulators

The AAT2608A includes eight LDO regulators. The regulators operate from the 2.7V to 5.5V input voltage to a regulated output voltage. Each LDO regulator has its own independent enable pin. LDO regulators 1, 7 and 8 have adjustable output voltages set by resistors. LDO regulators 2 thru 6 have a fixed output programmed during manufacturing. Each LDO consumes 30µA of quiescent current and is stable with a small 1.0µF ceramic output capacitor. These LDOs offer high power supply rejection, over-current protection and over-temperature protection.

### Feedback Resistor Selection

The output voltage of the buck converter and LDOs 1, 7 and 8 is each set with an individual resistor divider feedback network. The voltage output of the buck converter can be set between 0.6V and 80% of  $V_{IN}$ . The voltage output of the LDOs can be set between 0.6V and  $V_{IN} - V_{DO}$ .

$V_{OUT}$  is defined by the following equation:

$$V_{OUT} = 0.6V \cdot \left(1 + \frac{R1}{R2}\right)$$

To minimize the current consumed by the voltage divider and to isolate the FB pin from noise, the resistor values for R1 and R2 should be between 5kΩ and 500kΩ.

### Application Information

#### Synchronous Step-Down (Buck) Converter

The step-down converter uses peak current mode control with slope compensation to maintain stability for duty cycles greater than 50%. The output inductor value must be selected so the inductor current down slope meets the internal slope compensation requirements. Table 1 displays suggested inductor values for various output voltages.

Manufacturer's specifications list both the inductor DC current rating, which is a thermal limitation, and the peak current rating, which is determined by the saturation characteristics. The inductor should not show any appreciable saturation under normal load conditions. Some inductors may meet the peak and average current ratings yet result in excessive losses due to a high DCR. Always consider the losses associated with the DCR and its effect on the total converter efficiency when selecting an inductor.

#### Input Capacitor

Select a 4.7µF to 10µF X7R or X5R ceramic capacitor for the input; see Table 3 for suggested capacitor components. To estimate the required input capacitor size, determine the acceptable input ripple level ( $V_{PP}$ ) and solve for  $C_{IN}$ . The calculated value varies with input voltage and is a maximum when  $V_{CC}$  is double the output voltage.

$$C_{IN} = \frac{\frac{V_O}{V_{IN}} \cdot \left(1 - \frac{V_O}{V_{IN}}\right)}{\left(\frac{V_{PP}}{I_O} - ESR\right) \cdot F_S}$$

$$\frac{V_O}{V_{IN}} \cdot \left(1 - \frac{V_O}{V_{IN}}\right) = \frac{1}{4} \text{ for } V_{IN} = 2 \cdot V_O$$

$$C_{IN(MIN)} = \frac{1}{\left(\frac{V_{PP}}{I_O} - ESR\right) \cdot 4 \cdot F_S}$$

Always examine the ceramic capacitor DC voltage coefficient characteristics when selecting the proper value. For example, the capacitance of a 10µF, 6.3V, X5R ceramic capacitor with 5.0V DC applied is actually about 6µF.

**Eight-Channel LDO with DC/DC Converter**

The maximum input capacitor RMS current is:

$$I_{\text{RMS}} = I_{\text{O}} \cdot \sqrt{\frac{V_{\text{O}}}{V_{\text{IN}}} \cdot \left(1 - \frac{V_{\text{O}}}{V_{\text{IN}}}\right)}$$

The input capacitor RMS ripple current varies with the input and output voltage and will always be less than or equal to half of the total DC load current.

$$\sqrt{\frac{V_{\text{O}}}{V_{\text{IN}}} \cdot \left(1 - \frac{V_{\text{O}}}{V_{\text{IN}}}\right)} = \sqrt{D \cdot (1 - D)} = \sqrt{0.5^2} = \frac{1}{2}$$

For  $V_{\text{IN}} = 2 * V_{\text{O}}$

$$I_{\text{RMS}} = \frac{I_{\text{O}}}{2}$$

The term  $\frac{V_{\text{O}}}{V_{\text{IN}}} \cdot \left(1 - \frac{V_{\text{O}}}{V_{\text{IN}}}\right)$  appears in both the input voltage ripple and input capacitor RMS current equations and is a maximum when  $V_{\text{O}}$  is twice  $V_{\text{CC}}$ . This is why the input voltage ripple and the input capacitor RMS current ripple are a maximum at 50% duty cycle.

The input capacitor provides a low impedance loop for the edges of pulsed current drawn by the AAT2608A step-down switching regulators. Low ESR/ESL X7R and X5R ceramic capacitors are ideal for this function. To minimize stray inductance, the capacitor should be placed as closely as possible to the IC. This keeps the high frequency content of the input current localized, minimizing EMI and input voltage ripple.

A laboratory test set-up typically consists of two long wires running from the bench power supply to the evaluation board input voltage pins. The inductance of these wires, along with the low-ESR ceramic input capacitor, can create a high Q network that may affect converter performance. This problem often becomes apparent in the form of excessive ringing in the output voltage during load transients. Errors in the loop phase and gain measurements can also result.

Since the inductance of a short PCB trace feeding the input voltage is significantly lower than the power leads from the bench power supply, most applications do not exhibit this problem.

In applications where the input power source lead inductance cannot be reduced to a level that does not affect the converter performance, a high ESR tantalum or aluminum electrolytic should be placed in parallel with the low ESR, ESL bypass ceramic. This dampens the high Q network and stabilizes the system.

**Output Capacitor**

The output capacitor limits the output ripple and provides holdup during large load transitions. A 10 $\mu$ F to 22 $\mu$ F X5R or X7R ceramic capacitor typically provides sufficient bulk capacitance to stabilize the output during large load transitions and has the ESR and ESL characteristics necessary for low output ripple; see Table 2 for suggested capacitor components

The output voltage droop due to a load transient is dominated by the capacitance of the ceramic output capacitor. During a step increase in load current, the ceramic output capacitor alone supplies the load current until the loop responds. Within several switching cycles, the loop responds and the inductor current increases to match the load current demand. The relationship of the output voltage droop during the several switching cycles to the output capacitance can be estimated by:

$$C_{\text{OUT}} = \frac{3 \cdot \Delta I_{\text{LOAD}}}{V_{\text{DROOP}} \cdot F_{\text{S}}}$$

Once the average inductor current increases to the DC load level, the output voltage recovers. The above equation establishes a limit on the minimum value for the output capacitor with respect to load transients.

The internal voltage loop compensation also limits the minimum output capacitor value to 10 $\mu$ F. This is due to its effect on the loop crossover frequency (bandwidth), phase margin, and gain margin. Increased output capacitance will reduce the crossover frequency with greater phase margin.

The maximum output capacitor RMS ripple current is given by:

$$I_{\text{RMS(MAX)}} = \frac{1}{2 \cdot \sqrt{3}} \cdot \frac{V_{\text{OUT}} \cdot (V_{\text{IN(MAX)}} - V_{\text{OUT}})}{L \cdot F_{\text{S}} \cdot V_{\text{IN(MAX)}}}$$

Dissipation due to the RMS current in the ceramic output capacitor ESR is typically minimal, resulting in less than a few degrees rise in hot-spot temperature.

## AAT2608A

## Eight-Channel LDO with DC/DC Converter

**LDO Regulators****Input Capacitor**

Typically, a 1.0µF or larger ceramic capacitor is recommended for  $C_{VCC}$ ,  $C_{IN5/6}$ , and  $C_{IN7/8}$  in most applications. The input capacitor should be located as close to the input ( $V_{CC}/V_{IN5/6}/V_{IN7/8}$ ) of the device as practically possible.  $C_{VCC}$ ,  $C_{IN5/6}$ , and  $C_{IN7/8}$  values greater than 1.0µF will offer superior input line transient response and will assist in maximizing power supply ripple rejection.

**Output Capacitor**

For proper load voltage regulation and operational stability, a capacitor is required between the LDOx and AGND pins. The  $C_{OUTx}$  capacitor connection to the LDO regulator ground pin should be made as direct as practically possible for maximum device performance.

The AAT2608A's LDO regulators have been specifically designed to function with very low ESR ceramic capacitors. Although the device is intended to operate with these low ESR capacitors, it is stable over a very wide range of capacitor ESR, thus it will also work with higher ESR tantalum or aluminum electrolytic capacitors. However, for best performance, ceramic capacitors are recommended.

Typical output capacitor values for maximum output current conditions range from 1µF to 10µF.

**Thermal Calculations**

There are three types of losses associated with the AAT2608A total power management solution (one step-down converter and eight LDO regulators): switching losses, conduction losses, and quiescent current losses. Conduction losses are associated with the  $R_{DS(ON)}$  characteristics of the internal power switches/FETs of both of the stepdown regulators and the power loss associated with the voltage difference across the pass switch/FET of the four LDO regulators. Switching losses are dominated by the gate charge of the power output switching devices. At full load, assuming continuous conduction mode (CCM), a simplified form of the losses is given by the following (quiescent and switching losses are ignored, since conduction losses are so dominant):

$$P_B = \frac{I_{OB}^2 \cdot (R_{DS(ON)H} \cdot V_{OB} + R_{DS(ON)L} \cdot [V_{INB1} - V_{OB1}])}{V_{IN}}$$

$$P_{LDO1} = I_{LDO1} \cdot (V_{CC} - V_{OL1})$$

$$P_{LDO2} = I_{LDO2} \cdot (V_{CC} - V_{OL2})$$

$$P_{LDO3} = I_{LDO3} \cdot (V_{CC} - V_{OL3})$$

$$P_{LDO4} = I_{LDO4} \cdot (V_{CC} - V_{OL4})$$

$$P_{LDO5} = I_{LDO5} \cdot (V_{IN5/6} - V_{OL5})$$

$$P_{LDO6} = I_{LDO6} \cdot (V_{IN5/6} - V_{OL6})$$

$$P_{LDO7} = I_{LDO7} \cdot (V_{IN7/8} - V_{OL7})$$

$$P_{LDO8} = I_{LDO8} \cdot (V_{IN7/8} - V_{OL8})$$

$$P_{LDO8} = I_{LDO8} \cdot (V_{IN7/8} - V_{OL8})$$

$$P_{TOTAL} = P_B + P_{LDO1} + P_{LDO2} + P_{LDO3} + P_{LDO4} + P_{LDO5} + P_{LDO6} + P_{LDO7} + P_{LL}$$

$P_B$ : Power dissipation of the DC-DC regulator

$I_{OB}$ : Output current of the specific DC-DC regulator

$R_{DS(ON)H}$ : Resistance of the internal high-side switch/FET

$R_{DS(ON)L}$ : Resistance of the internal low-side switch/FET

$V_{OB}$ : Output voltage of the DC-DC regulator

$V_{CC}$ : Input voltage of the DC-DC regulator and LDOs 1 to 4

$P_{LDOx}$ : Power dissipation of the specific LDO regulator

$I_{LDOx}$ : Output current of the specific LDO regulator

$V_{IN5/6}$ : Input voltage of regulators LDO5 and LDO6

$V_{IN7/8}$ : Input voltage of regulators LDO7 and LDO8

$V_{OLx}$ : Output voltage of the specific LDO regulator

$P_{TOTAL}$ : Total power dissipation of the AAT2608A

Since  $R_{DS(ON)}$  and conduction losses all vary with input voltage, the dominant losses should be investigated over the complete input voltage range. Given the total conduction losses, the maximum junction temperature (125°C) can be derived from the  $\theta_{JA}$  for the TQFN44-28 package which is 50°C/W.

$$T_{J(MAX)} = P_{TOTAL} \cdot \theta_{JA} + T_A$$

$$T_{J(MAX)} = P_{TOTAL} \cdot \theta_{JA} + T_A$$

$T_{J(MAX)}$ : Maximum junction temperature

$P_{TOTAL}$ : Total conduction losses

$\theta_{JA}$ : Thermal impedance of the package

$T_A$ : Ambient temperature

# AAT2608A

## Eight-Channel LDO with DC/DC Converter

### Layout

The suggested PCB layout for the AAT2608A is shown in Figures 4 and 5. The following guidelines should be used to help ensure a proper layout.

1. The input capacitors (C1, C2, C3, C4) should connect as closely as possible to VIN (Pin 22), VIN56 (Pin 18), VIN78 (Pin 17), and VCC (Pin 5), and AGND/PGND (Pins 4 and 24).
2. C13 (the step-down regulator output capacitor) and L1 should be connected as closely as possible. The connection of L1 to the LX pin should be as short as possible.
3. The feedback trace or FBx pin (Pins 7, 14, 15, and 28) should be separate from any power trace and connect as closely as possible to the load point. Sensing along a high current load trace will degrade DC load regulation. If external feedback resistors are used, they should be placed as closely as possible to the FBx pin (Pins 7, 14, 15, and 23) to minimize the length of the high impedance feedback trace.
4. The resistance of the trace from the load return to the PGND (Pins 24) should be kept to a minimum. This will help to minimize any error in DC regulation due to differences in the potential of the internal signal ground and the power ground.
5. For good thermal coupling, PCB vias are required from the pad for the TQFN44-28 exposed paddle to the ground plane.

Manufacturer	Part Number / Type	Inductance ( $\mu\text{H}$ )	Rated Current (A)	DCR ( $\text{m}\Omega$ ) (max)	Size (mm) LxWxH
TDK	LTF5022	1.2	4.3	25	5x5.2x2.2
		1.8	3.6	32	
		2.2	3.2	40	
		3.3	2.5	60	
Würth Elektronik	WE-TPC Type M	1	2.6	30	4.8x4.8x1.8
		1.8	2.35	50	
		2.7	2.03	60	
		3.3	1.8	65	
	WE-TPC Type MH	1.2	2.8	20	4.8x4.8x2.8
		1.8	2.45	25	
		2.2	2.35	28	
		2.7	1.95	30	
Murata	LQH55D	1	4	19 (typ)	5x5.7x4.7
		1.5	3.7	22 (typ)	
		2.2	3.2	29 (typ)	
		3.3	2.9	36 (typ)	

**Table 1: Suggested Inductor Components.**

Manufacturer	Part Number	Value	Voltage	Temp. Co.	Case
AVX	0603ZD105K	1 $\mu\text{F}$	10	X5R	0603
	0603ZD225K	2.2 $\mu\text{F}$	10		
TDK	C1608X5R1E105K	1 $\mu\text{F}$	25	X5R	0603
	C1608X5R1C225K	2.2 $\mu\text{F}$	16		
	C1608X5R1A475K	4.7 $\mu\text{F}$	10		
	C2012X5R1A106K	10 $\mu\text{F}$	10		
	C3216X5R1A226K	22 $\mu\text{F}$	10		
Murata	GRM188R61C105K	1 $\mu\text{F}$	16	X5R	0603
	GRM188R61A225K	2.2 $\mu\text{F}$	10		
	GRM219R61A106K	10 $\mu\text{F}$	10		
	GRM31CR71A226K	22 $\mu\text{F}$	10		
Taiyo Yuden	LMK107BJ475KA	4.7 $\mu\text{F}$	10	X5R	0603

**Table 2: Suggested Capacitor Components.**

# AAT2608A

## Eight-Channel LDO with DC/DC Converter

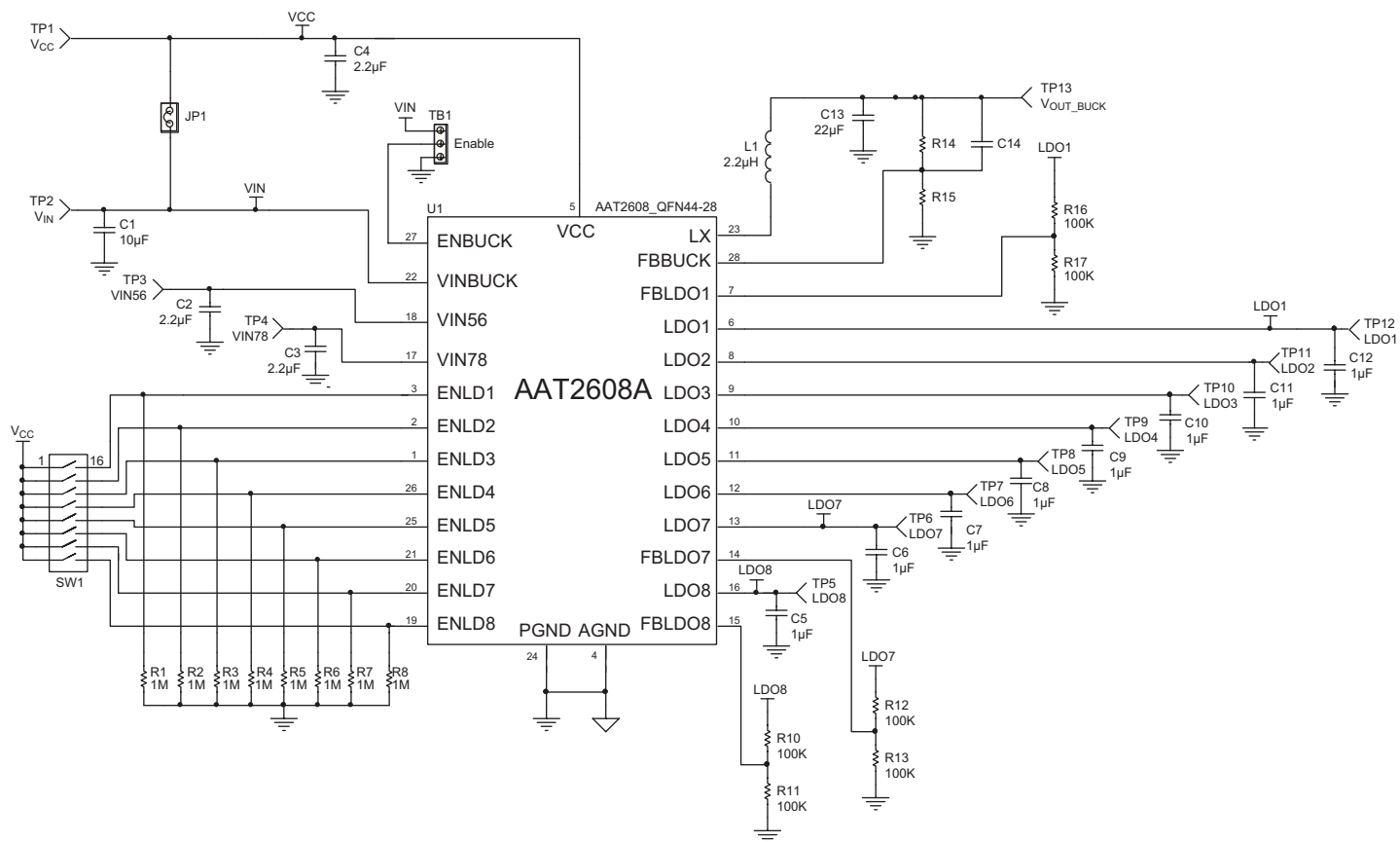


Figure 1: AAT2608A Evaluation Board Schematic.

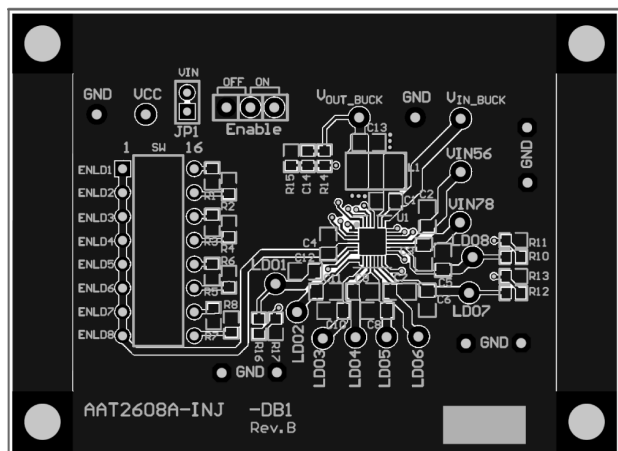


Figure 2: AAT2608A Evaluation Board Top Side PCB Layout.

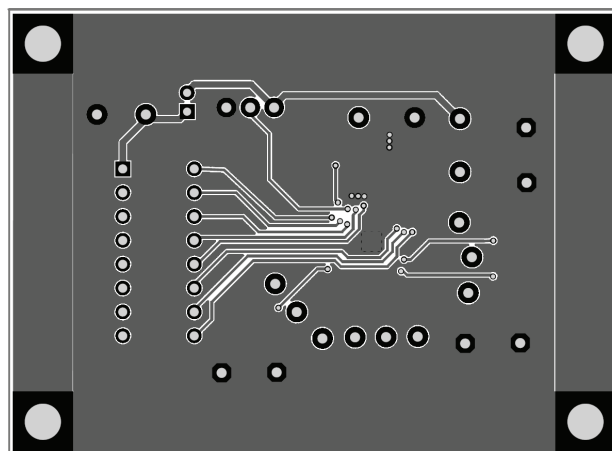


Figure 3: AAT2608A Evaluation Board Bottom Side PCB Layout.



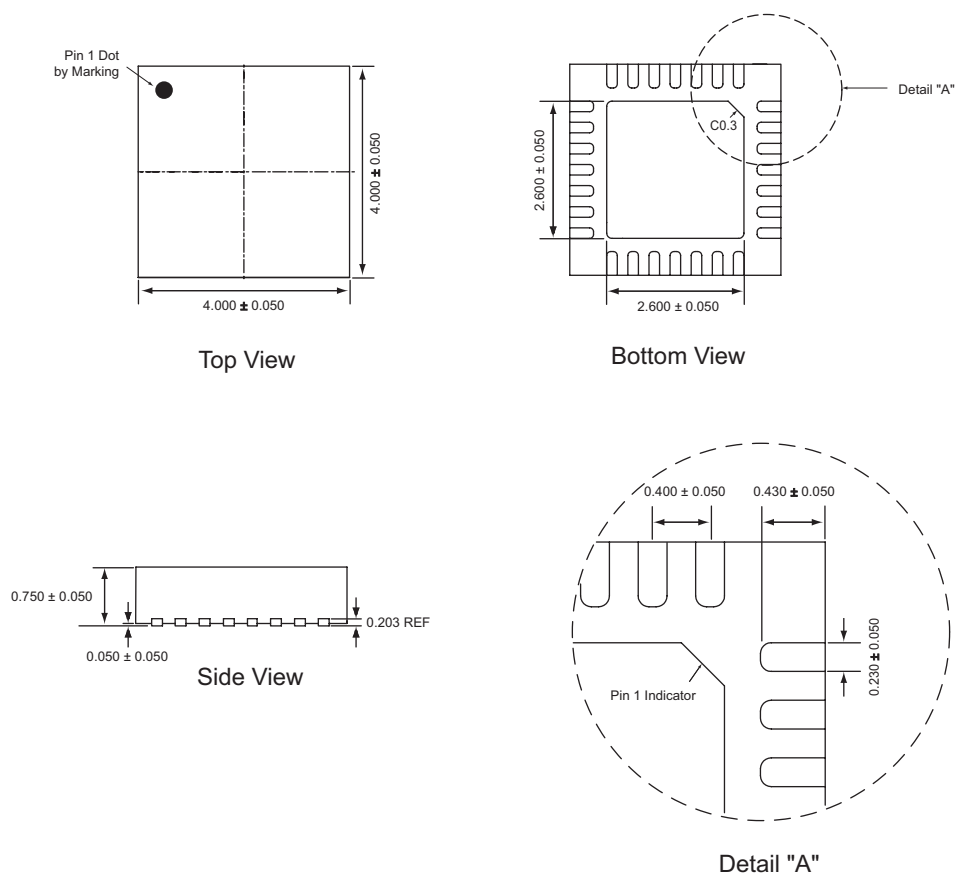
**AAT2608A****Eight-Channel LDO with DC/DC Converter****Ordering Information**

Package	Marking <sup>1</sup>	Part Number (Tape and Reel) <sup>2</sup>
TQFN44-28	9RXY	<b>AAT2608AINJ-1-T1</b>



Skyworks Green™ products are compliant with all applicable legislation and are halogen-free.

For additional information, refer to *Skyworks Definition of Green™*, document number SQ04-0074.

**Package Information<sup>3</sup>****TQFN44-28**

All dimensions in millimeters.

1. XYY = assembly and date code.
2. Sample stock is generally held on part numbers listed in **BOLD**.
3. The leadless package family, which includes QFN, TQFN, DFN, TDFN and STDFN, has exposed copper (unplated) at the end of the lead terminals due to the manufacturing process. A solder fillet at the exposed copper edge cannot be guaranteed and is not required to ensure a proper bottom solder connection.



# AAT2608A

## *Eight-Channel LDO with DC/DC Converter*

Copyright © 2012 Skyworks Solutions, Inc. All Rights Reserved.

Information in this document is provided in connection with Skyworks Solutions, Inc. ("Skyworks") products or services. These materials, including the information contained herein, are provided by Skyworks as a service to its customers and may be used for informational purposes only by the customer. Skyworks assumes no responsibility for errors or omissions in these materials or the information contained herein. Skyworks may change its documentation, products, services, specifications or product descriptions at any time, without notice. Skyworks makes no commitment to update the materials or information and shall have no responsibility whatsoever for conflicts, incompatibilities, or other difficulties arising from any future changes.

No license, whether express, implied, by estoppel or otherwise, is granted to any intellectual property rights by this document. Skyworks assumes no liability for any materials, products or information provided hereunder, including the sale, distribution, reproduction or use of Skyworks products, information or materials, except as may be provided in Skyworks Terms and Conditions of Sale.

THE MATERIALS, PRODUCTS AND INFORMATION ARE PROVIDED "AS IS" WITHOUT WARRANTY OF ANY KIND, WHETHER EXPRESS, IMPLIED, STATUTORY, OR OTHERWISE, INCLUDING FITNESS FOR A PARTICULAR PURPOSE OR USE, MERCHANTABILITY, PERFORMANCE, QUALITY OR NON-INFRINGEMENT OF ANY INTELLECTUAL PROPERTY RIGHT; ALL SUCH WARRANTIES ARE HEREBY EXPRESSLY DISCLAIMED. SKYWORKS DOES NOT WARRANT THE ACCURACY OR COMPLETENESS OF THE INFORMATION, TEXT, GRAPHICS OR OTHER ITEMS CONTAINED WITHIN THESE MATERIALS. SKYWORKS SHALL NOT BE LIABLE FOR ANY DAMAGES, INCLUDING BUT NOT LIMITED TO ANY SPECIAL, INDIRECT, INCIDENTAL, STATUTORY, OR CONSEQUENTIAL DAMAGES, INCLUDING WITHOUT LIMITATION, LOST REVENUES OR LOST PROFITS THAT MAY RESULT FROM THE USE OF THE MATERIALS OR INFORMATION, WHETHER OR NOT THE RECIPIENT OF MATERIALS HAS BEEN ADVISED OF THE POSSIBILITY OF SUCH DAMAGE.

Skyworks products are not intended for use in medical, lifesaving or life-sustaining applications, or other equipment in which the failure of the Skyworks products could lead to personal injury, death, physical or environmental damage. Skyworks customers using or selling Skyworks products for use in such applications do so at their own risk and agree to fully indemnify Skyworks for any damages resulting from such improper use or sale.

Customers are responsible for their products and applications using Skyworks products, which may deviate from published specifications as a result of design defects, errors, or operation of products outside of published parameters or design specifications. Customers should include design and operating safeguards to minimize these and other risks. Skyworks assumes no liability for applications assistance, customer product design, or damage to any equipment resulting from the use of Skyworks products outside of stated published specifications or parameters.

Skyworks, the Skyworks symbol, and "Breakthrough Simplicity" are trademarks or registered trademarks of Skyworks Solutions, Inc., in the United States and other countries. Third-party brands and names are for identification purposes only, and are the property of their respective owners. Additional information, including relevant terms and conditions, posted at [www.skyworksinc.com](http://www.skyworksinc.com), are incorporated by reference.