

General Description

The AAT4901 FastSwitch™ is a member of Skyworks' Application Specific Power MOSFET (ASPM™) product family. It is a full-bridge buffered power stage operating with an input voltage range of 2.0V to 5.5V. The device is designed to operate with a switching frequency of up to 2MHz, minimizing the cost and size of external components. The AAT4901 is protected from shoot-through current by integrated break-before-make circuitry. The drivers can be independently controlled and their propagation delay, from input to output, is typically between 8ns-19ns dependent upon logic option.

Four options are offered providing a single input control, dual input control or as two independent half-bridges.

Other features include low $R_{DS(ON)}$ and low quiescent current allowing for high efficiency performance. The AAT4901 includes thermal protection to safeguard the device under extreme operating conditions.

The AAT4901 is available in the space-saving, Pb-free 8-pin SC70JW package and is rated over the -40°C to +85°C temperature range.

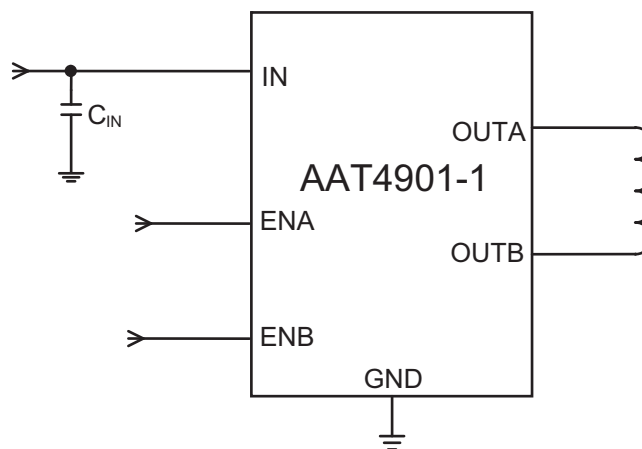
Features

- V_{IN} Range: 2.0V–5.5V
- $R_{DS(ON)}$:
 - High-side 240m Ω
 - Low-side 200m Ω
- Break-Before-Make Shoot-Through Protection
- 4 Options
 - Single Control Input with Enable
 - Two Logic Versions
 - Dual Control Input with Brake Function
 - Dual Half-bridge
- Low Quiescent Current:
 - 10 μ A (max) DC
 - 5mA (max) at 1MHz
- Over-Temperature Protection
- -40°C to +85°C Temperature Range
- SC70JW-8 Package

Applications

- DC Motor Drive
- Door Locks
- Dual Low-Side MOSFET Gate Driver
- Fan Motors
- High Frequency DC/DC Converters
- High Speed Line Drive
- Proximity Detectors

Typical Applications



AAT4901

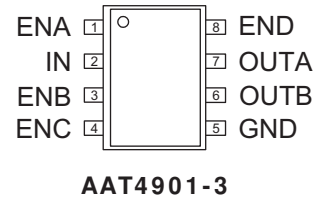
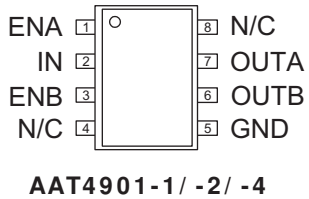
Buffered Power Full Bridge

Pin Descriptions

Pin #	Symbol		Function
	-1, -2, -4	-3	
1	ENA		Active high enable signal.
2	IN		Supply voltage input; input voltage range from 2.0V to 5.5V.
3	ENB		Active high enable signal.
4	N/C	ENC	4901-1/-2/-4: No connection. 4901-3: Active high enable signal.
5	GND		Ground connection
6	OUTB		Output of half-bridge B. Connect to load.
7	OUTA		Output of half-bridge A. Connect to load.
8	N/C	END	4901-1/-2/-4: No connection. 4901-3: Active high enable signal.

Pin Configuration

SC70JW-8
(Top View)



Absolute Maximum Ratings¹

Symbol	Description	Value	Units
V_{IN}	IN to GND	-0.3 to 6.0	V
V_{EN}	ENA, ENB, ENC, END to GND	-0.3 to $V_{IN} + 0.3$	V
V_{OUT}	OUT to GND	-0.3 to $V_{IN} + 0.3$	V
I_{MAX}	Maximum Continuous Switch Current	0.7	A
$I_{MAX(PK)}$	Maximum Peak Current	3	A
T_{LEAD}	Maximum Soldering Temperature (at Leads)	300	°C

Thermal Information

Symbol	Description	Value	Units
P_D	Maximum Power Dissipation ($T_A = 25^\circ\text{C}$)	440	mW
Θ_{JA}	Thermal Resistance ²	225	°C/W
T_J	Operating Junction Temperature Range	-40 to 150	°C

1. Stresses above those listed in Absolute Maximum Ratings may cause permanent damage to the device. Functional operation at conditions other than the operating conditions specified is not implied. Only one Absolute Maximum Rating should be applied at any one time.
2. Mounted on a FR4 board.

Electrical Characteristics¹

$V_{IN} = 5V$, $T_A = -40$ to $85^\circ C$ unless otherwise noted. Typical values are at $T_A = 25^\circ C$.

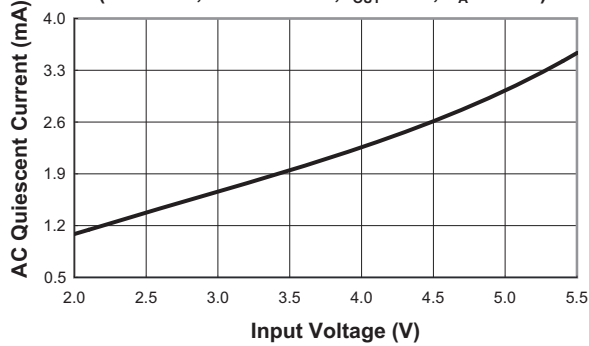
Symbol	Description	Conditions	Min	Typ	Max	Units
V_{IN}	Operation Voltage		2.0		5.5	V
I_{QAC}	AC Quiescent Current	IN = 5V, ENB (D) = IN, ENA (C) = 1MHz, $I_{OUT} = 0$	AAT4901-1	3	5	mA
			AAT4901-2	1.6	4	
			AAT4901-3	1.6	4	
			AAT4901-4	0.9	2.5	
I_{QDC}	DC Quiescent Current	IN = 5V, ENB (D) = IN, ENA (C) = GND, $I_{OUT} = 0$	AAT4901-1	5.5	10.0	μA
			AAT4901-2			
			AAT4901-3			
			AAT4901-4			
$I_{Q(OFF)}$	Off-Supply Current	ENB (D) = ENA (C) = GND, IN = OUT = 5.5V			1.0	μA
$I_{SD(OFF)}$	Off-Switch Current	ENB (D) = GND, IN = 5.5V, $V_{OUT} = 0$, or OUT = IN		0.03	1	μA
$R_{DS(ON)H}$	High Side MOSFET On-Resistance	$V_{IN} = 4.5V$		240		m Ω
		$V_{IN} = 3.0V$		270		
		$V_{IN} = 2.0V$		360		
$R_{DS(ON)L}$	Low Side MOSFET On-Resistance	$V_{IN} = 4.5V$		200		m Ω
		$V_{IN} = 3.0V$		230		
		$V_{IN} = 2.0V$		300		
V_{ONL}	ENA (C), ENB (D) Input Low Voltage				0.4	V
V_{ONH}	ENA (C), ENB (D) Input High Voltage		1.5			V
V_{HYS}	ENA (C), ENB (D) Input Hysteresis			200		mV
I_{SINK}	ENA (C), ENB (D) Input Leakage	ENA (C), ENB (D) = 5.5V		0.01	1.0	μA
T_{BBM}	Break-Before-Make Time	ENA (C) Rising		5.0		ns
		ENA (C) Falling		5.0		ns
T_{SHDH}	Chip Thermal Shutdown Temperature	Threshold		145		$^\circ C$
		Hysteresis		25		
T_{ON-DLY}	ENA (C) to OUT Delay	ENA (C) Rising	AAT4901-1	15		ns
			AAT4901-2	15		
			AAT4901-3	8		
			AAT4901-4	14		
	ENA (C) Falling	AAT4901-1	18		ns	
		AAT4901-2	15			
		AAT4901-3	7			
		AAT4901-4	19			
T_{HIZ}	ENA (C) = GND	AAT4901-1	12		ns	
		AAT4901-2	10			
		AAT4901-3	10			
		AAT4901-4	12			
	ENA (C) = IN	AAT4901-1	11		ns	
		AAT4901-2	10			
		AAT4901-3	7			
		AAT4901-4	12			

1. The AAT4901 is guaranteed to meet performance specifications over the $-40^\circ C$ to $+85^\circ C$ operating temperature range and is assured by design, characterization, and correlation with statistical process controls.

Typical Characteristics

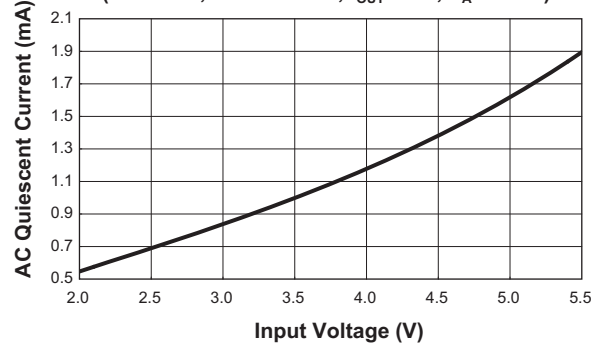
AAT4901-1 AC Quiescent Current vs. Input Voltage

(ENB = IN; ENA = 1MHz; I_{OUT} = 0A; T_A = 25°C)



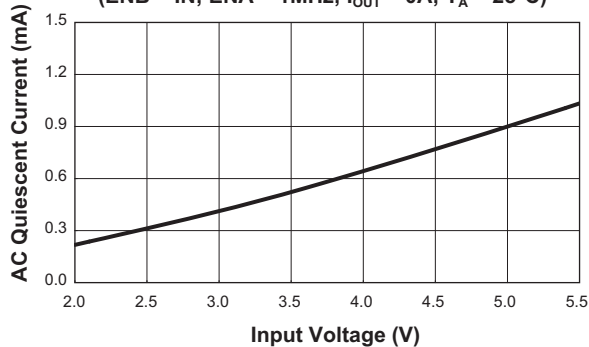
AAT4901-2 AC Quiescent Current vs. Input Voltage

(ENB = IN; ENA = 1MHz; I_{OUT} = 0A; T_A = 25°C)



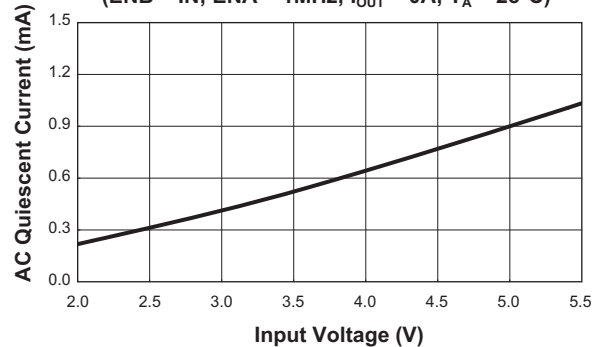
AAT4901-3 AC Quiescent Current vs. Input Voltage

(ENB = IN; ENA = 1MHz; I_{OUT} = 0A; T_A = 25°C)



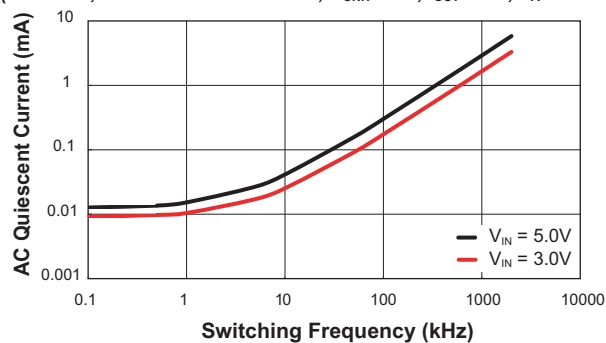
AAT4901-4 AC Quiescent Current vs. Input Voltage

(ENB = IN; ENA = 1MHz; I_{OUT} = 0A; T_A = 25°C)



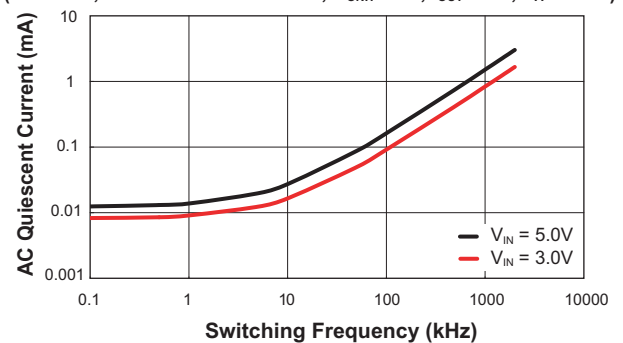
AAT4901-1 AC Quiescent Current vs. Switching Frequency

(ENB = IN; ENA = 0.1kHz~2000kHz; V_{ONH} = 2V; I_{OUT} = 0A; T_A = 25°C)



AAT4901-2 AC Quiescent Current vs. Switching Frequency

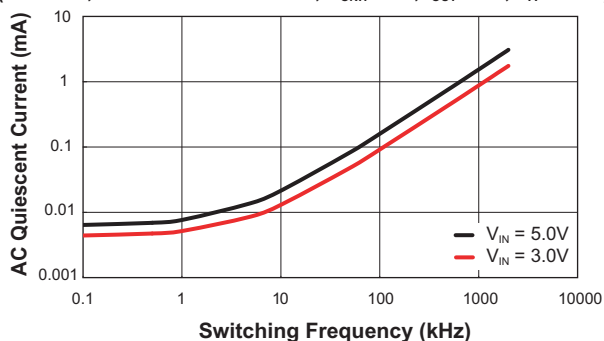
(ENB = IN; ENA = 0.1kHz~2000kHz; V_{ONH} = 2V; I_{OUT} = 0A; T_A = 25°C)



Typical Characteristics

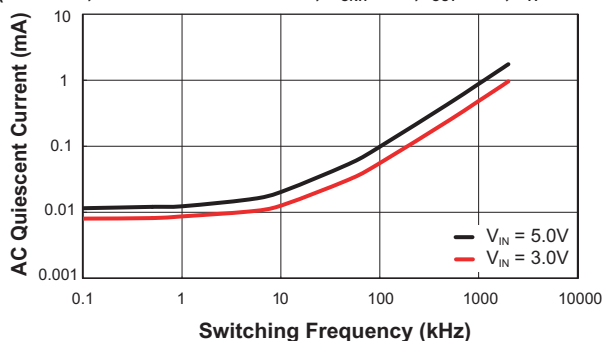
AAT4901-3 AC Quiescent Current vs. Switching Frequency

(ENB = IN; ENA = 0.1kHz~2000kHz; $V_{ONH} = 2V$; $I_{OUT} = 0A$; $T_A = 25^\circ C$)



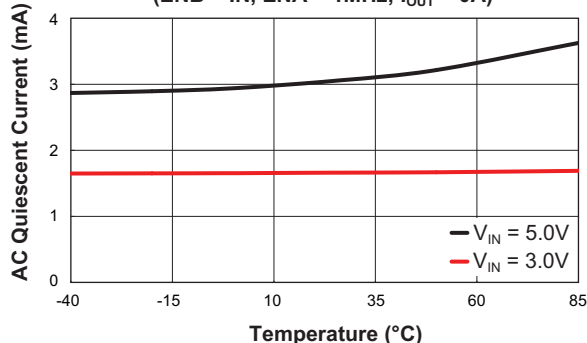
AAT4901-4 AC Quiescent Current vs. Switching Frequency

(ENB = IN; ENA = 0.1kHz~2000kHz; $V_{ONH} = 2V$; $I_{OUT} = 0A$; $T_A = 25^\circ C$)



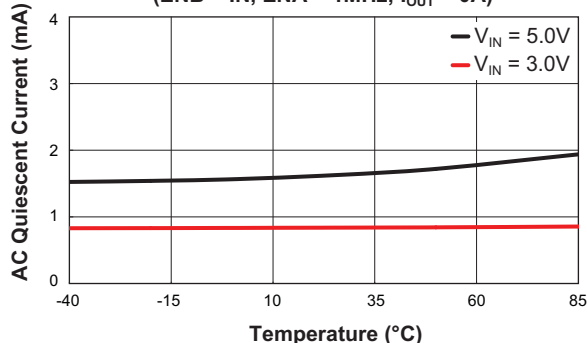
AAT4901-1 AC Quiescent Current vs. Temperature

(ENB = IN, ENA = 1MHz; $I_{OUT} = 0A$)



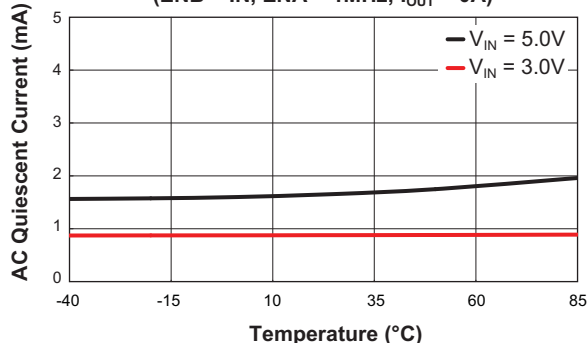
AAT4901-2 AC Quiescent Current vs. Temperature

(ENB = IN, ENA = 1MHz; $I_{OUT} = 0A$)



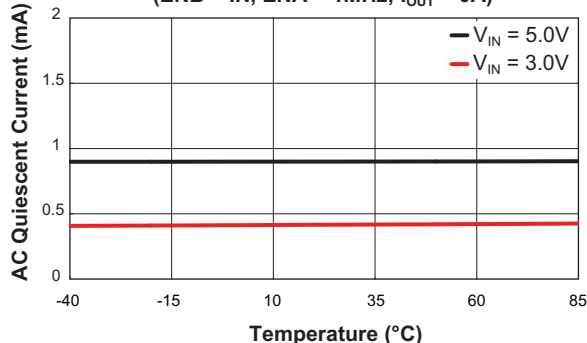
AAT4901-3 AC Quiescent Current vs. Temperature

(ENB = IN, ENA = 1MHz; $I_{OUT} = 0A$)



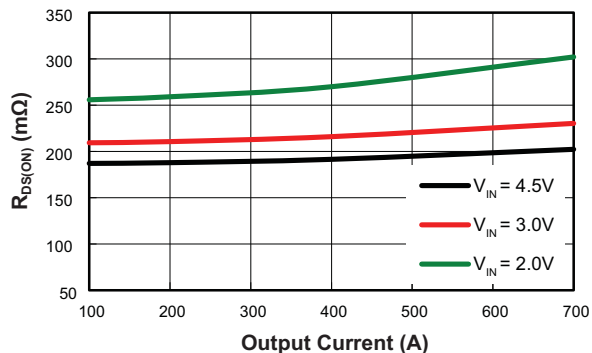
AAT4901-3 AC Quiescent Current vs. Temperature

(ENB = IN, ENA = 1MHz; $I_{OUT} = 0A$)

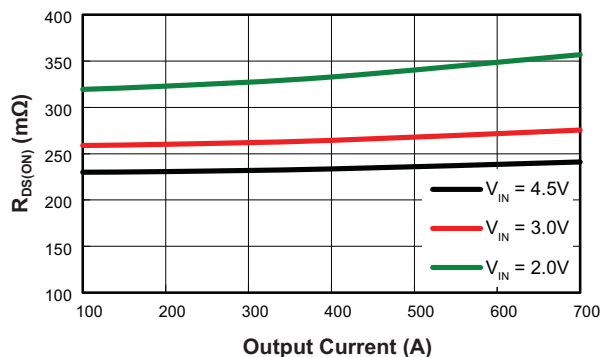


Typical Characteristics

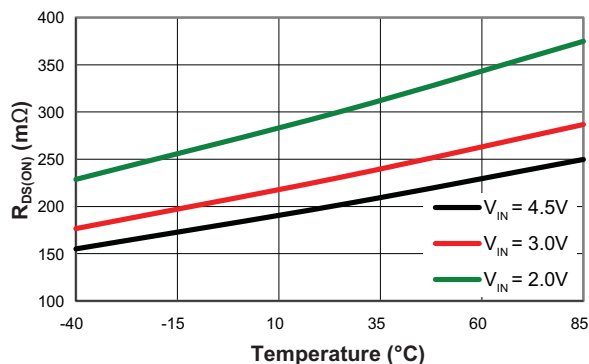
Low Side $R_{DS(ON)}$ vs. Output Current
($T_A = 25^\circ\text{C}$)



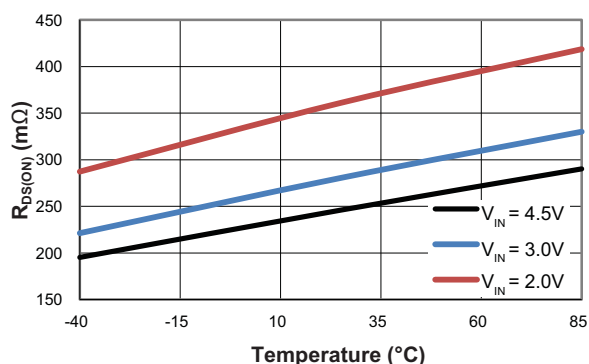
High Side $R_{DS(ON)}$ vs. Output Current
($T_A = 25^\circ\text{C}$)



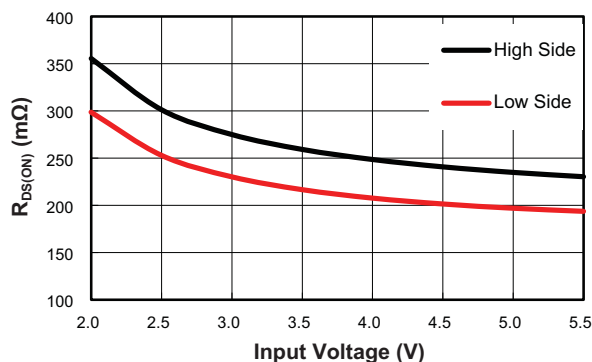
Low Side $R_{DS(ON)}$ vs. Temperature
($I_{OUT} = 0.7\text{A}$)



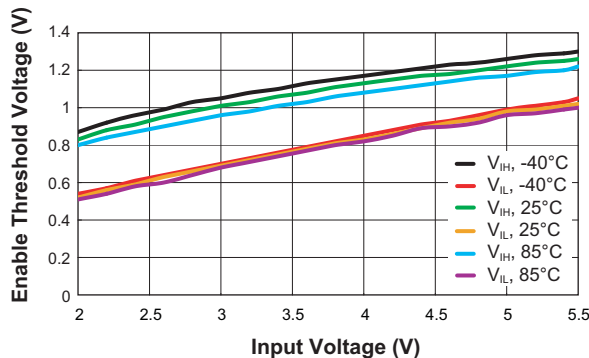
High Side $R_{DS(ON)}$ vs. Temperature
($I_{OUT} = 0.7\text{A}$)

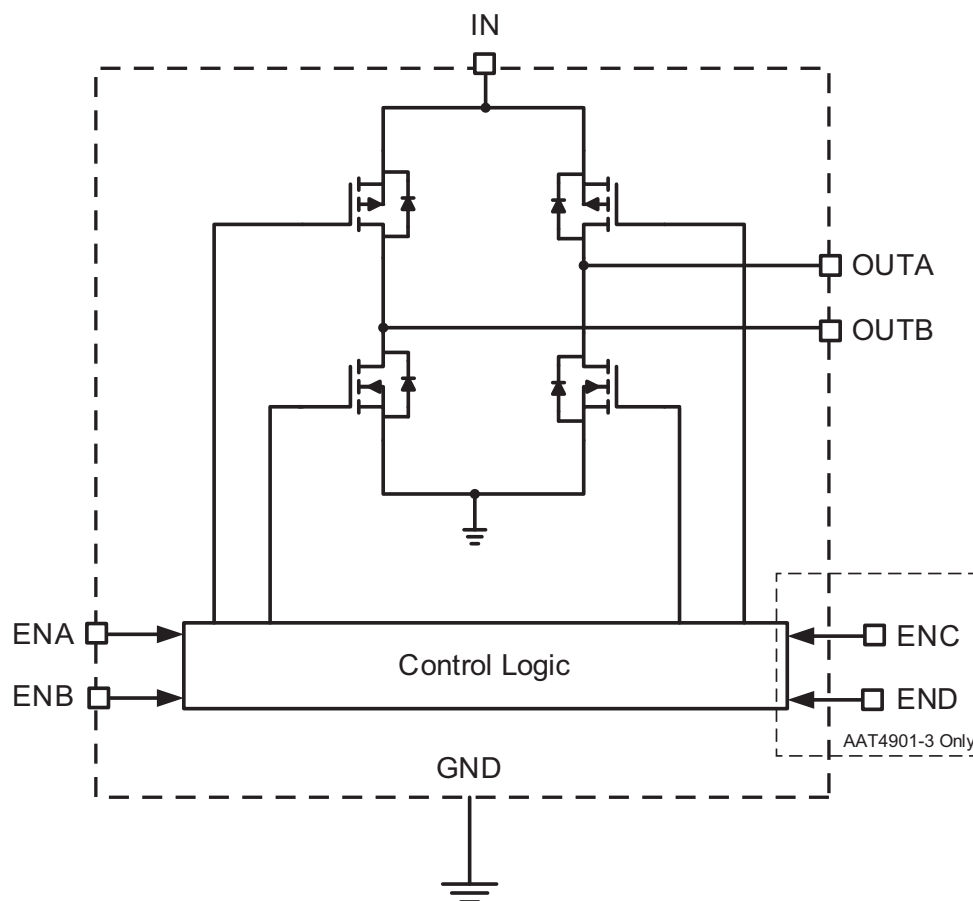


MOSFETs $R_{DS(ON)}$ vs. Input Voltage
($I_{OUT} = 0.7\text{A}$; $T_A = 25^\circ\text{C}$)



AAT4901 Enable A/B/C/D Threshold Voltage vs. Input Voltage



Functional Block Diagram**Functional Description**

The AAT4901 is a buffered full-bridge driver IC with options to allow the device to function as two independent half-bridges. The output stage is capable of driving output loads of up to 0.7A and features break-before-make timing and very fast propagation delay time, allowing high switching speed up to 2MHz. The enable input (EN), when

driven low, turns off the driver and reduces the operating current to less than 1 μ A. Over-temperature shutdown protects the AAT4901 in the case of overload or defective MOSFET. Logic options allow the AAT4901 to be used as a small DC motor driver with break function, a solenoid driver, a dual-low-side MOSFET driver, or as a coil driver. Applications include motor drive, proximity detectors, electronic locks, and DC-DC converters.

AAT4901

Buffered Power Full Bridge

Options

AAT4901-1

H-bridge configuration with two enables. Enable B is active high and enables the H-bridge output. Enable A toggles the H-bridge outputs A and B in anti-phase. In steady state, this can provide forward/reverse motor drive signals.

AAT4901-2

H-bridge configuration with two enables. Enable A and Enable B are in anti-phase and provide forward/reverse and braking.

AAT4901-3

Dual independent half-bridge configuration with four enables. Function similar to 2 x AAT4900.

AAT4901-4

H-bridge with two enables. Enable A and Enable B are in anti-phase and toggle the H-bridge outputs A and B in anti-phase respectively. In steady state, this can provide forward/reverse motor drive signals to adjust the motor speed by various duty cycles.

AAT4901-1/ -4 Logic Table

-1		-4		OUTA	OUTB
ENA	ENB	ENA	ENB		
0	0	0	0	Hi Z	Hi Z
1	0	1	1	Hi Z	Hi Z
0	1	1	0	IN	GND
1	1	0	1	GND	IN

AAT4901-2 Logic Table

ENA	ENB	OUTA	OUTB
0	0	Hi Z	Hi Z
1	0	IN	GND
0	1	GND	IN
1	1	IN	IN

AAT4901-3 Logic Table

ENA/ C	ENB/ D	OUTA/ B
0	0	Hi Z
1	0	Hi Z
0	1	IN
1	1	GND

Timing Diagram

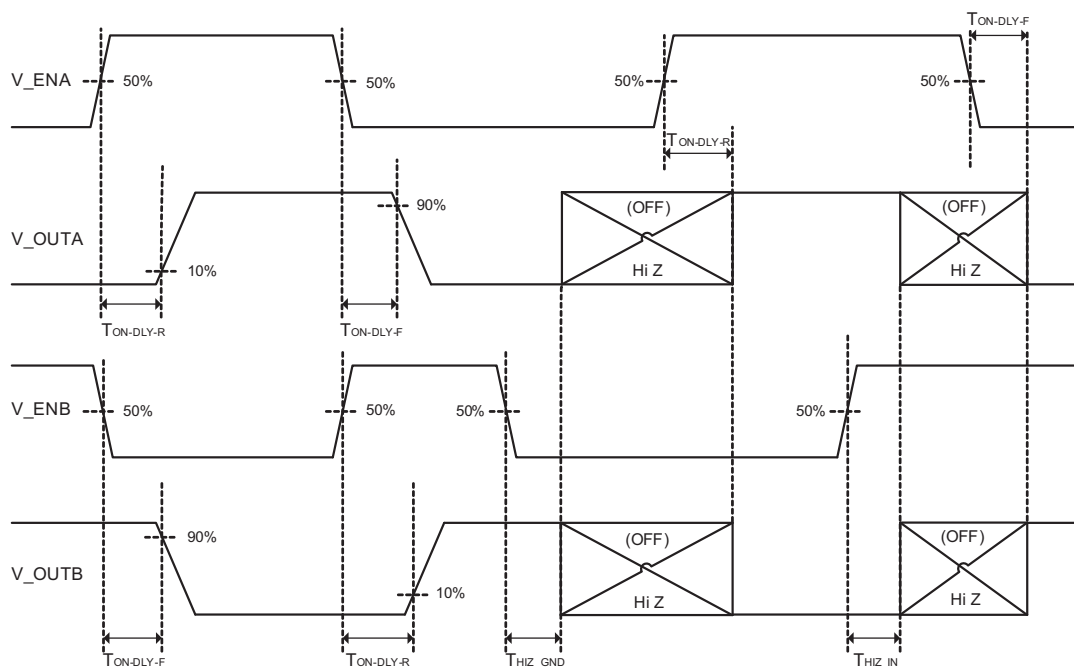


Figure 1: AAT4901-4 Timing Diagram.

Application Information

Input Supply Capacitor

The input capacitor provides a low impedance loop for the edges of pulsed current drawn by the AAT4901 and reduces the surge current drawn from the input power. A 4.7 μ F to 10 μ F X7R or X5R low ESR/ESL ceramic capacitor is selected for the input supply decoupling. To minimize the tray resistance, the capacitor should be placed as closely as possible to the input pin. This keeps the high frequency content of input current localized, minimizing EMI and input voltage ripple.

Shoot-Through Protection

The internal high-side and low-side MOSFETs of the AAT4901 cannot conduct at the same time to prevent shoot-through current. When the high-side MOSFET turns on, the low-side MOSFET turns off first; after 5ns break-before-make time, the high-side MOSFET then turns on. Similarly, before the low-side MOSFET turns on, the high-side MOSFET turns off; after a certain break-before-make time (5ns typ.), the low-side MOSFET turns on. The dead time between the high-side and low-side turn-on should be kept as low as possible to minimize current flows through the body diode of the high-side and/or low-side MOSFET(s). The break-before-make shoot-through protection significantly reduces losses associated with the driver at high frequency.

Thermal Calculations

In the dual low-side MOSFET driver application, the power dissipation of the AAT4901 includes the power dissipation in the MOSFETs due to charging and discharging the gate capacitance, the AC quiescent current power dissipation, and transient power in the driver during output transitions. As the transient power is usually very small, its losses can be ignored. Maximum package power dissipation can be estimated by the following equation:

$$\begin{aligned} \text{Eq. 1: } P_{D(\text{MAX})} &= V_{CC} \cdot I_{IN} = \frac{T_{J(\text{MAX})} - T_A}{\theta_{JA}} \\ &= I_{QAC} \cdot V_{CC} + Q_{G(\text{tot})} F_{SW} \cdot V_{CC} \end{aligned}$$

Where:

$T_{J(\text{MAX})}$ = junction temperature of the dice ($^{\circ}\text{C}$).

T_A = ambient temperature ($^{\circ}\text{C}$).

θ_{JA} = thermal resistance (225 $^{\circ}\text{C}/\text{W}$).

I_{QAC} = AC quiescent current of the driver (mA).

$Q_{G(\text{tot})}$ = total gate charge of external low side MOSFETs (nC).

F_{SW} = switching frequency (MHz).

The maximum junction temperature for the SC70JW-8 package can be derived from Equation 1:

$$\text{Eq. 2: } T_{J(\text{MAX})} = P_{D(\text{MAX})} \cdot \theta_{JA} + T_A$$

For example, if the AAT4901 drives 2 AAT9560 MOSFETs whose maximum gate charge is specified as 13nC for $V_{GATE} = 5\text{V}$, the total power dissipation in the driver at a switching frequency of 1MHz equals:

$$P_{D(\text{tot})} = 2 \cdot (5\text{V} \cdot 13\text{nC} \cdot 1\text{MHz}) + 5\text{V} \cdot 4.0\text{mA} = 150\text{mW}$$

Gate Drive Current Ratings

Assuming that the maximum gate charge of the dual low-side MOSFETs are equal, the maximum gate drive capability for the designed maximum junction temperature without an external resistor can be derived from Equation 1:

$$\text{Eq. 3: } Q_{G(\text{MAX})} = \frac{1}{2 \cdot F_{SW}} \cdot \left(\frac{T_{J(\text{MAX})} - T_A}{\theta_{JA} \cdot V_{IN}} - I_{QAC} \right)$$

The relationship between gate capacitance, turn-on/turn-off time, and the MOSFET driver current rating can be determined by:

$$\text{Eq. 4: } I_{G(\text{MAX})} = C_{G(\text{MAX})} \cdot \frac{dV}{dt}$$

Where:

$I_{G(\text{MAX})}$ = peak drive current for a given voltage

$C_{G(\text{MAX})}$ = maximum gate capacitance

dV = MOSFET gate-to-source voltage

dt = rising time of MOSFET gate-to-source voltage

The relationship between $C_{G(MAX)}$, $Q_{G(MAX)}$, and V_{GATE} is given by:

$$\text{Eq. 5: } C_{G(MAX)} = \frac{Q_{G(MAX)}}{V_{GATE}}$$

The peak current drive requirements for a given MOSFET gate voltage can be derived from Equations 4 and 5:

$$\text{Eq. 6: } I_{G(MAX)} = \frac{Q_{G(MAX)}}{dt}$$

Design Example

$V_{IN} = 5V$
 $V_{GATE} = 5V$
 $F_{SW} = 1MHz$
 $\theta_{JA} = 225^{\circ}C/W$
 $I_{QAC} = 4.0mA$
 $T_{J(MAX)} = 120^{\circ}C$
 $T_A = 85^{\circ}C$
 $t_{RISE} = dt = 10ns$

$$Q_{G(MAX)} = \frac{1}{2 \cdot 1MHz} \cdot \frac{120^{\circ}C - 85^{\circ}C}{225^{\circ}C/W \cdot 5V} \cdot 4.0mA = 13.6nC$$

$$C_{G(MAX)} = \frac{Q_{G(MAX)}}{V_{GATE}} = \frac{13.6nC}{5V} = 2.7nF$$

$$I_{G(MAX)} = \frac{Q_{G(MAX)}}{dt} = \frac{13.6nC}{10ns} = 1.36A$$

Typical Applications

2-Phase Synchronous Buck Converter

The most common AAT4901 applications include multi-phase DC/DC converter output power stages, DC motor drive, a dual low-side MOSFET driver, and a 3-state high-speed high-current line driver.

Figure 2 shows a typical configuration when used as a 2-phase buck converter power stage with synchronous rectification. The EN pin can be used to force outputs OUTA/OUTB to a high impedance state; this allows the output inductor to operate in discontinuous condition mode (DCM) and improves efficiency under light load conditions. The body diode associated with the low-side switching device gives the AAT4901 inductive switching capability, and clamps the LX node at one diode drop below GND during the break-before-make time. The multiphase buck converter assures a stable, high-performance topology for high currents and low voltages which are demanded in computers, workstation, telecom and datacom servers. Figure 3 illustrates output ripple current reduction due to 2-phase cancellation.

Motor Drive

The AAT4901 is ideally suited for use as an efficient output driver for DC motor control due to its full-bridge output stage with integrated MOSFETs. The inductive load switching capability of the AAT4901 eliminates the need for external diodes during commutation time. In applications where rotation is always in the same direction, a single half-bridge AAT4900 can be used to drive a DC motor. If needed to control the rotation in both directions, full-bridge motor control circuits can be applied as shown in Figure 4. In this configuration the motor can be controlled to run clockwise, counter-clockwise, stop rapidly ("regeneration" braking) or free run (coast) to a stop.

Buffered Power Full Bridge

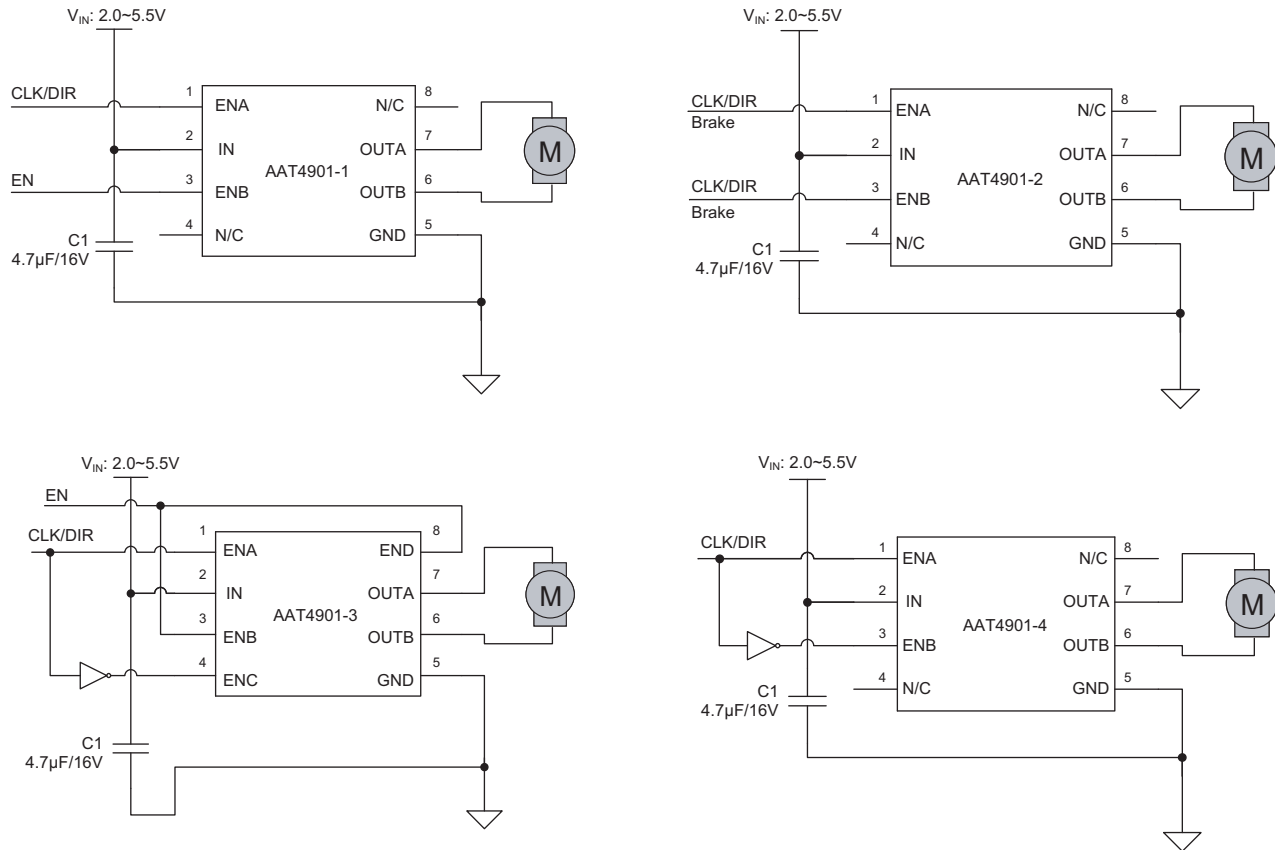


Figure 4: Full-Bridge Motor Driver Using AAT4901.

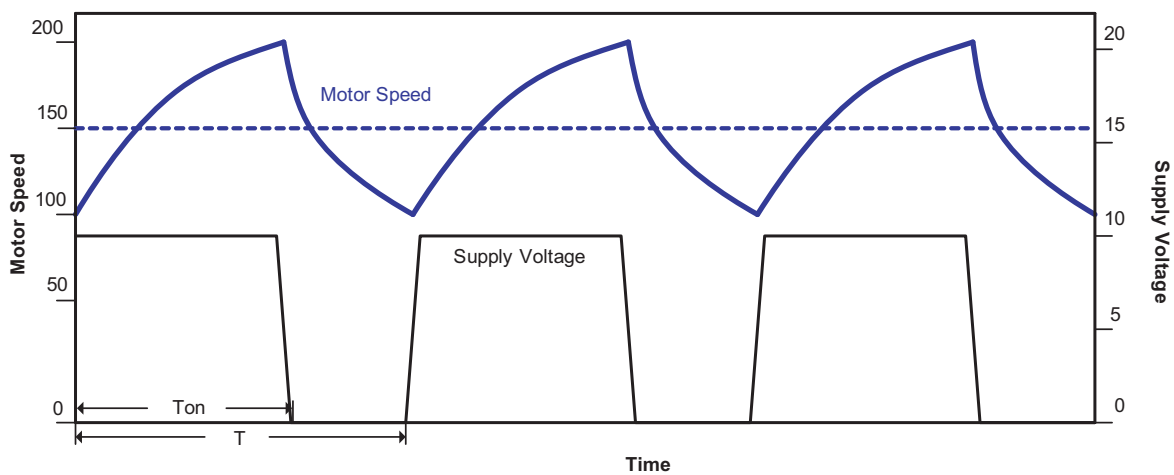


Figure 5: Motor Speed vs. Supply Voltage.

Buffered Power Full Bridge

The minimum switching frequency is chosen based on motor characteristics (the equivalent inductance and the parasitic series resistor) and the percentage of current variation to the average current specified. The minimum switching frequency is in direct proportion to the parasitic series resistor, and in inverse proportion to the equivalent inductance and allowable current ripple.

When driving a high-voltage DC motor, external high-voltage MOSFETs are needed to commutate the motor. In this application, the AAT4901 can be configured as a double-ended gate driver, as illustrated in Figure 6.

The full-bridge power stage operates the motor drive control as shown in Figure 7. Each side of the motor can be connected either to the battery's positive terminal or to the battery's negative terminal through the switch. Note that only one MOSFET on each side of the motor may be turned on at any one time; otherwise the high-side and low-side MOSFETs will short out the battery and burn out.

There is also a diode connected in reverse across the field winding, to absorb the current in the field winding when all four MOSFETs in the bridge are turned off.

During period (A), to make the motor run forwards, Q4 is turned on, and Q1 has the PWM signal applied to it. The current path is shown in blue in Figure 7. At period (B) Q4 is kept on, so when the Q1 PWM signal is off, current can continue to flow around the bottom loop through Q3's parasitic diode. At period (C), to make the motor run backwards or control the speed, Q3 is turned on, and Q2 has the PWM signal applied to it. At period (D), Q3 is kept on, so when the Q2 PWM signal is off, current can continue to flow around the bottom loop through Q4's parasitic diode. At period (E), when the motor is running forwards for example, the motor is now acting as a generator and forcing current through its armature, through Q2's diode, through the battery (thereby charging the battery) and back through Q3's diode.

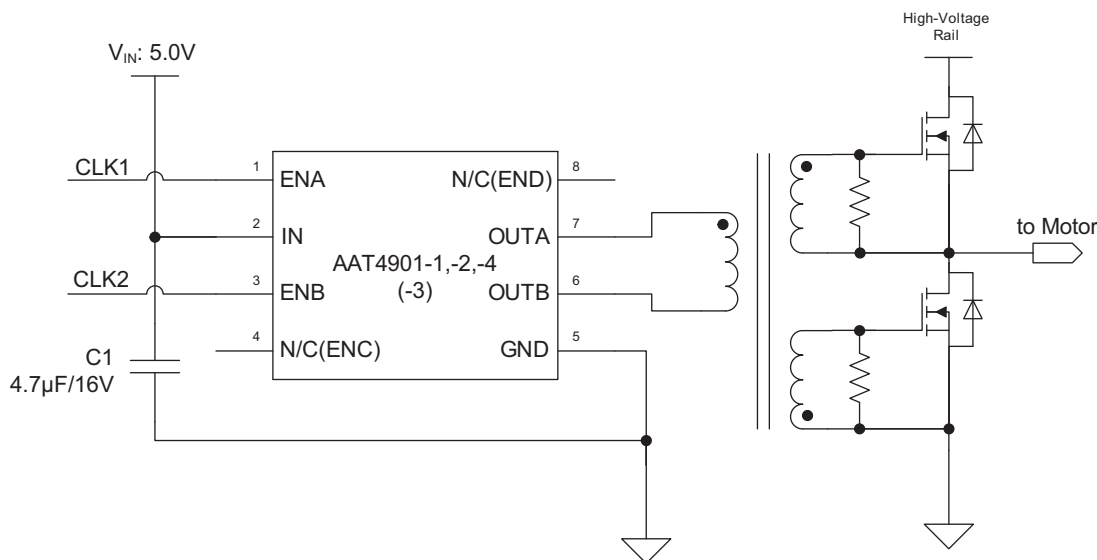


Figure 6: Double-Ended Gate Driver.

Buffered Power Full Bridge

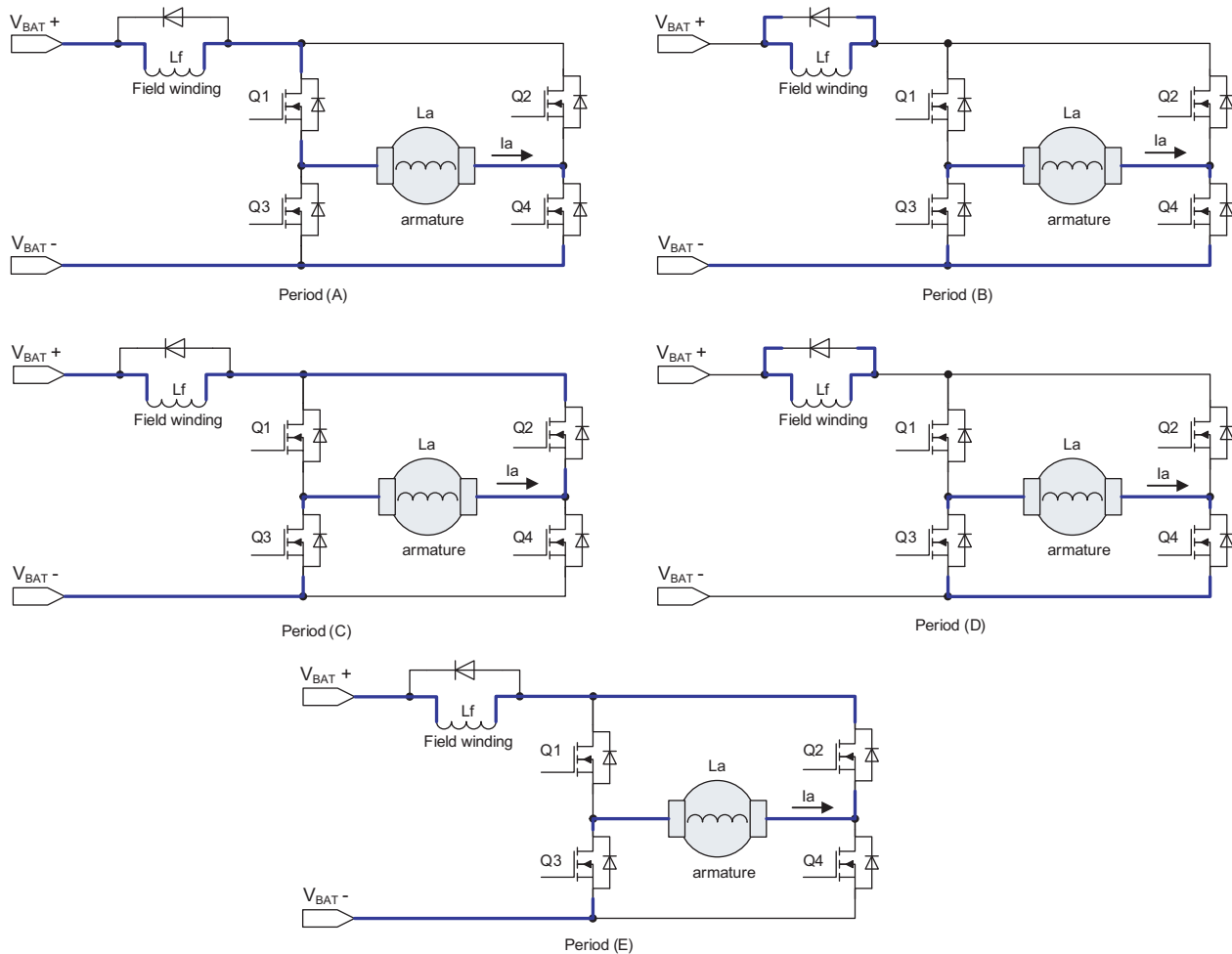


Figure 7: Full-Bridge Motor Drive Control.

Dual Channel, High Speed, High Current 3-State Line Driver

The AAT4901-3 is ideally suited for dual channel, high speed, high current 3-state line driver applications such as CCD clock drivers. The low quiescent power dissipation makes this part attractive in battery powered products. The 3A peak drive capability also makes the AAT4901-3 an excellent choice for driving high speed capacitive lines. The 20ns fast switching/delay time allows clocking speeds up to 10MHz.

Dual Low-Side MOSFET Driver

The AAT4901-3 is also ideally suited for dual low-side MOSFET driver applications due to its dual independent half-bridge output configuration. It can be used in a push-pull topology as illustrated in Figure 9 or in other applications which require the ability to drive the MOSFETs quickly, due to the AAT4901's extremely low $R_{DS(ON)}$ (240m Ω typ.) and very fast propagation time (20ns typ.)

Buffered Power Full Bridge

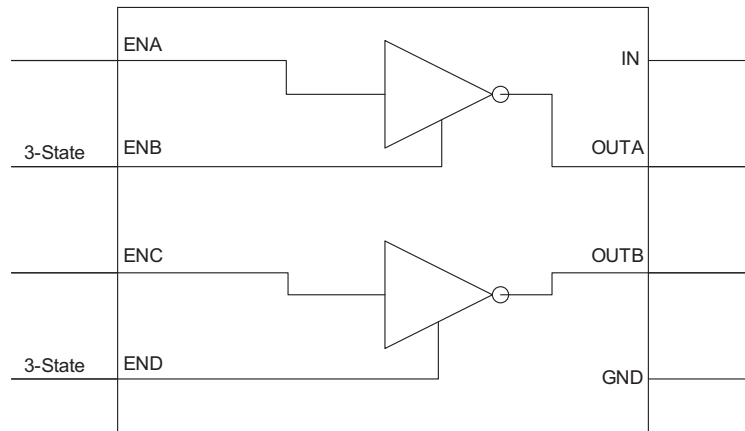


Figure 8: AAT4901-3 Dual Channel High-Speed High-Current 3-State Line Driver.

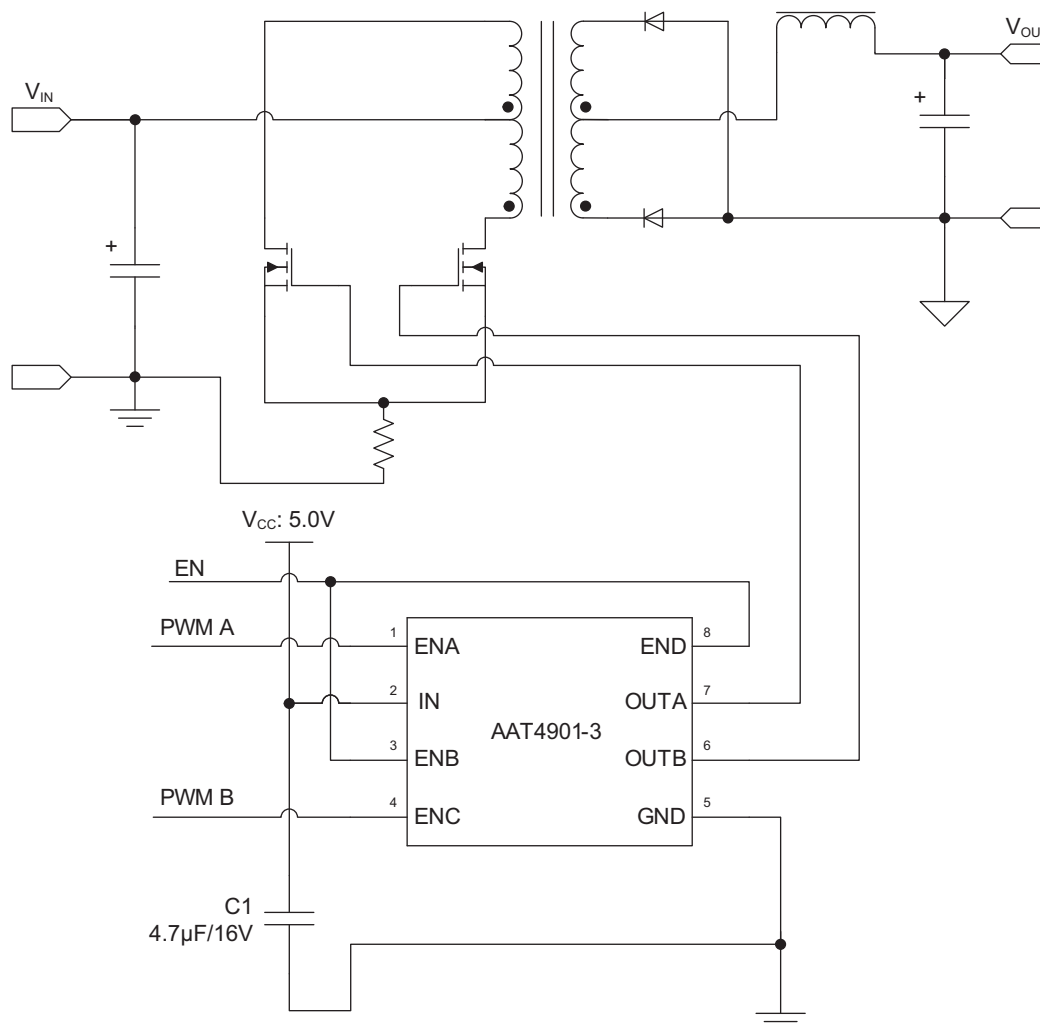


Figure 9: Push-Pull Topology MOSFET Driver with AAT4901.

AAT4901

Buffered Power Full Bridge

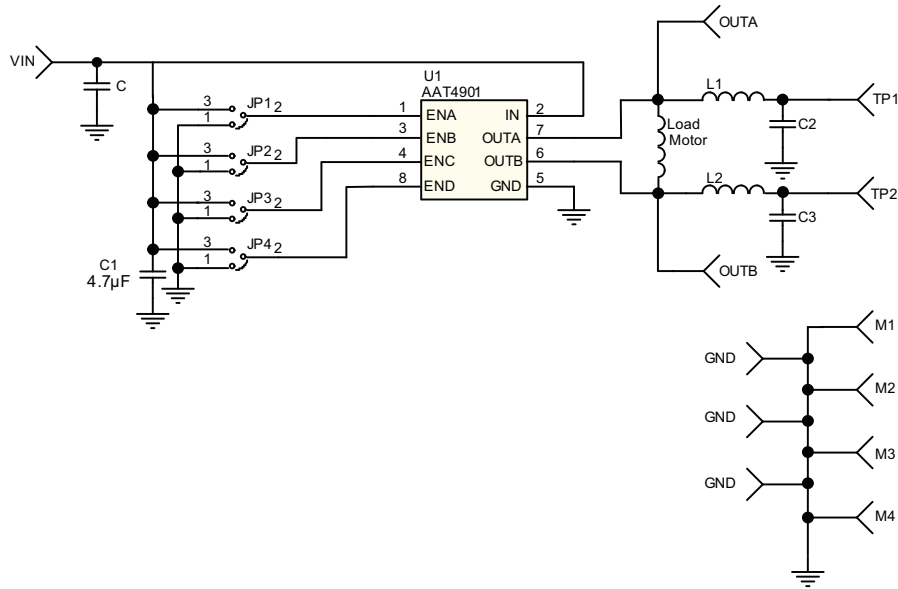


Figure 10: AAT4901 Evaluation Board Schematic.

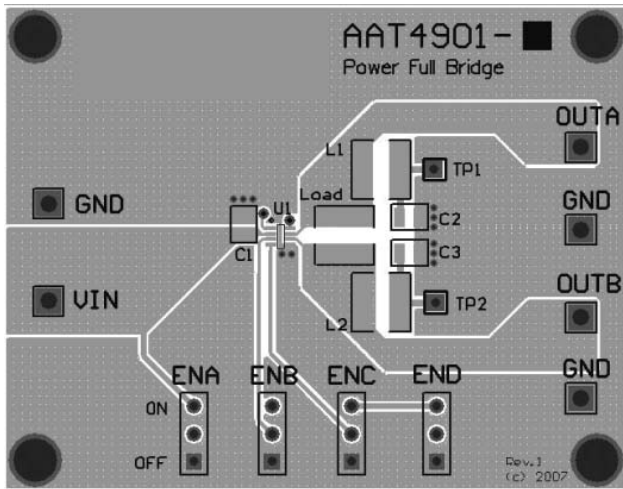


Figure 11: AAT4901 Evaluation Board Top Side Layout.

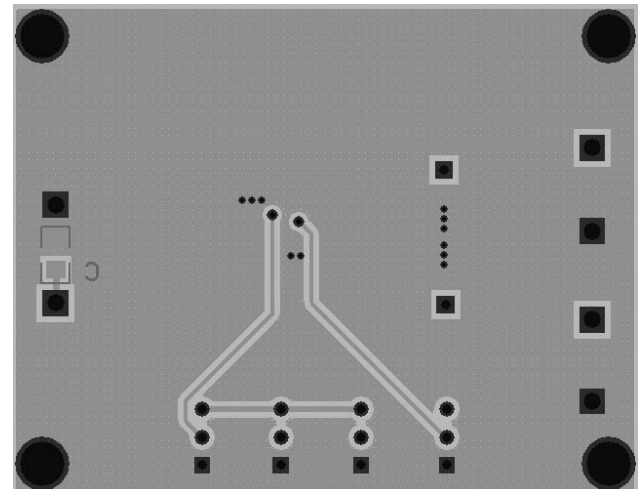


Figure 12: AAT4901 Evaluation Board Bottom Side Layout.

Component	Part Number	Description	Manufacturer
U1	AAT4901	Buffered Power Full Bridge	Skyworks
C1	GRM21BR61C475KA88	Cap Ceramic 4.7μF 0805 X5R 16V 10%	Murata
C2, C3	Not Populated		
L1, L2	Not Populated		
Load	Not Populated		

Table 1: AAT4901 Evaluation Board Bill of Materials.

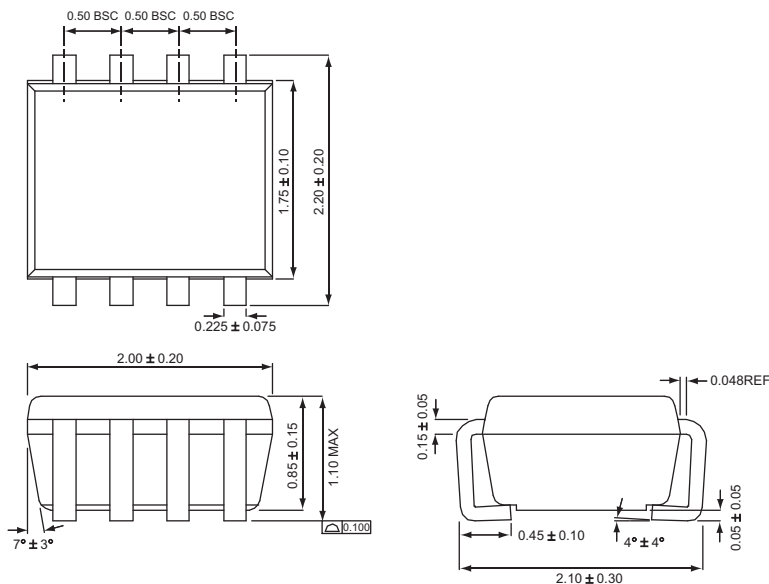
Ordering Information

Package	Marking ¹	Part Number (Tape and Reel) ²
SC70JW-8	D2RYY	AAT49011JS-1-T1
SC70JW-8	D3RYY	AAT49011JS-2-T1
SC70JW-8	D4RYY	AAT49011JS-3-T1
SC70JW-8	2SRYY	AAT49011JS-4-T1



Skyworks Green™ products are compliant with all applicable legislation and are halogen-free.

For additional information, refer to *Skyworks Definition of Green™*, document number SQ04-0074.

Package Information**SC70JW-8**

All measurements in millimeters.

1. XXGY: XX denotes Device code, G denotes assembly code, and YY denotes date code.
2. Sample stock is generally held on part numbers listed in **BOLD**.

Copyright © 2012-2014 Skyworks Solutions, Inc. All Rights Reserved.

Information in this document is provided in connection with Skyworks Solutions, Inc. ("Skyworks") products or services. These materials, including the information contained herein, are provided by Skyworks as a service to its customers and may be used for informational purposes only by the customer. Skyworks assumes no responsibility for errors or omissions in these materials or the information contained herein. Skyworks may change its documentation, products, services, specifications or product descriptions at any time, without notice. Skyworks makes no commitment to update the materials or information and shall have no responsibility whatsoever for conflicts, incompatibilities, or other difficulties arising from any future changes.

No license, whether express, implied, by estoppel or otherwise, is granted to any intellectual property rights by this document. Skyworks assumes no liability for any materials, products or information provided hereunder, including the sale, distribution, reproduction or use of Skyworks products, information or materials, except as may be provided in Skyworks Terms and Conditions of Sale.

THE MATERIALS, PRODUCTS AND INFORMATION ARE PROVIDED "AS IS" WITHOUT WARRANTY OF ANY KIND, WHETHER EXPRESS, IMPLIED, STATUTORY, OR OTHERWISE, INCLUDING FITNESS FOR A PARTICULAR PURPOSE OR USE, MERCHANTABILITY, PERFORMANCE, QUALITY OR NON-INFRINGEMENT OF ANY INTELLECTUAL PROPERTY RIGHT; ALL SUCH WARRANTIES ARE HEREBY EXPRESSLY DISCLAIMED. SKYWORKS DOES NOT WARRANT THE ACCURACY OR COMPLETENESS OF THE INFORMATION, TEXT, GRAPHICS OR OTHER ITEMS CONTAINED WITHIN THESE MATERIALS. SKYWORKS SHALL NOT BE LIABLE FOR ANY DAMAGES, INCLUDING BUT NOT LIMITED TO ANY SPECIAL, INDIRECT, INCIDENTAL, STATUTORY, OR CONSEQUENTIAL DAMAGES, INCLUDING WITHOUT LIMITATION, LOST REVENUES OR LOST PROFITS THAT MAY RESULT FROM THE USE OF THE MATERIALS OR INFORMATION, WHETHER OR NOT THE RECIPIENT OF MATERIALS HAS BEEN ADVISED OF THE POSSIBILITY OF SUCH DAMAGE.

Skyworks products are not intended for use in medical, lifesaving or life-sustaining applications, or other equipment in which the failure of the Skyworks products could lead to personal injury, death, physical or environmental damage. Skyworks customers using or selling Skyworks products for use in such applications do so at their own risk and agree to fully indemnify Skyworks for any damages resulting from such improper use or sale.

Customers are responsible for their products and applications using Skyworks products, which may deviate from published specifications as a result of design defects, errors, or operation of products outside of published parameters or design specifications. Customers should include design and operating safeguards to minimize these and other risks. Skyworks assumes no liability for applications assistance, customer product design, or damage to any equipment resulting from the use of Skyworks products outside of stated published specifications or parameters.

Skyworks, the Skyworks symbol, and "Breakthrough Simplicity" are trademarks or registered trademarks of Skyworks Solutions, Inc., in the United States and other countries. Third-party brands and names are for identification purposes only, and are the property of their respective owners. Additional information, including relevant terms and conditions, posted at www.skyworksinc.com, are incorporated by reference.