

SCRs
1.6 Amp, Planar

AD100-AD104
AD107-AD111
AD114-AD118

FEATURES

- Maximum Gate Trigger Current: 2, 20 or 200µA
- Tight Gate Trigger Voltage Range: .44 to .6V
- Voltage Ratings: to 400V
- Specified for dv/dt and Switching Time

DESCRIPTION

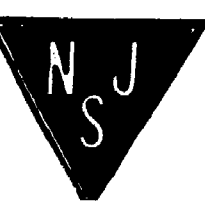
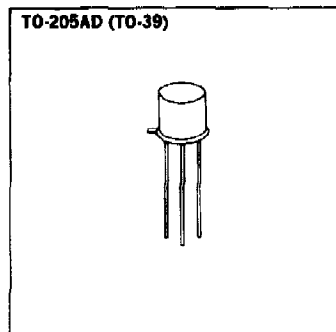
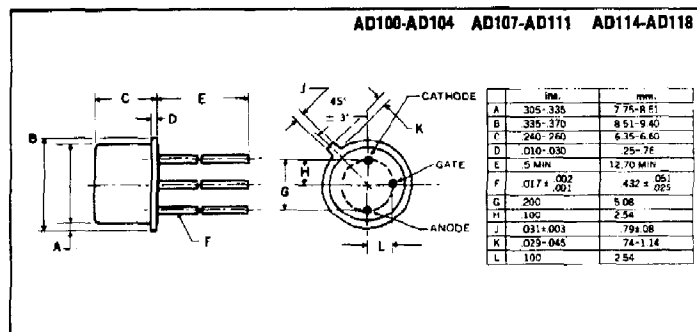
This data sheet describes Microsemi's AD Series 1.6A SCRs designed for medium-current control and sensing applications. Units are available in a complete range of blocking voltages from 60 to 400 volts.

The AD100 series offers a maximum gate trigger current of 2.0 microamps making it the most sensitive device of its type. The AD107 series has a maximum I_{GT} of 20µA while this parameter is specified at 200µA for the AD114 series.

ABSOLUTE MAXIMUM RATINGS

	AD100 AD107 AD114	AD101 AD108 AD115	AD102 AD109 AD116	AD103 AD110 AD117	AD104 AD111 AD118
Repetitive Peak Off-State Voltage, V_{DRM}	60V	100V	200V	300V	400V
Repetitive Peak Reverse Voltage, V_{RRM}	60V	100V	200V	300V	400V
Non-Repetitive Peak Reverse Voltage, V_{RSM}	80V	150V	300V	400V	500V
Non-Repetitive Peak Off-State Voltage, V_{DSM}			500V		
D.C. On-State Current, I_T					
75°C Ambient			450mA		
85°C Case			1.6A		
Repetitive Peak On-State Current, I_{TRM}			up to 30A		
Peak One Cycle Surge (Non-Rep.) On-State Current, I_{TSM}			15A		
Peak Gate Current, I_{GM}			250mA		
Average Gate Current, $I_{G(AV)}$			25mA		
Reverse Gate Voltage, V_{GR}			6V		
Operating and Storage Temperature Range			-65°C to +150°C		

MECHANICAL SPECIFICATIONS



NJ Semi-Conductors reserves the right to change test conditions, parameter limits and package dimensions without notice. Information furnished by NJ Semi-Conductors is believed to be both accurate and reliable at the time of going to press. However NJ Semi-Conductors assumes no responsibility for any errors or omissions discovered in its use. NJ Semi-Conductors encourages customers to verify that datasheets are current before placing orders.

ELECTRICAL SPECIFICATIONS (at 25°C unless noted)

Parameter	Symbol	Min.	Typical	Max.	Units	Test Conditions
SUBGROUP 1						
Visual & Mechanical						
SUBGROUP 2 (25°C TESTS)						
Off-State Current	I_{DRM}	—	.01	0.1	μA	$R_{GK} = 1K, V_{DRM} = \text{Rating}$
Reverse Current	I_{RRM}	—	.01	0.1	μA	$R_{GK} = 1K, V_{RRM} = \text{Rating}$
Reverse Gate Current	I_{GR}	—	0.1	0.2	μA	$V_{GR} = 2V$
Gate Trigger Current	I_{GT}	—	—	—	—	$R_{GS} = 10K, V_D = 5V$
AD100-104		—	0.2	2.0	μA	
AD107-111		—	2.0	20	μA	
AD114-118		—	20	200	μA	
Gate Trigger Voltage	V_{GT}	0.44	0.52	0.60	V	$R_{GS} = 100\Omega, V_D = 5V$
On-State Voltage	V_T	—	1.1	1.5	V	$I_T = 1.0 \text{ Amp (pulse)}$
Holding Current	I_H	0.3	0.5	2.0	mA	$R_{GK} = 1K$
SUBGROUP 3 (25°C TESTS)						
On-State Voltage-Critical Rate of Rise	dv/dt	50	100	—	V/ μS	$R_{GK} = 1K, V_D = 30V$
Gate Trigger-on Pulse Width	$t_{pg}(\text{on})$	—	0.5	2.0	μS	$I_G = 10mA, I_T = 1A, V_D = 30V$
Delay Time	t_d	—	0.6	—	μS	$I_G = 10mA, I_T = 1A, V_D = 30V$
Rise Time	t_r	—	0.4	—	μS	$I_G = 10mA, I_T = 1A, V_D = 30V$
Circuit Commutated Turn-off Time	t_q	—	20	50	μS	$I_T = 1A, I_R = 1A, R_{GK} = 1K$
SUBGROUP 4 (125°C TESTS)						
Off-State Current	I_{DRM}	—	10	100	μA	$R_{GK} = 1K, V_{DRM} = \text{Rating}$
Reverse Current	I_{RRM}	—	30	100	μA	$R_{GK} = 1K, V_{RRM} = \text{Rating}$
Gate Trigger Voltage	V_{GT}	0.15	0.2	—	V	$R_{GS} = 100\Omega, V_D = 5V$
Holding Current	I_H	0.2	0.4	1.5	mA	$R_{GK} = 1K$

Note: Blocking voltage ratings apply over the full operating temperature range, provided the gate is connected to the cathode through a resistor, 1000 ohms or smaller, or other adequate bias is used.

