

AN5532

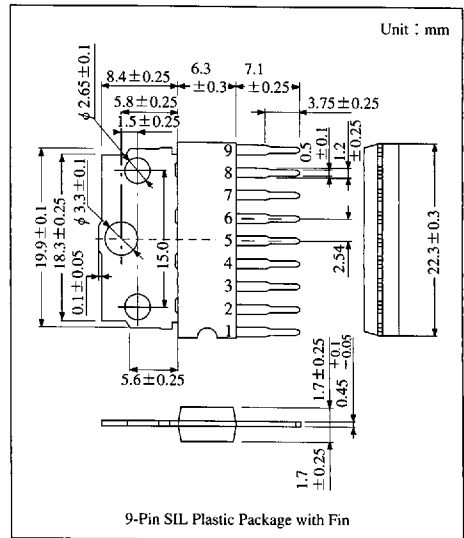
TV Vertical Deflection Output IC

Overview

The AN5532 is an integrated circuit designed for TV vertical deflection output circuit. Combining with the deflection signal processing IC, the vertical output circuit design becomes easy.

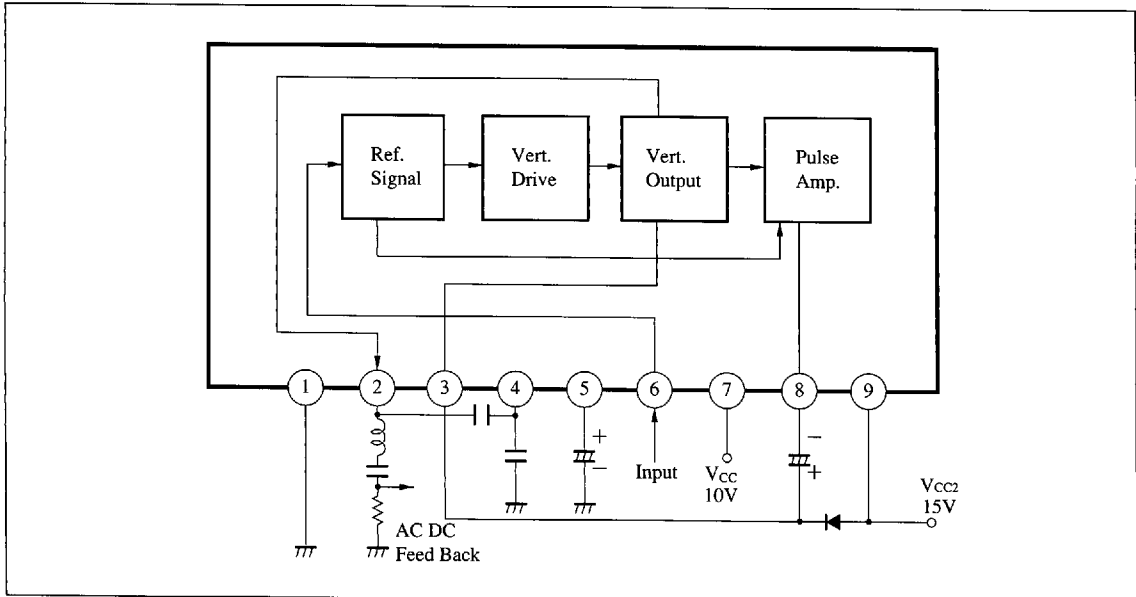
Features

- Low power consumption, direct deflection-coil driving capability (Flyback voltage of two times supply voltage is supplied during flyback period only)
- Built-in comparator in input stage
- Supply voltage range : 12 to 24V



ICs for TV

Block Diagram



6932852 0014340 812

Panasonic