

# RJ45 1000Base-T, 1X2, Tab Up w/ LEDs (Green, Green), Extended Temperature

**ARJ-202B**

**RoHS/RoHS II Compliant**



31.20 x 13.55 x 25.45mm

## FEATURES:

- Compliant with IEEE802.3 standard
- Tab up RJ45 Jack 1 X 2
- High performance for maximum EMI suppression
- 350 $\mu$ H minimum OCL with 8mA bias current
- RoHS peak wave solder temperature 260°C

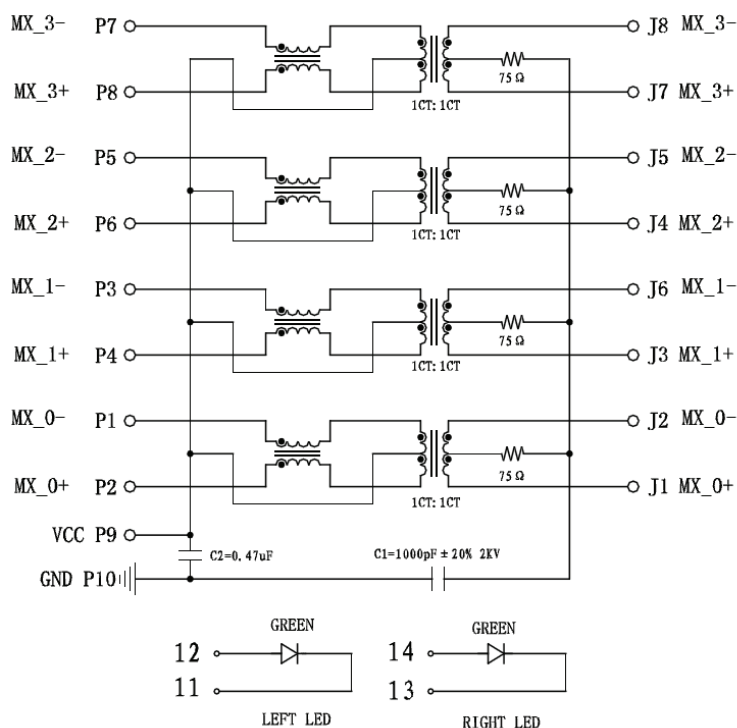
## APPLICATIONS:

- Support 1000 Base-T AutoMDIX application with LEDs
- Wide temperature range(-25°C~70°C)
- Ethernet Switches, Hubs, LAN-on-Motherboard(LOM) and ADSL
- Suitable CAT 3, 5e & 6 cable and UTP
- Provides signal conditioning, EMI suppression and signal isolation

## STANDARD SPECIFICATIONS

Parameters	Minimum	Typical	Maximum	Units	Notes
Operating Temperature	-40		+85	°C	
Storage Temperature	-40		+85	°C	
Turn Ratio ( $\pm 3\%$ )	1CT:1CT				Tx
	1CT:1CT				Rx
Inductance (OCL)	350			$\mu$ H	100KHz/0.1V@8mA
Insertion Loss			-1.0	dB	1-100MHz
Return Loss	-18			dB	1-10MHz
	-16				10-30MHz
	-14				30-60MHz
	-12				60-80MHz
	-10				80-100MHz
Cross Talk	-40			dB	1-30MHz
	-35				30-60MHz
	-30				60-100MHz
CMR	-35			dB	1-100MHz
Hi-Pot	1500Vrms/1mA/1Sec				Pri to Sec

## SCHEMATICS



# RJ45 1000Base-T, 1X2, Tab Up w/ LEDs (Green, Green), Extended Temperature

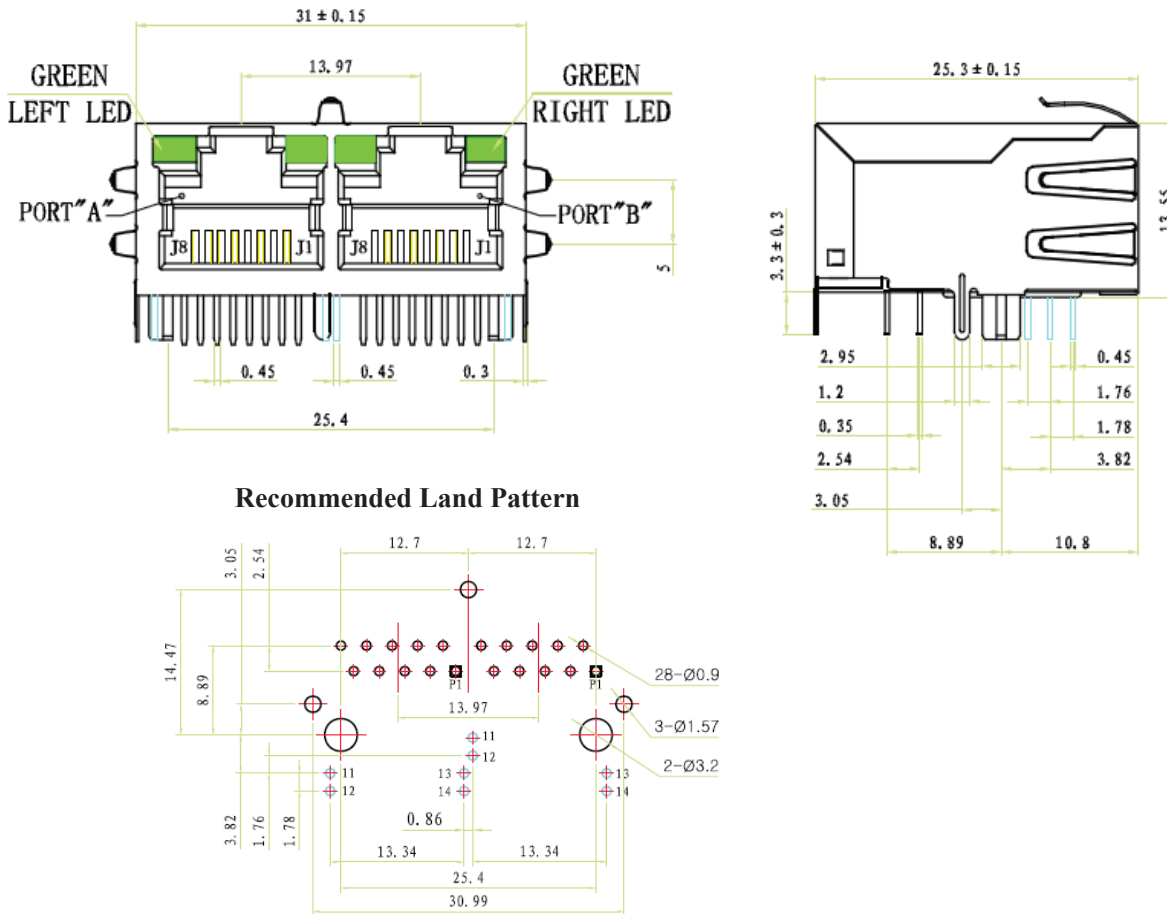
**ARJ-202B**

**RoHS/RoHS II Compliant**



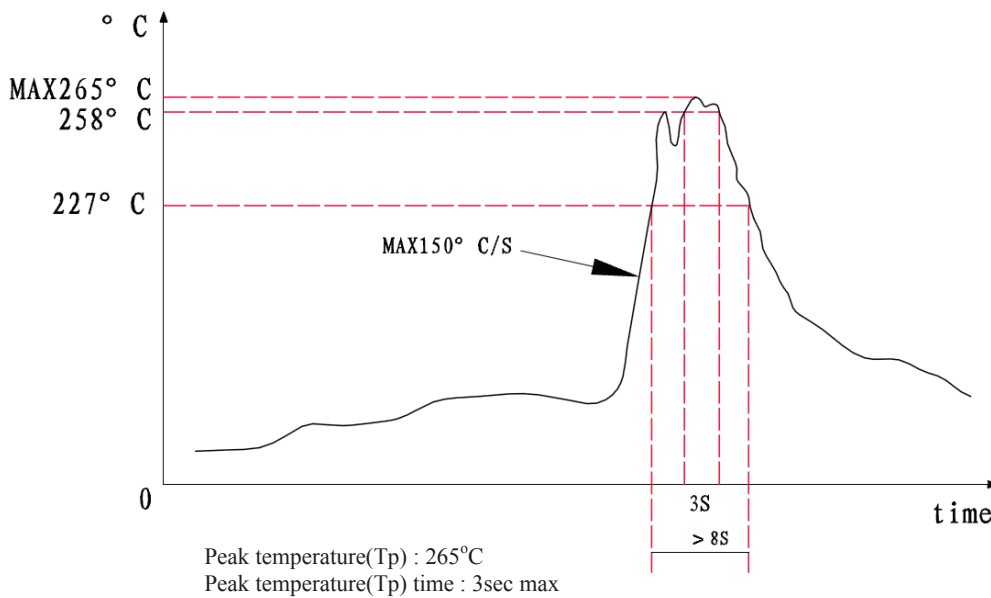
31.20 x 13.55 x 25.45mm

## MECHANICAL DIMENSIONS



**Dimensions: mm**

## DIP WAVE SOLDERING PROFILE



# RJ45 1000Base-T, 1X2, Tab Up w/ LEDs (Green, Green), Extended Temperature

**ARJ-202B**

**RoHS/RoHS II Compliant**

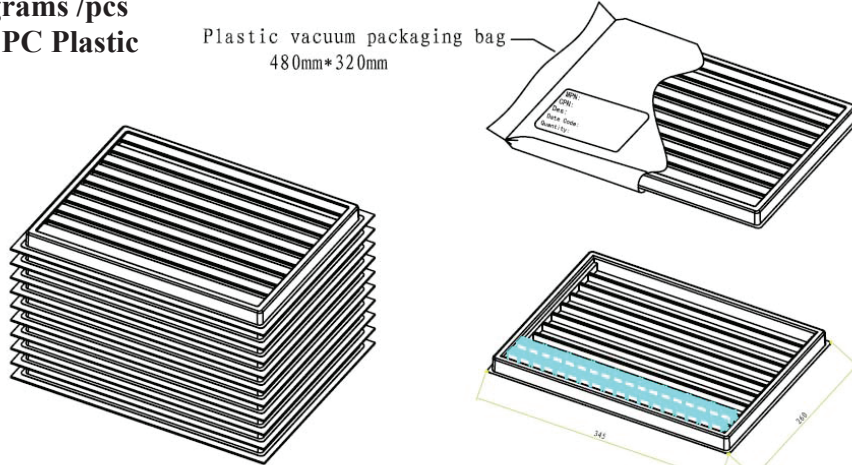


31.20 x 13.55 x 25.45mm

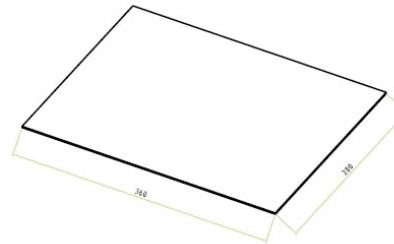
## PACKING:

**Packing:** 90 pcs/tray  
**Weight:** 12.75 grams /pcs  
**Packaging Material:** PC Plastic

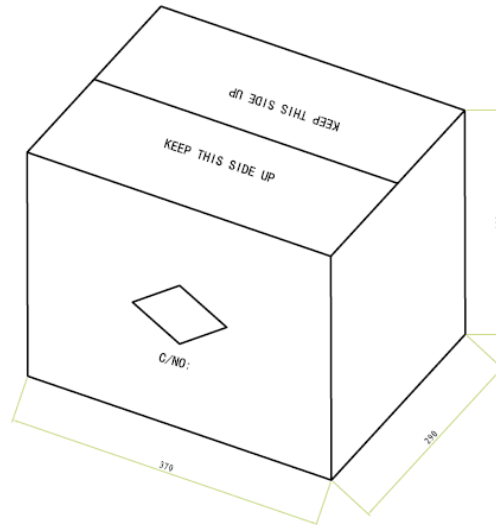
Plastic vacuum packaging bag  
480mm\*320mm



1. Inner Package: L=345mm; W=260mm; H=20mm;
2. There are 10 slot grids on the tray and There 9 Pcs In the slot grids.
3. Paste ROHS label and barcode label.
4. Material: PC Plastic.



**Outer carton unit (optional): 900 pcs/ 10 trays/box**



1. Package Box : L=370mm; W=290; H=300mm;
2. Package Box contain 10 PCS inner package Trays.
3. Material: US CARD+kraft papers.
4. There are 900 Pcs products in the Package Box.

**Dimensions: cm**

**ATTENTION:** Abracon Corporation's products are COTS – Commercial-Off-The-Shelf products; suitable for Commercial, Industrial and, where designated, Automotive Applications. Abracon's products are not specifically designed for Military, Aviation, Aerospace, Life-dependant Medical applications or any application requiring high reliability where component failure could result in loss of life and/or property. For applications requiring high reliability and/or presenting an extreme operating environment, written consent and authorization from Abracon Corporation is required. Please contact Abracon Corporation for more information.

ABRACON IS  
ISO 9001:2008  
CERTIFIED



2 Faraday, Suite# B | Irvine | CA 92618 **Revised: 07.07.15**

Ph. 949.546.8000 | Fax. 949.546.8001

Visit [www.abracon.com](http://www.abracon.com) for Terms and Conditions of Sale