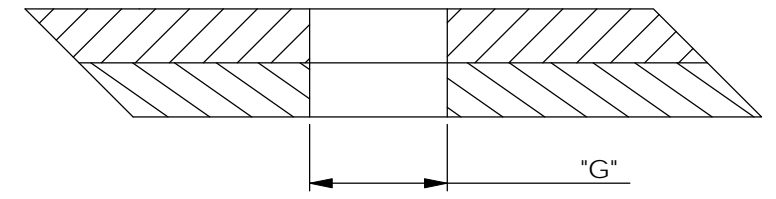
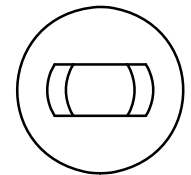
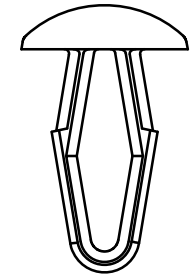
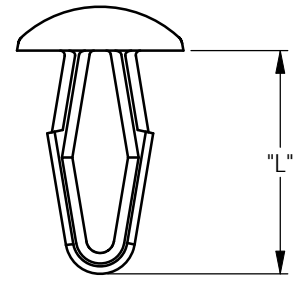
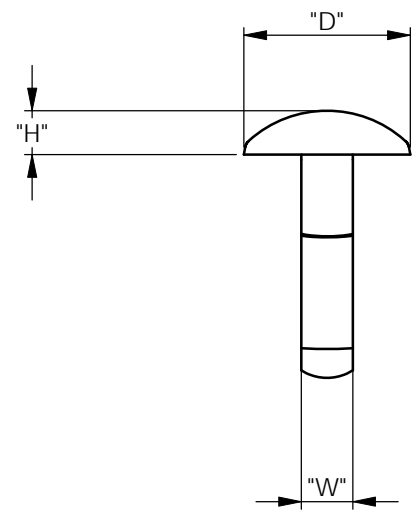


REV.	MODIFICATION.	DATE	DRN
01	ECN2007-080	08/06/07	SF
02	ECN2007-202	15/11/07	NJB
03	CO2010238	16/05/08	SF
04	CO2010544	30/01/09	OW
05	CO2010549	05/02/09	OW
06	CO2010843	20/10/09	OW
07	CO2010953	12/07/10	SF
08	CO2010967	02/08/10	MT



- NOTES:
- 1) ALTERNATE UNITS FOR REFERENCE ONLY
 - 2) PARTS AVAILABLE IN COLOURS BY SPECIAL ORDER. ADD COLOUR SUFFIX TO END OF PART NUMBER. E.G. DF-137-050RD FOR RED.
 - 3) PARTS AVAILABLE IN UV STABILIZED NYLON. TO ORDER, ADD -UVB TO THE END OF THE PART NUMBER.

INFORMATION CONTAINED IN THIS DOCUMENT IS CONFIDENTIAL TO RICHCO INTERNATIONAL Co. Ltd. AND MAY NOT BE DISCLOSED OR REPRODUCED IN WHOLE OR PART WITHOUT THEIR WRITTEN CONSENT.

ACETAL (RMS-14) COLOUR: NATURAL PART No:	FLAME RETARDANT NYLON UL 94 V-0 (RMS-19) COLOUR: NATURAL PART No:	HOLE Ø "G" ±0.05 [±.002]	"T" TOTAL THICKNESS RANGE	"D" ±0.50 [±.020]	"H" ±0.25 [±.010]	"L" REF	"W" REF
DF-137-010	DFV0-137-010	3.2 [.126]	1.0-4.5 [.039-.177]	8.0 [.315]	1.5 [.059]	13.0 [.512]	2.7 [.106]
DF-137-020	DFV0-137-020	3.9 [.153]	1.0-5.0 [.039-.197]	9.0 [.354]	1.6 [.063]	14.0 [.551]	2.9 [.116]
DF-137-030	DFV0-137-030	4.7 [.185]	1.0-5.5 [.039-.216]	10.0 [.394]	1.7 [.067]	15.0 [.590]	3.4 [.134]
DF-137-031	DFV0-137-031	4.7 [.185]	1.0-5.5 [.039-.216]	11.0 [.433]	2.9 [.114]	15.0 [.590]	3.4 [.134]
DF-137-040	DFV0-137-040	6.4 [.252]	1.5-6.5 [.059-.256]	12.0 [.472]	2.0 [.079]	17.0 [.669]	3.9 [.153]
DF-137-050	DFV0-137-050	7.8 [.307]	1.5-7.0 [.059-.275]	14.0 [.551]	2.2 [.087]	19.0 [.748]	4.2 [.166]
DF-137-060	DFV0-137-060	5.5 [.216]	6.0-9.0 [.236-.354]	12.0 [.472]	2.0 [.079]	17.5 [.689]	3.8 [.150]

RICHCO, INC.
WWW.RICHCO-INC.COM

METRIC PRIMARY UNITS:mm
IMPERIAL SECONDARY UNITS:[inches]
GENERAL TOLERANCES ±0.25 [0.010]
UNLESS OTHERWISE STATED
1 DECIMAL PLACE ±0.25
2 DECIMAL PLACES ±0.10
ANGULAR ±1°

THIRD ANGLE

MATERIAL: SEE TABLE				COLOUR: SEE TABLE	
DESCRIPTION: DRIVE FASTENER				PART No: SEE TABLE	
DRG No: 07-052		NPR No:		Mass:(g) 0.4	SHEET SIZE A4
DRN SF	DATE 08/06/07	CHKD NB	DATE 08/06/07	SCALE NTS	SHEET No. 1 OF 1