

Electrical Specifications

1. ANTENNA

Parameters	Specification	Unit
Frequency Range	1575.42 ± 1.023	MHz
VSWR, max	1.5	-
Bandwidth, min	5	MHz
Impedance	50	Ω
Gain (based on 70x70mm ground plane)	-3.0	dBic
Polarization	RHCP	-
Operating Temperature Range	-25 ~ +72	°C
Storage Temperature Range	-45 ~ +85	°C

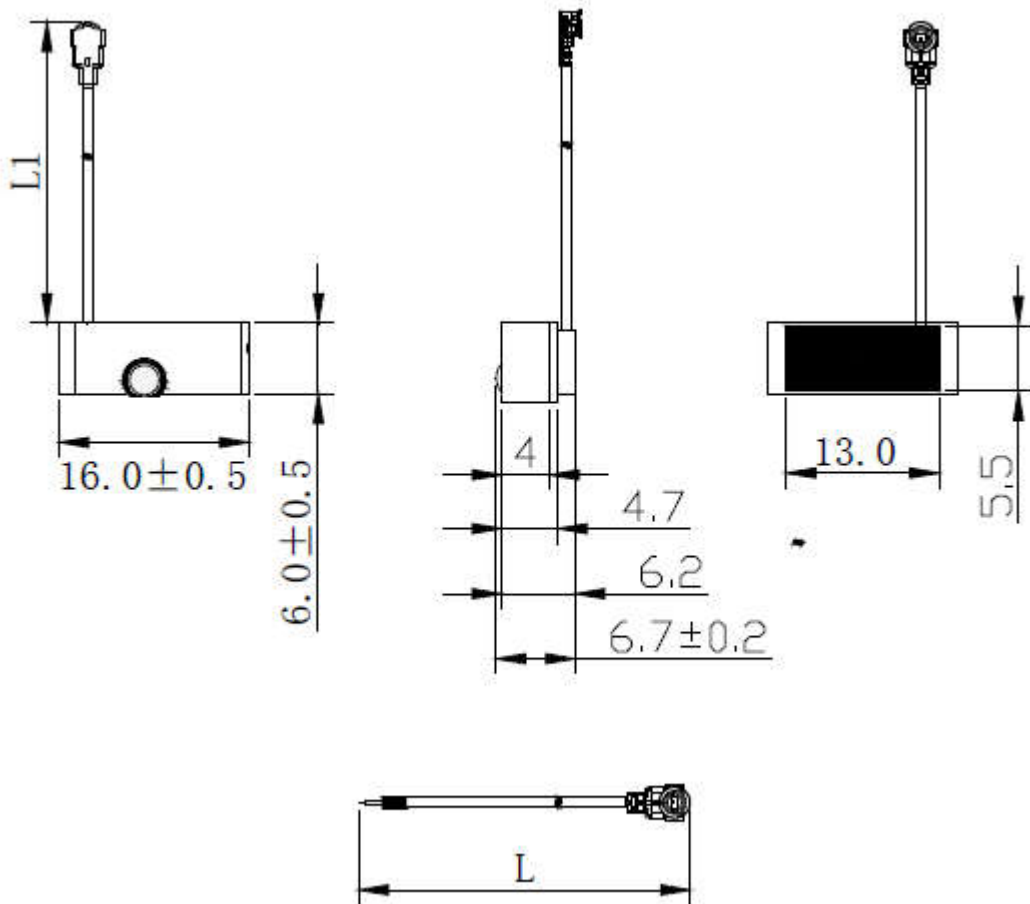
2. LNA

Parameters	Specification	Unit
Frequency Range	1575.42 ± 1.023	MHz
DC Voltage	3.0 ± 0.3	V
Gain	18 ± 3	dB
VSWR, max	1.5	-
Noise Figure, max	1.5	dB
DC Current, typ	3.6 ± 1	mA

Antenna System (Including Cable and Connector)

Parameters	Specification	Unit
Frequency Range	1575.42 ± 1.023	V
VSWR, max	1.5	-
Gain	18 ± 3	dB
Cable Diameter	0.81 ± 0.1	mm
Connector	IPEX	-

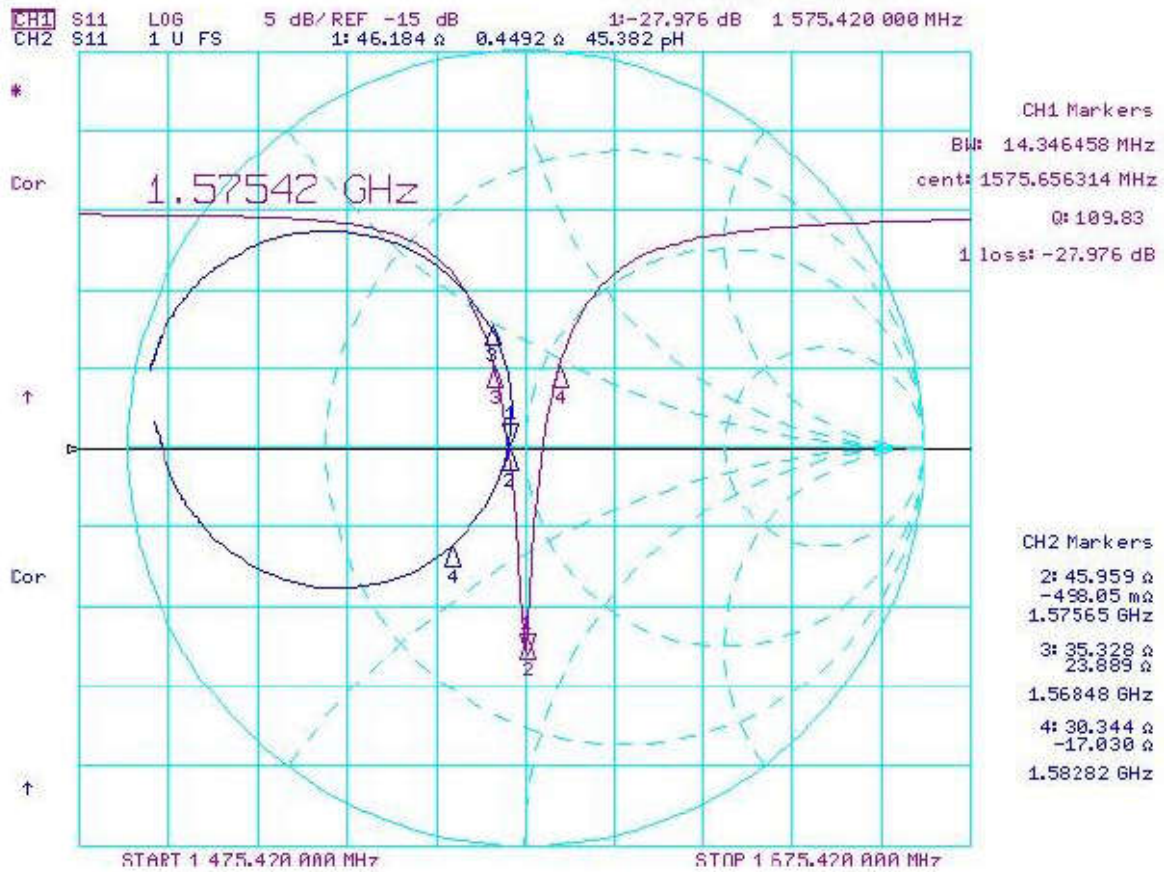
Mechanical Characteristics

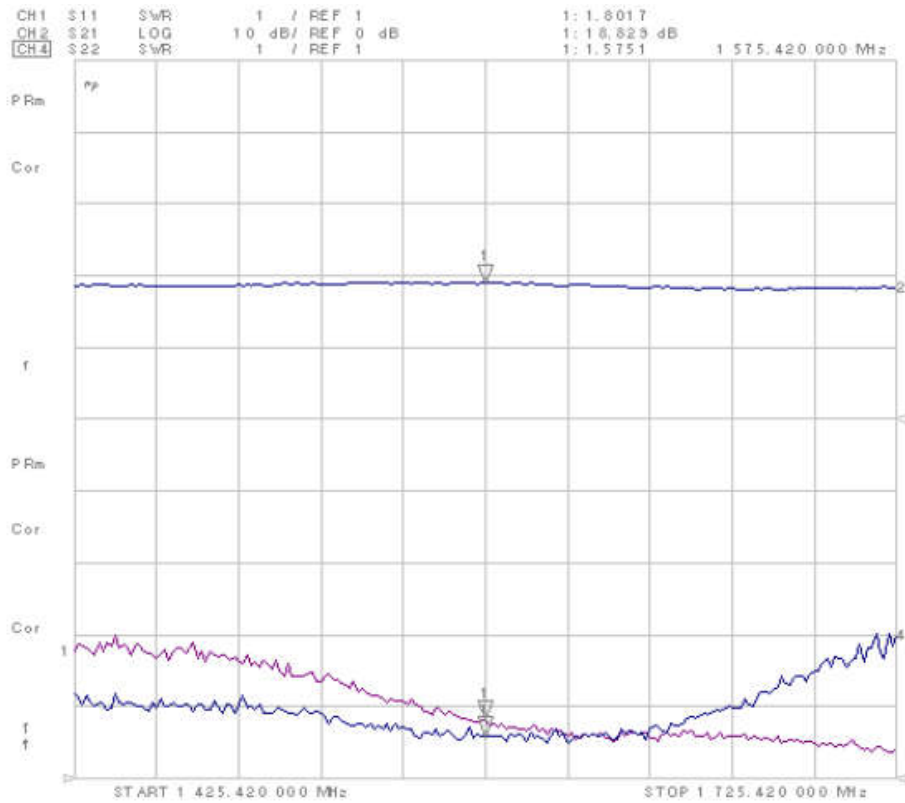


$L = 25 \pm 2$ mm
 $L_1 = 21 \pm 2$ mm

Frequency Characteristics

ANTENNA TEST CURVE





May, 2016