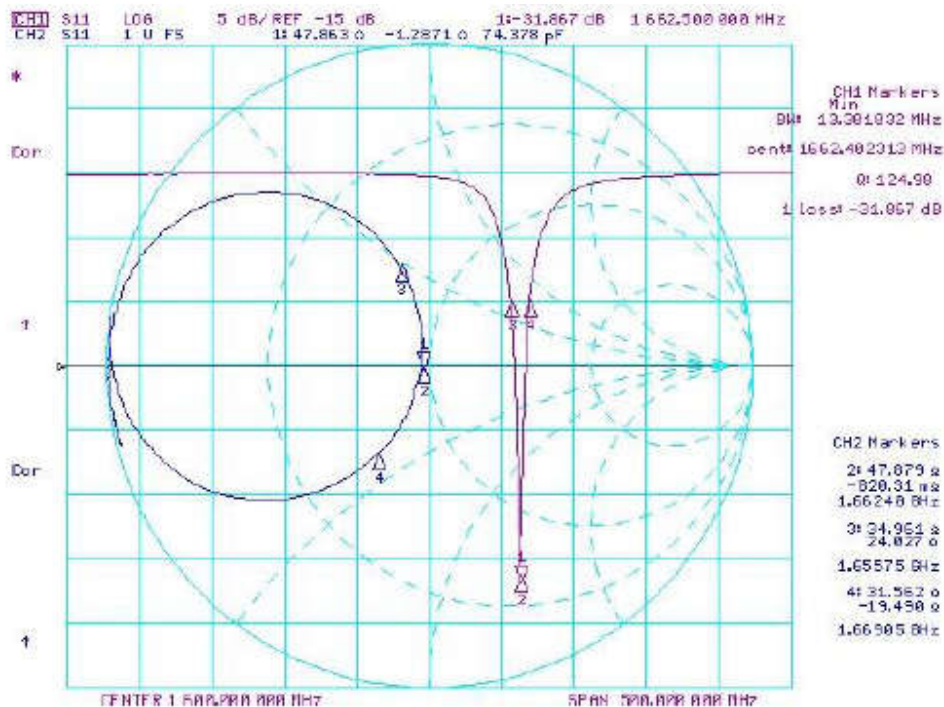


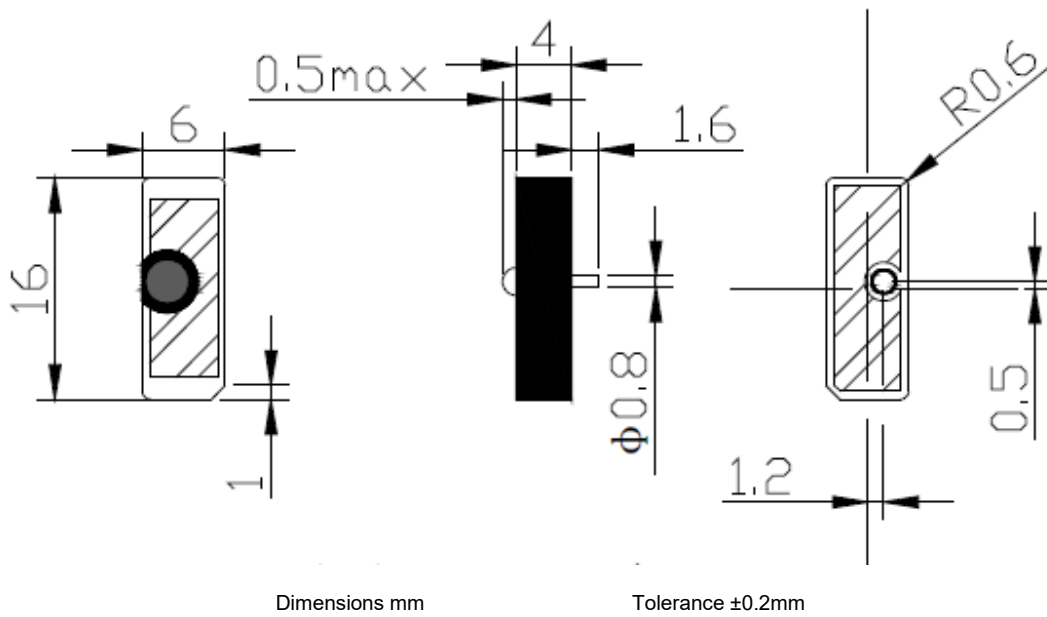
ELECTRICAL SPECIFICATION

SPECIFICATIONS	SPECIFICATIONS	UNIT
Receiving Frequency	1575	MHz
Center Frequency (with YL25 GND Plane)	1662	MHz
Bandwidth (Return Loss \leq -10dB), min	5	MHz
VSWR (in Center Frequency), max	1.5	-
Gain (Zenith), typ	-2	dBi
Polarization	Linear	-
Impedance	50	Ω
Frequency Temperature Coefficient	0 \pm 10	ppm/ $^{\circ}$ C

FREQUENCY CHARACTERISTICS



■ DIMENSIONS



May, 2016