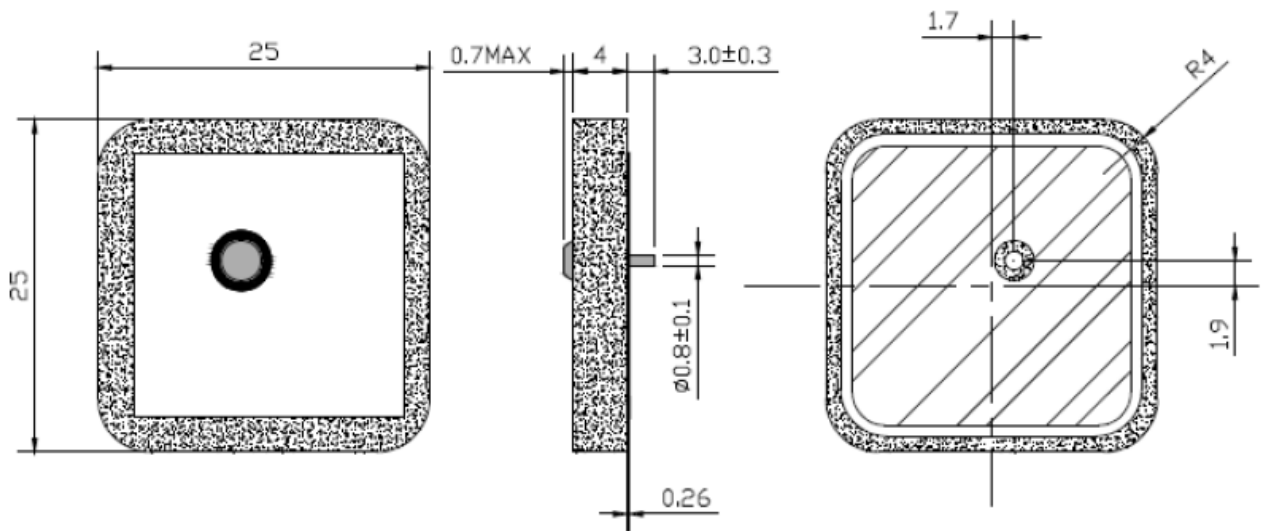


ELECTRICAL SPECIFICATION

SPECIFICATIONS	SPECIFICATIONS	UNIT
Receiving Frequency	1575	MHz
Center Frequency (with 50x50mm GND Plane)	1575	MHz
Bandwidth (Return Loss \leq -10dB), min	5	MHz
VSWR (in Center Frequency), max	1.5	-
Gain (Zenith), typ	4.5	dBi
Axial Ratio, max	5	dB
Polarization	RHCP	-
Impedance	50	Ω
Frequency Temperature Coefficient	0 ± 10	ppm/ $^{\circ}$ C

DIMENSIONS



Dimensions mm

Tolerance \pm 0.2mm

May, 2016