

EXTERIOR ACTIVE PATCH ANTENNA

Page 1 of 3

RPA-GPS-5000-A

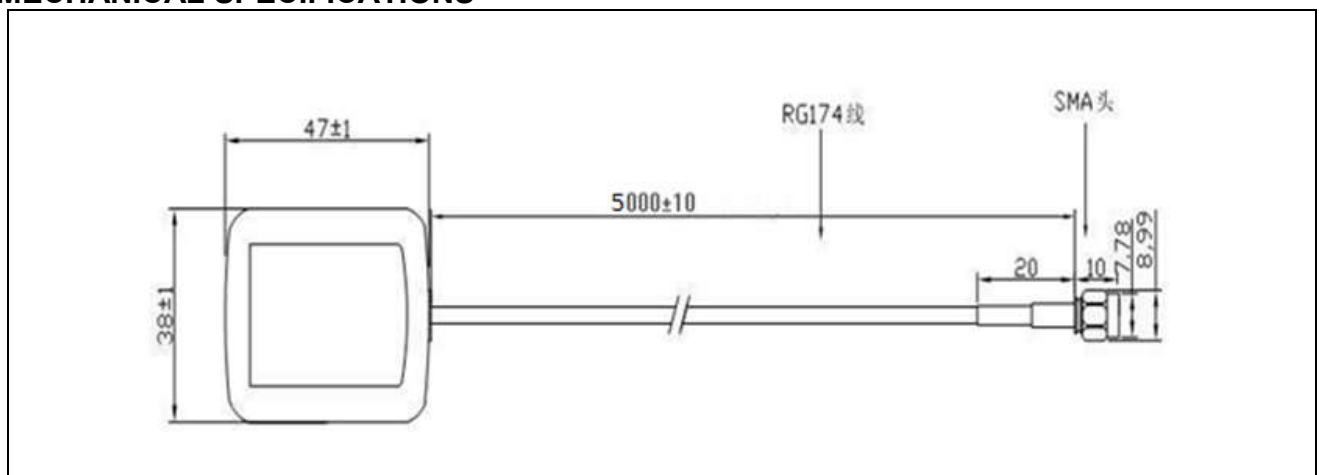
■ SPECIFICATIONS

PARAMETER	VALUE
Frequency Range, MHz	GPS: 1575.42
	GLONASS: 1602
	BeiDou: 1580
VSWR, max	1.5
Impedance	50 Ω
Axial Ratio, max	3 dB
Polarization	RHCP
Supply Voltage	3.3 ~ 5.0 VDC
Supply Current, Max	10 mA
Gain (LNA)	29 dBi ±3dB
Input Power, Max	5 w
Output VSWR, Max	1.8
Cable Length	5000 mm
Cable Type	RG174
Termination	SMA
Weight, max	69 g

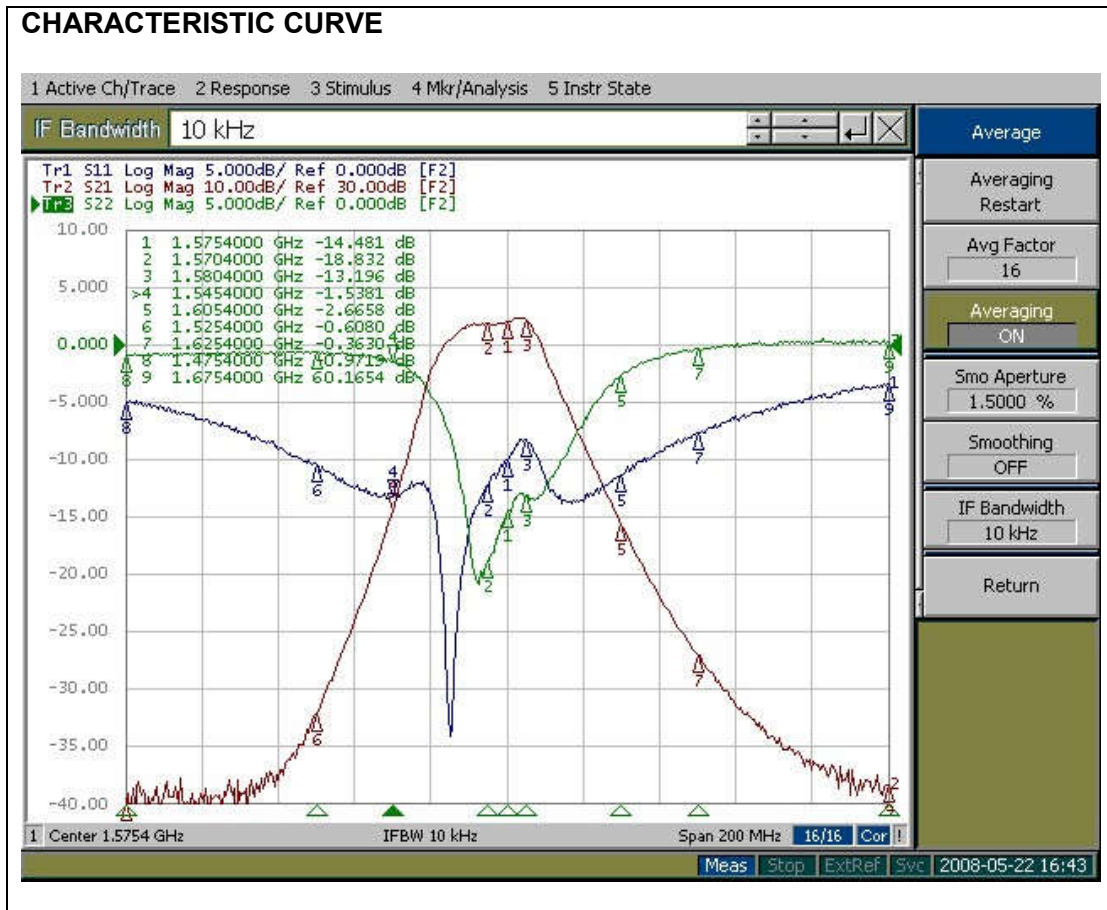


Photo is not of actual part

■ MECHANICAL SPECIFICATIONS



ELECTRICAL CHARACTERISTICS



■ **ENVIRONMENTAL SPECIFICATIONS**

PARAMETER	VALUE
Operating Temperature Range	-40 to +85°C
Storage Temperature Range	-40 to +90°C
Humidity	55% to 75% RH

May, 2016