

# Rocker Switch

## Single and Double Pole

WR Series



### Features

- Lighted and non-lighted
- Rugged design for 2-pole high current applications
- RoHS compliant
- Minimum 10,000 operations mechanical life

### Standard Parts<sup>1</sup>

North America and Europe			Europe		
WRG32F2FBBRLN	WRG32F2FBGLN	WRG32F5FBBNN	WRG32F2BBBNN	WRG32F2FBGEN	WRG32F7BWWKN
WRG32F2FBBBNN	WRG32F2FBRLN		WRG32F2BBGEN	WRG32F2FBREN	WRG32F7BWWNN
			WRG32F2BBGLN	WRG32F7BBBKN	WRG33F2BBBNN
			WRG32F2BBREN	WRG32F7BBBNN	WRG34F2BBBNN

<sup>1</sup>The part number configuration matrix below provides details to the part numbers above.

For configurable part numbers that are not listed above, not listed in your region, or for custom part numbers, contact the factory or your distributor.

### Part Number Breakdown

WRG32F2FBBNN

WR G 3 2 F 2

Series	Contact Rating <sup>2</sup>	Circuitry	Switch Function	Terminal Type	Actuator Type
WR	G	2 Single pole 3 Double pole	2 ON-OFF 3 ON-ON 6 (ON)-ON	A 4.8 mm (0.187") quick connect F 6.4 mm (0.250") quick connect	2 Curved 5 Flat 7 Curved – Dual actuators

<sup>2</sup>See Electrical Specifications section

F B B N N

Actuator Marking	Housing Color	Actuator Color	Lighted	Body Type
B Blank C HI D LO E ON F OFF	B Black W White Y Grey	A Amber B Black C Brown G Green M Yellow R Red U Blue W White Y Grey	N Non-lighted E 250 VAC bulb L 125 VAC bulb H 12 VDC LED <sup>3</sup> G 6 VDC LED <sup>3</sup> F 5 VDC LED <sup>3</sup> K 250 VAC bulb, small round red lens on rocker J 125 VAC bulb, small round red lens on rocker	N No rocker boot

<sup>3</sup>Switches have no agency DC ratings



## Electrical Specifications

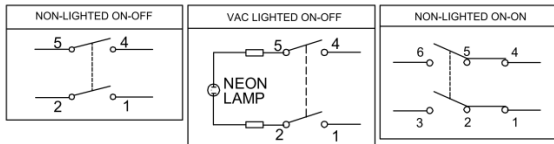
Inrush Rating – 2 position				48 A
Inrush Rating – 3 position				24 A
Dielectric Strength				1000 VAC for 1 minute
Insulation Resistance				100 MΩ min at 500 VDC
Initial Contact Resistance				0.020 Ω max
<b>Electrical Ratings</b>				
<b>Switch Function</b>	<b>EN61058-1</b>	<b>UL Gen Purpose 1054</b>	<b>UL HP</b>	
ALL	16 (4) A 250 V~ T125/55	16 A 125 VAC / 16 A 250 VAC	¼ HP 125 VAC, ¾ HP 250 VAC	
Electrical Life at Rated Load	VDE	UL		
Minimum Operations	10,000	6,000		

UL File No: E23301

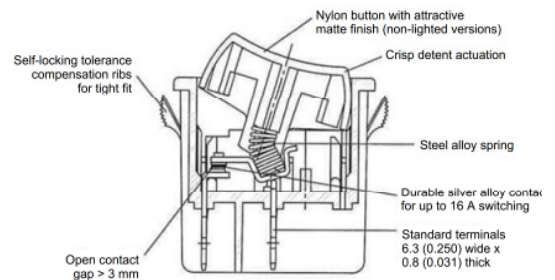
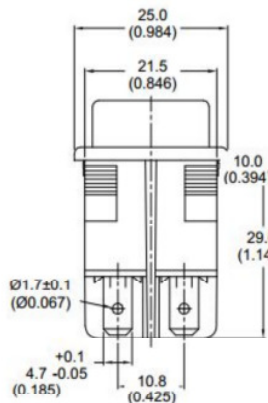
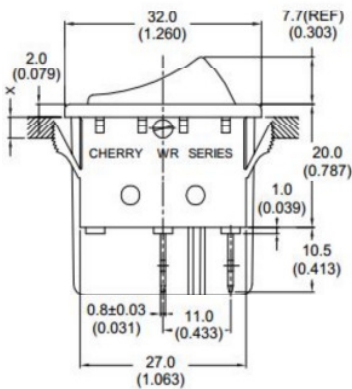
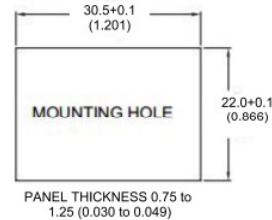
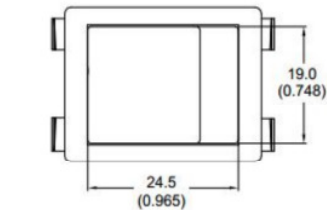
## Material and Environmental Specifications

Actuator, non-lighted	Nylon 66 94V-2
Actuator, lighted	Polycarbonate
Base	Nylon 66 94V-2
Spring	Steel Wire
Contacts	Silver Alloy
Movable Arm	Silver-Plated Copper Alloy
Terminals	Tin-Plated Copper Alloy
Operating Temperature Range - VDE	-20 °C to +65 °C (-4 °F to +149 °F)

## Circuitry and Switch Functions



## Dimensions mm (inches)



NOTE: TOLERANCES ±0.012 (0.3) UNLESS OTHERWISE SPECIFIED